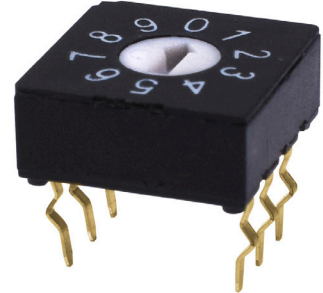


**SERIES:** RDS-1055 | **DESCRIPTION:** ROTARY DIP SWITCH

**FEATURES**

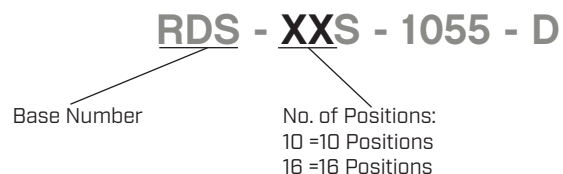
- 10 and 16 positions
- flat actuator
- gold plated terminals
- through hole mounting


**SPECIFICATIONS**

parameter	conditions/description	min	typ	max	units
rated voltage	switching non-switching			24 50	Vdc Vdc
rated current	switching non-switching			25 100	mA mA
withstanding voltage	for 1 minute		250		Vac
contact resistance	initial after life test			50 100	mΩ mΩ
insulation resistance	at 250 Vdc	100			MΩ
operating torque				500	gf*cm
dial travel	continuous rotation		360		degrees
operating temperature		-40		85	°C
storage temperature		-40		85	°C
life		10,000			steps
flammability rating	UL94V-0				
RoHS	yes				

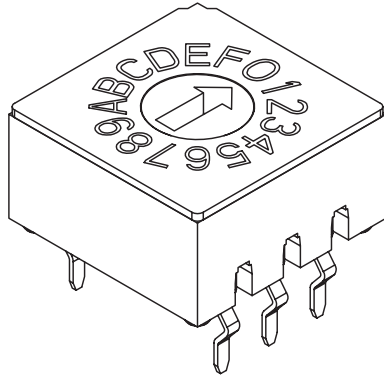
**SOLDERABILITY**

parameter	conditions/description	min	typ	max	units
hand soldering	for maximum 3 seconds	315	320	325	°C
wave soldering	for maximum 5 seconds	240	250	260	°C

**PART NUMBER KEY**


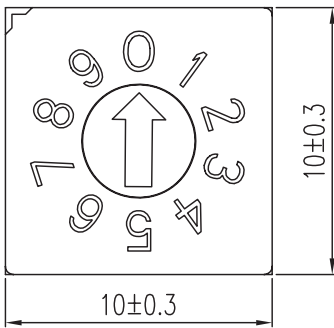
## MECHANICAL DRAWING

units: mm  
 tolerance:  
 $X \leq 0.5$ :  $\pm 0.25$  mm  
 $0.5 < X \leq 3.0$ :  $\pm 0.15$  mm  
 $3.0 < X \leq 6.0$ :  $\pm 0.20$  mm  
 $6.0 < X \leq 30.0$ :  $\pm 0.25$  mm  
 $30.0 < X \leq 120.0$ :  $\pm 0.30$  mm  
 $120.0 < X \leq 400.0$ :  $\pm 0.50$  mm  
 $X > 400.0$ :  $\pm 0.80$  mm  
 unless otherwise noted

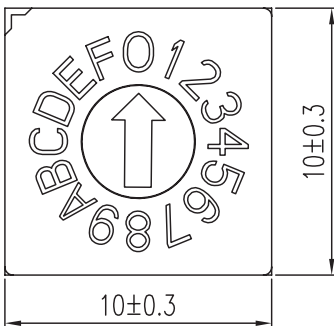


ITEM	DESCRIPTION	MATERIAL	PLATING/COLOR
1	dial	PA9T (UL94V-0)	gray
2	housing	PA9T (UL94V-0)	black
3	base	PA9T (UL94V-0)	black
4	terminals	copper alloy	gold

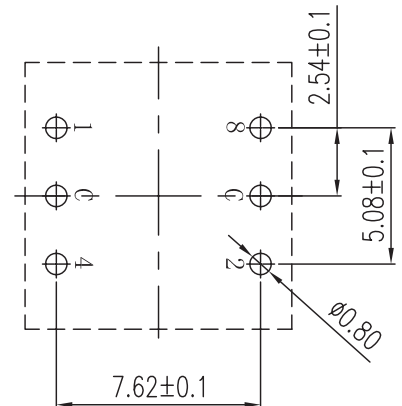
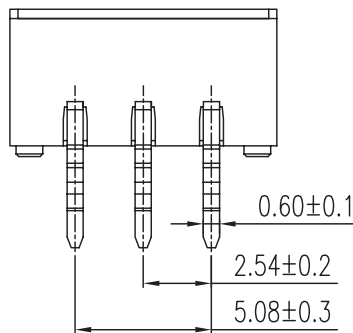
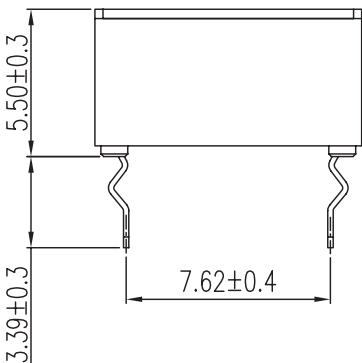
10 POSITION



16 POSITION



ON ○						
OFF ●		CODE				
TYPE	POS	1	2	4	8	
10 STEP	0	●	●	●	●	
	1	○	●	●	●	
	2	●	○	●	●	
	3	○	○	●	●	
	4	●	●	○	●	
	5	○	●	○	●	
	6	●	○	○	●	
	7	○	○	○	●	
	8	●	●	●	○	
	9	○	●	●	○	
16 STEP	A	●	○	●	○	
	B	○	○	●	○	
	C	●	●	○	○	
	D	○	●	○	○	
	E	●	○	○	○	
	F	○	○	○	○	



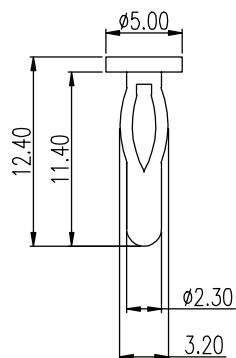
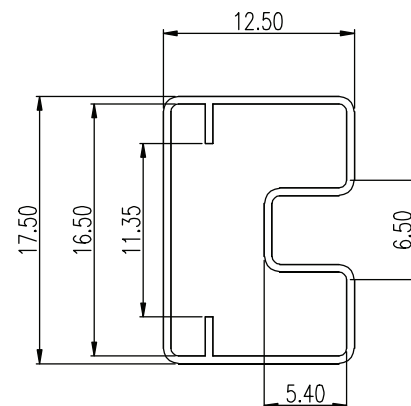
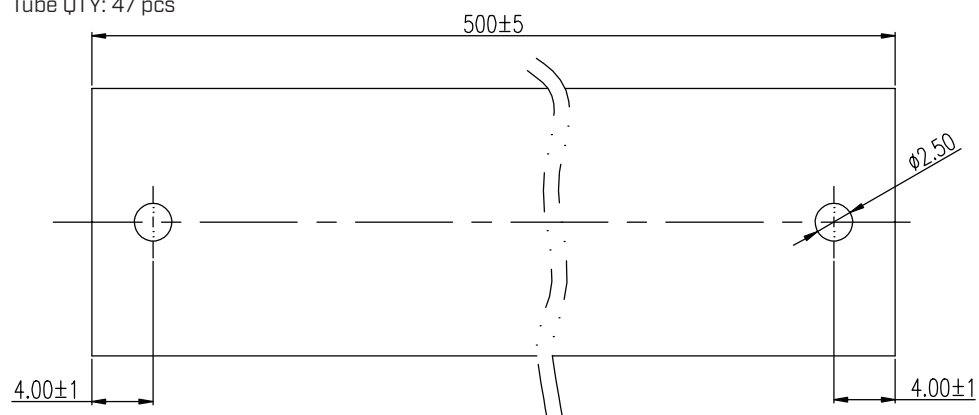
Recommended PCB Layout  
Top View

## PACKAGING

units: mm

Tube Size: 17.50 x 12.50 x 500 mm

Tube QTY: 47 pcs



## REVISION HISTORY

rev.	description	date
1.0	initial release	05/21/2020
1.01	logo, datasheet style update	08/05/2022

The revision history provided is for informational purposes only and is believed to be accurate.



CUI Devices offers a one (1) year limited warranty. Complete warranty information is listed on our website.

CUI Devices reserves the right to make changes to the product at any time without notice. Information provided by CUI Devices is believed to be accurate and reliable. However, no responsibility is assumed by CUI Devices for its use, nor for any infringements of patents or other rights of third parties which may result from its use.

CUI Devices products are not authorized or warranted for use as critical components in equipment that requires an extremely high level of reliability. A critical component is any component of a life support device or system whose failure to perform can be reasonably expected to cause the failure of the life support device or system, or to affect its safety or effectiveness.

[cuidevices.com](http://cuidevices.com)