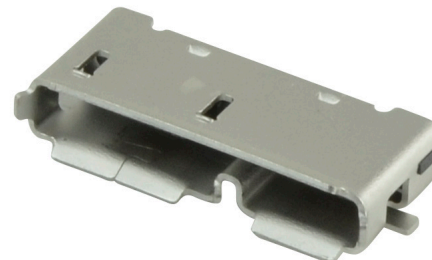


MODEL: UJ3-MIABH-1-SMT | **DESCRIPTION:** USB RECEPTACLE

FEATURES

- USB micro AB type jack
- horizontal orientation
- surface mount
- USB 3.2 Gen 1



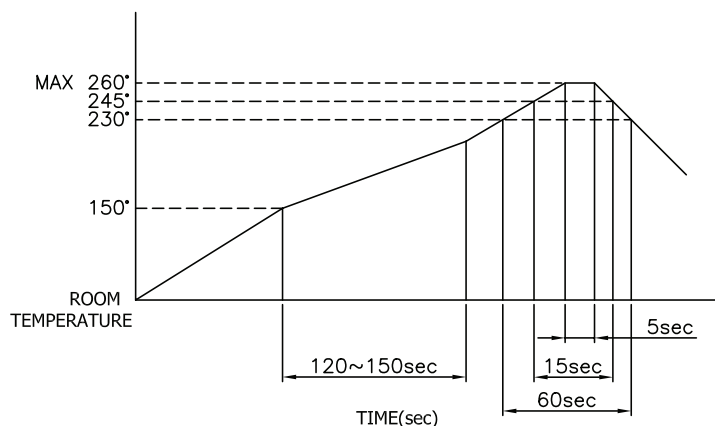
SPECIFICATIONS

parameter	conditions/description	min	typ	max	units
USB standard	USB 3.2 Gen 1				
rated input voltage				30	Vac
rated input current				1.8	A
contact resistance ²	between terminals and mating plug			30	mΩ
insulation resistance		100			MΩ
voltage withstand	for 1 minute			100	Vac
insertion force				35	N
withdrawal force		7			N
operating temperature		-55		85	°C
life			10,000		cycles
flammability rating	UL94V-0				
RoHS	yes				

Note: 1. Add suffix "-TR" to the model for tape and reel packaging.
 2. When measured at 20 mV / 100 mA.
 3. All specifications measured at 15~35°C, humidity at 25~85%, under atmospheric pressure of 86~106 kPa, unless otherwise noted.

SOLDERABILITY

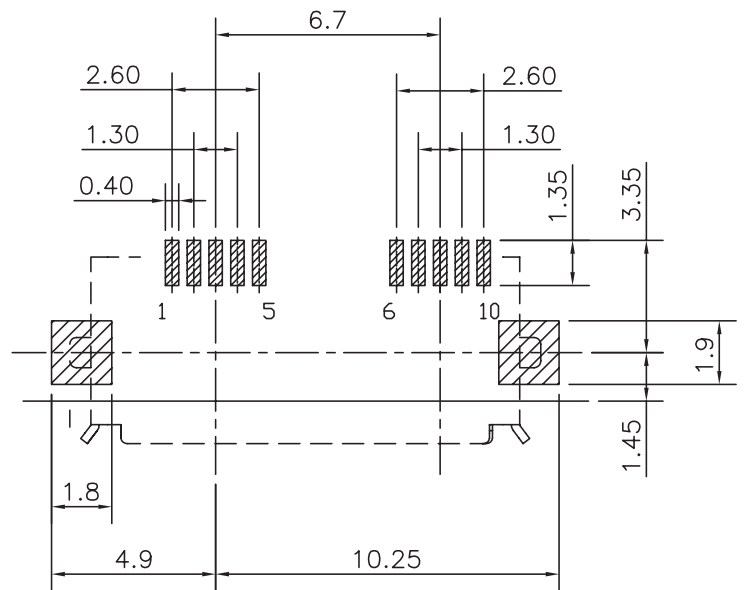
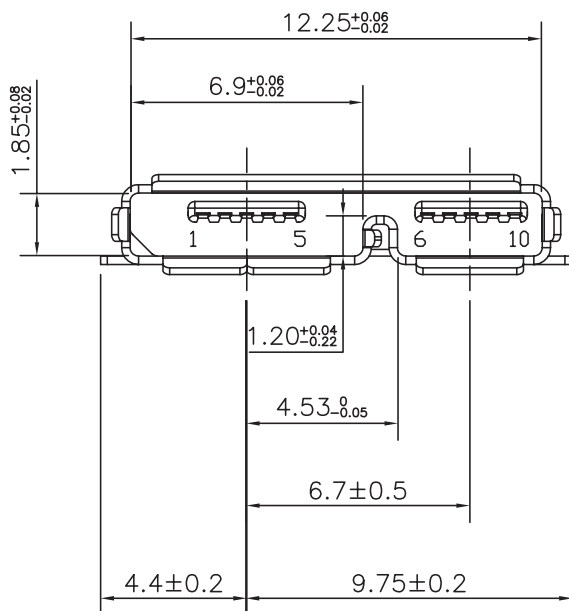
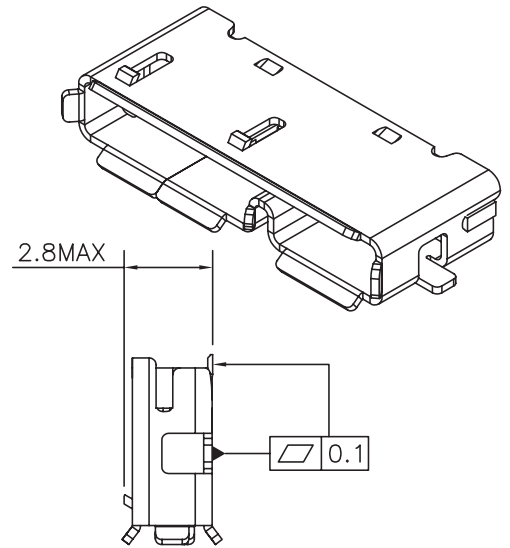
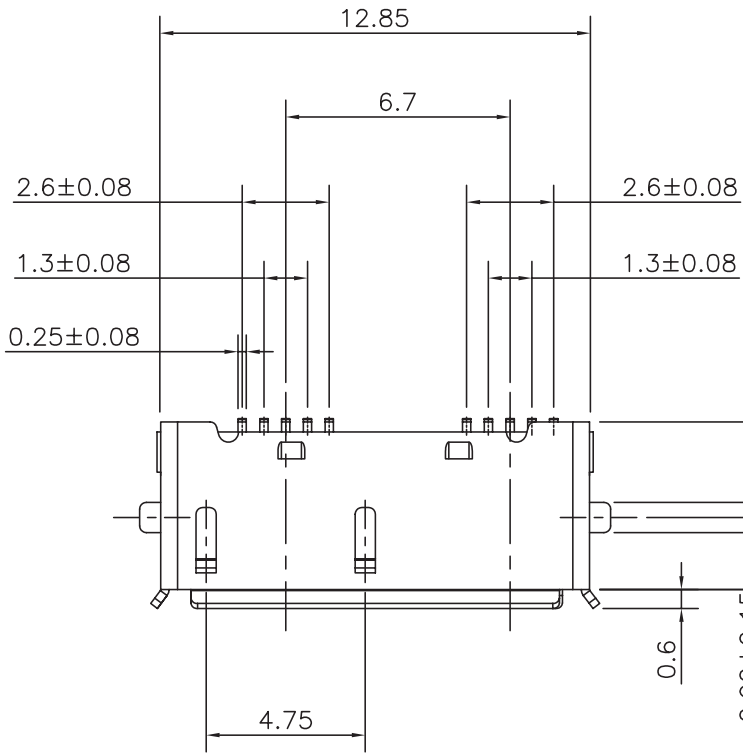
parameter	conditions/description	min	typ	max	units
reflow soldering	see reflow profile			260	°C



MECHANICAL DRAWING

units: mm
 tolerance:
 X.X ±0.38 mm
 X.XX ±0.25 mm

	MATERIAL	PLATING
contact terminals	phosphor bronze	contact: 3 μm gold over nickel solder: tin over nickel
shield	brass	matte tin
insulator	LCP (black)	

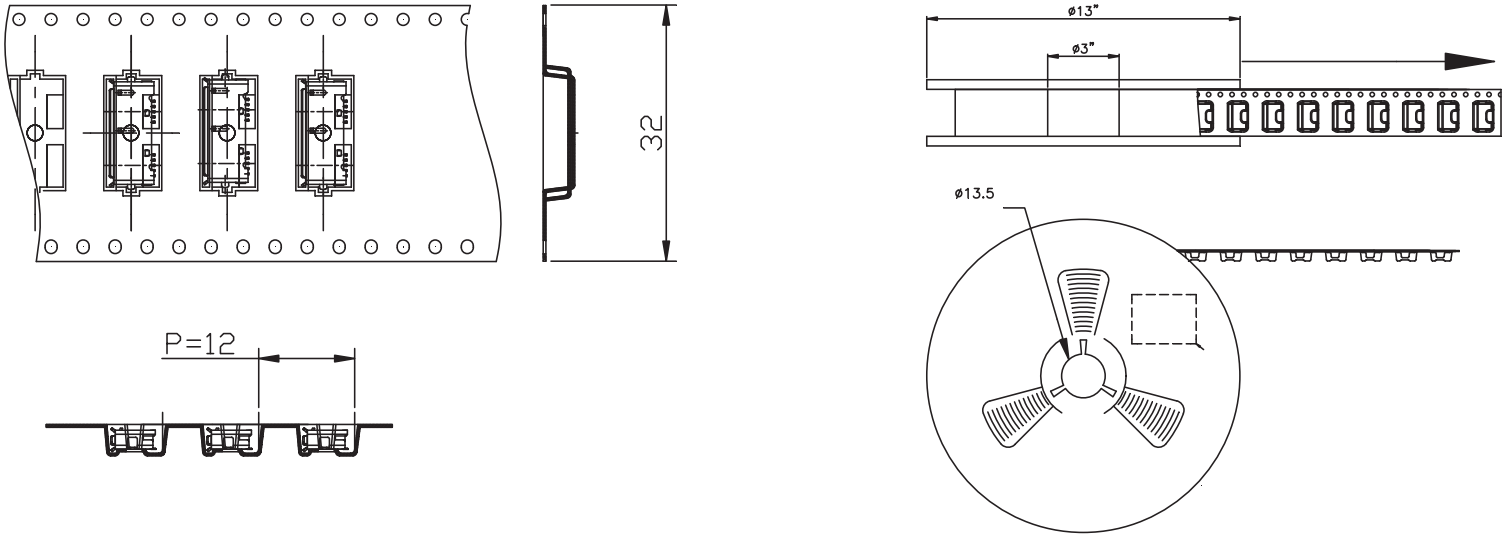


Recommended PCB Layout
Top View

PACKAGING

units: mm

Reel Size: $\varnothing 13"$
Reel QTY: 1,600 pcs per reel



REVISION HISTORY

rev.	description	date
1.0	initial release	08/05/2016
1.01	brand update	02/05/2020
1.02	updated USB standard	04/06/2022
1.03	updated drawing	06/01/2022
1.04	logo, datasheet style update	08/05/2022

The revision history provided is for informational purposes only and is believed to be accurate.



CUI Devices offers a one (1) year limited warranty. Complete warranty information is listed on our website.

CUI Devices reserves the right to make changes to the product at any time without notice. Information provided by CUI Devices is believed to be accurate and reliable. However, no responsibility is assumed by CUI Devices for its use, nor for any infringements of patents or other rights of third parties which may result from its use.

CUI Devices products are not authorized or warranted for use as critical components in equipment that requires an extremely high level of reliability. A critical component is any component of a life support device or system whose failure to perform can be reasonably expected to cause the failure of the life support device or system, or to affect its safety or effectiveness.

cuidevices.com