

MODEL: UJC-HP-G-5-SMT-TR | **DESCRIPTION:** USB RECEPTACLE

FEATURES

- USB Type C receptacle
- designed for power only applications
- reflow solder compatible
- tape & reel packaging


SPECIFICATIONS

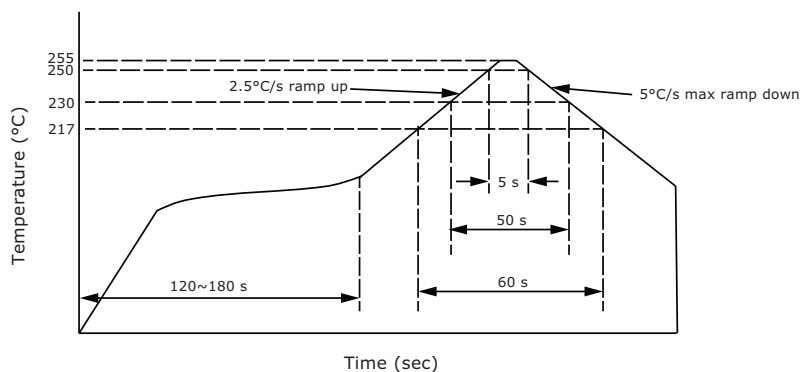
| parameter | conditions/description | min | typ | max | units |
|---------------------------------|---|-----|-------|-------------|--------|
| rated input voltage | | | | 20 | Vdc |
| rated input current | as per EIA-364-70, Method B power pins collectively [A9, A12, B9, B12] VCDNN pins individually [A5, B5] | | | 3.0 1.25 | A A |
| contact resistance ¹ | between terminals and mating plug | | | 40 | mΩ |
| insulation resistance | between adjacent contacts | 100 | | | MΩ |
| voltage withstand | between adjacent contacts | 100 | | | Vac |
| insertion force | at a rate of 12.5 mm/min | 5 | | 20 | N |
| withdrawal force | at a rate of 12.5 mm/min | 8 | | 20 | N |
| life | at a rate of 200 cycles per hour | | 5,000 | | cycles |
| operating temperature | | -30 | | 85 | °C |
| flammability rating | UL94V-0 | | | | |
| RoHS | yes | | | | |

Note: 1. When measured at 20 mV / 100 mA.
2. All specifications measured at 10-35°C, humidity at 45-85%, under standard atmospheric pressure, unless otherwise noted.

SOLDERABILITY

| parameter | conditions/description | min | typ | max | units |
|-------------------------------|-----------------------------|-----|-----|-----|-------|
| reel storage | at relative humidity 65-70% | 25 | | 30 | °C |
| reflow soldering ³ | see reflow profile | | 255 | 260 | °C |

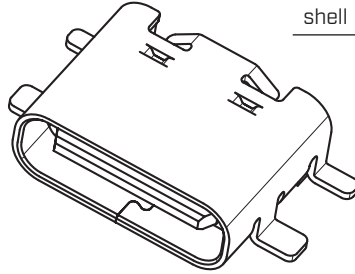
Note: 3. It is recommended to reflow solder within 3 months from opening vacuum packaging at a temperature of 25-30°C & relative humidity 65-70%.



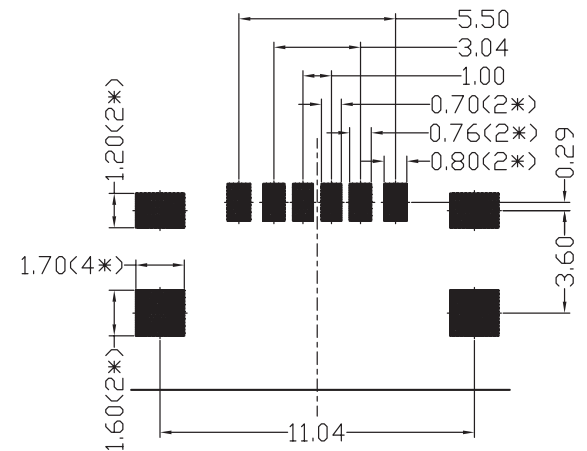
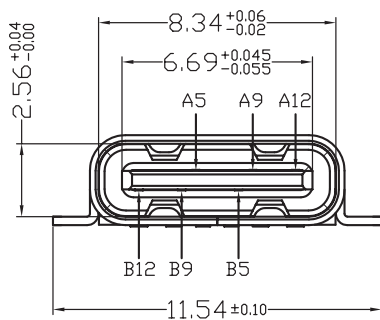
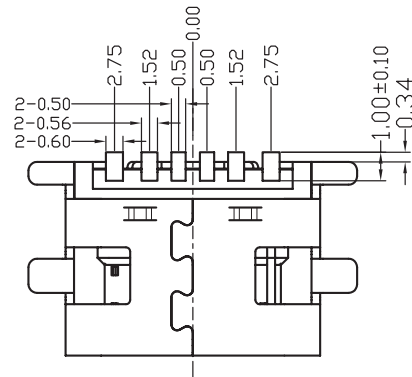
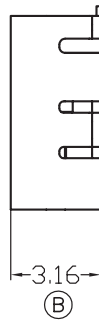
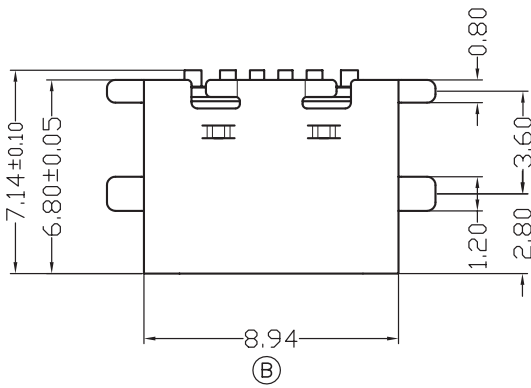
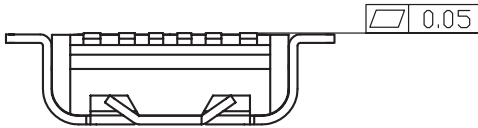
MECHANICAL DRAWING

units: mm
 tolerance:
 X, ± 0.50 mm
 X.X ± 0.30 mm
 X.XX ± 0.20 mm
 X.XXX ± 0.10 mm
 PCB tolerance: ± 0.05 mm
 PCB thickness: 0.8 mm unless otherwise noted

| | MATERIAL | PLATING |
|-----------|-----------------|--|
| insulator | LCP [UL94V-0] | black |
| contact | copper alloy | contact area: gold flash solder area: matte tin over nickel |
| shell | stainless steel | nickel |



| PIN CONNECTIONS | | | |
|-----------------|-------------|-----|-------------|
| PIN | SIGNAL NAME | PIN | SIGNAL NAME |
| A5 | CC1 | B5 | CC2 |
| A9 | Vbus | B9 | Vbus |
| A12 | GND | B12 | GND |

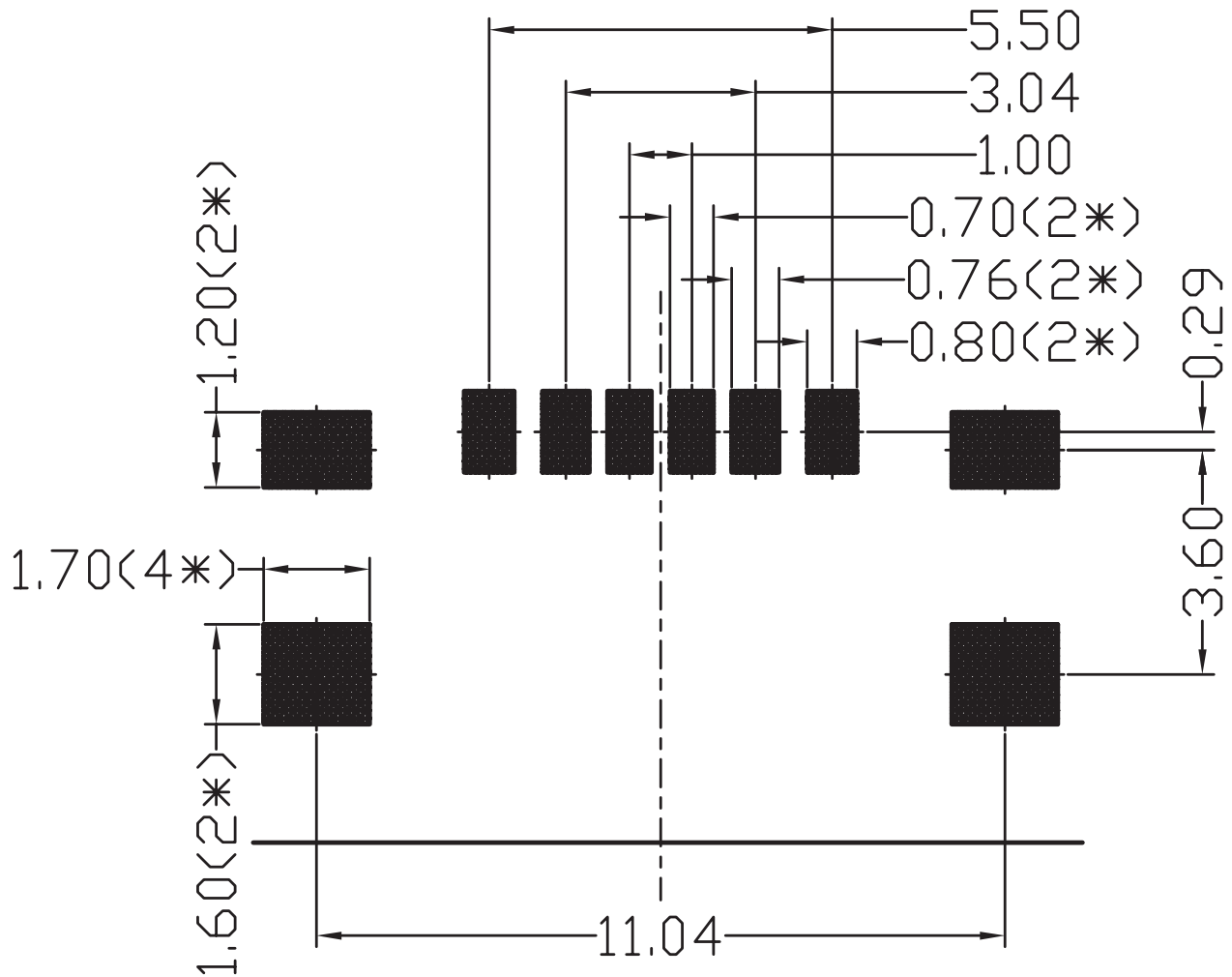


Recommended PCB Layout
Top View

MECHANICAL DRAWING (CONTINUED)

units: mm
 PCB tolerance: ±0.05 mm
 PCB thickness: 0.8 mm

| PIN CONNECTIONS | | | |
|-----------------|------------------|-----|------------------|
| PIN | SIGNAL NAME | PIN | SIGNAL NAME |
| A5 | CC1 | B5 | CC2 |
| A9 | V _{BUS} | B9 | V _{BUS} |
| A12 | GND | B12 | GND |

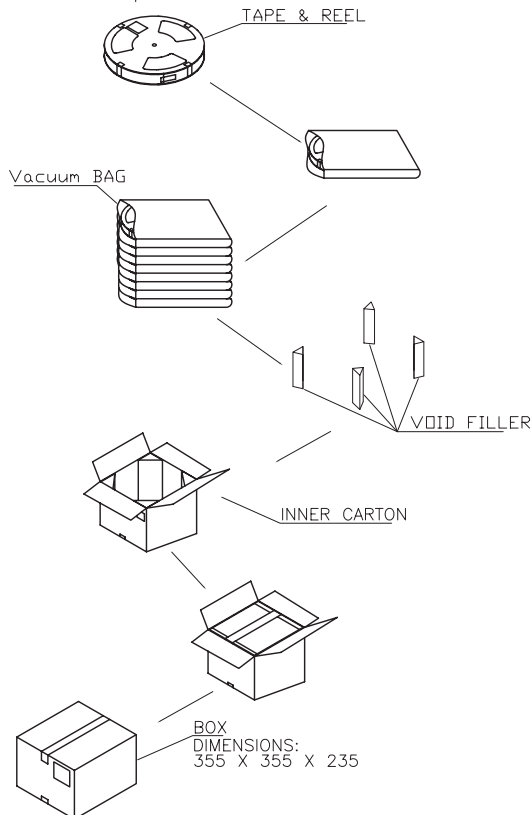
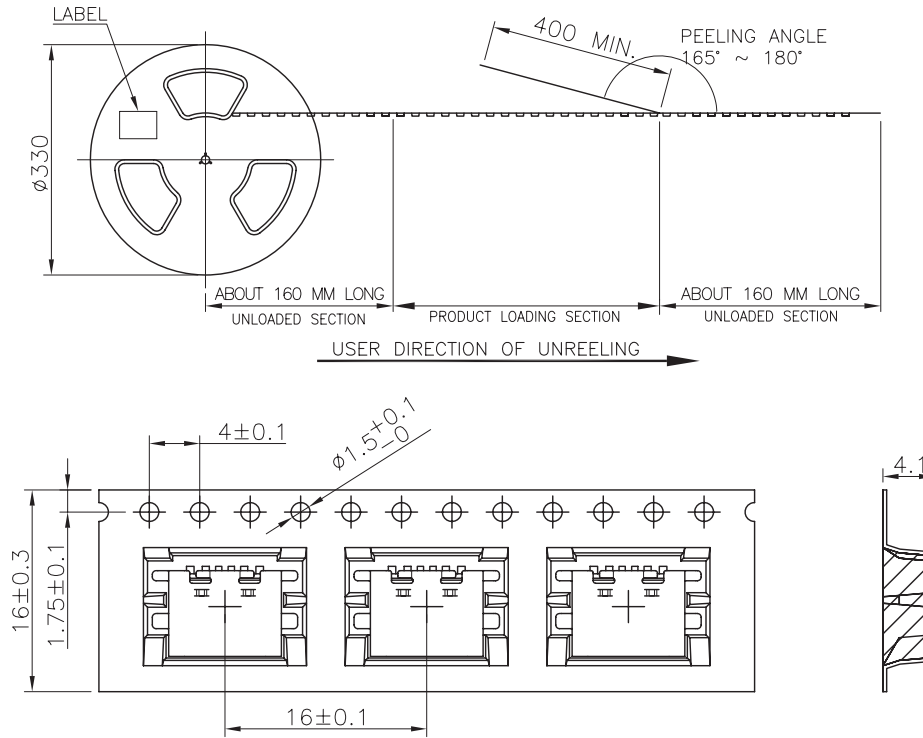


Recommended PCB Layout
 Top View

PACKAGING

units: mm

Reel Size: $\varnothing 330$ mm
 Reel QTY: 1,000 pcs per reel
 Carton Size: 355 x 355 x 235 mm
 Carton QTY: 10,000 pcs



REVISION HISTORY

| rev. | description | date |
|------|------------------------------|------------|
| 1.0 | initial release | 06/16/2022 |
| 1.01 | logo, datasheet style update | 10/11/2022 |

The revision history provided is for informational purposes only and is believed to be accurate.



CUI Devices offers a one (1) year limited warranty. Complete warranty information is listed on our website.

CUI Devices reserves the right to make changes to the product at any time without notice. Information provided by CUI Devices is believed to be accurate and reliable. However, no responsibility is assumed by CUI Devices for its use, nor for any infringements of patents or other rights of third parties which may result from its use.

CUI Devices products are not authorized or warranted for use as critical components in equipment that requires an extremely high level of reliability. A critical component is any component of a life support device or system whose failure to perform can be reasonably expected to cause the failure of the life support device or system, or to affect its safety or effectiveness.

cuidevices.com