



Certifications & Ratings

- UL 1598 (E156890)
- IP66
- NEMA 4X
- RoHS Compliant w/6C exemption
- IK07

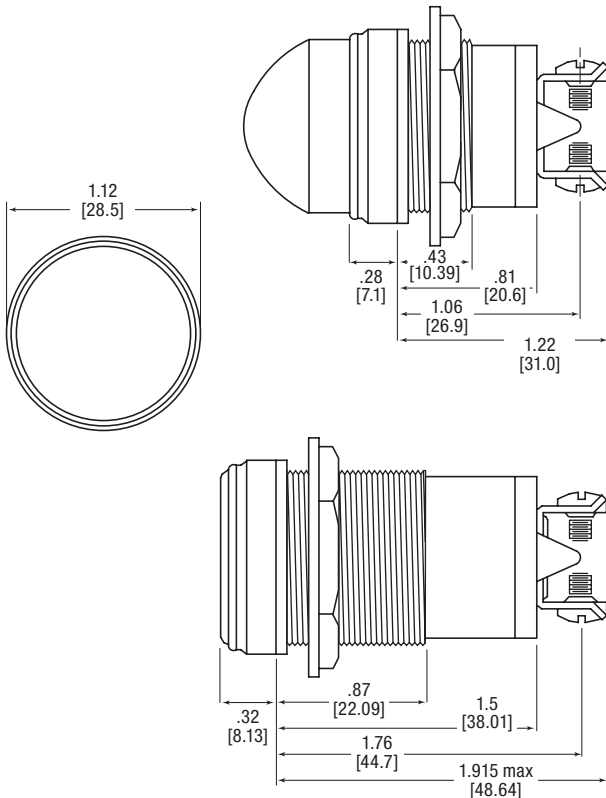
Application

The 556 Series LED Panel Mount Indicators incorporate both InGaN and AlInGaP technologies to offer maximum light output. This is a highly durable package, designed to withstand outdoor applications susceptible to rain, dust and sunlight. In addition, the Class I, Division 2 rating allows for use in hazardous environments common to the oil and gas, mining, and chemical industries:

- Instrument panels
 - Safety applications
 - UL 508 panel applications
 - Petrochemical applications
 - Environmental Monitoring Equipment specifications
 - Pump system controllers
 - Mining application
 - Oil Refineries
 - Agricultural controls
 - Power generators
- ... and many more!

Dimensions

inches [mm]



Mechanical information

Mounting Hole Size: 1.0" (25.4 mm)

Max Panel Thickness: Flat: 0.600" (15.24 mm)
Dome: 0.187" (4.27 mm)

Mounting Torque: 40 in-lbs

Specifications

Voltage Options: 12 to 125VDC, and 125, 230VAC (no resistor required)

Operating Temp: -30°C to +85°C (-22°F to +185°F)

Storage Temp: -40°C to +100°C (-40°F to +212°F)

Electrical Connection: 6-32 screw terminals

Housing: Brass—White or Black Nickel Plated

Terminals: Brass — Hot solder dip per Mil-F-14072D, M258, Type II

Lens Material: Transparent Polycarbonate (UL 94V-0)

Lock Washer: Phosphor Bronze — White or Black Nickel Plated

Nut: Brass—White or Black Nickel Plated



Ordering Information
556 Series – Class 1, Div 2, Flat Lens

Part Number Guide 556 Series

RoHS Compliant

| | | | | | | | | | | | | |
|-------------------|---|--------------|---|---|---|----------------|--------------------------------------|---|---|---|---|---|
| 5 | 5 | 6 | - | X | X | X | X | - | X | 2 | 4 | F |
| Lens Style | | Color | | | | Voltage | | | | | | |
| Flat | 1 | | | | | 3 | 12 VDC | | | | | |
| Domed | 3 | ○ White | 0 | 0 | 4 | 24 VDC | Plating 2 Black 3 White | | | | | |
| | | ● Red | 5 | 0 | 8 | 37.5 VDC | | | | | | |
| | | ● Green | 6 | 0 | 6 | 72 VDC | | | | | | |
| | | ● Cyan | 6 | 8 | 7 | 125 VDC* | | | | | | |
| | | ● Yellow | 7 | 0 | 5 | 125 VAC* | | | | | | |
| | | ● Blue | 8 | 0 | 9 | 230 VDC* | | | | | | |
| | | ● Orange | 9 | 0 | | | | | | | | |
| | | | | | | | *white nickel only | | | | | |

Flat Lens

| White Nickel | Black Nickel | Color | Voltage | Typ Current (mA) | Typical Intensity (mcd) |
|---------------|---------------|----------|----------|------------------|-------------------------|
| 556-1003-324F | 556-1003-224F | ○ White | 12 VDC | 60 | 61,000 |
| 556-1503-324F | 556-1503-224F | ● Red | | 95 | 22,000 |
| 556-1603-324F | 556-1603-224F | ● Green | | 60 | 41,500 |
| 556-1683-324F | 556-1683-224F | ● Cyan | | 60 | 37,000 |
| 556-1703-324F | 556-1703-224F | ● Yellow | | 95 | 13,500 |
| 556-1803-324F | 556-1803-224F | ● Blue | | 60 | 13,000 |
| 556-1903-324F | 556-1903-224F | ● Orange | | 95 | 11,500 |
| 556-1004-324F | 556-1004-224F | ○ White | 24 VDC | 32 | 61,000 |
| 556-1504-324F | 556-1504-224F | ● Red | | 46 | 22,000 |
| 556-1604-324F | 556-1604-224F | ● Green | | 32 | 41,500 |
| 556-1684-324F | 556-1684-224F | ● Cyan | | 32 | 37,000 |
| 556-1704-324F | 556-1704-224F | ● Yellow | | 46 | 13,500 |
| 556-1804-324F | 556-1804-224F | ● Blue | | 32 | 13,000 |
| 556-1904-324F | 556-1904-224F | ● Orange | 46 | 11,500 | |
| 556-1508-324F | 556-1508-224F | ● Red | 37.5 VDC | 20 | 14,000 |
| 556-1608-324F | 556-1608-224F | ● Green | | 16 | 54,000 |
| 556-1708-324F | 556-1708-224F | ● Yellow | | 20 | 12,750 |
| 556-1006-324F | 556-1006-224F | ○ White | 72 VDC | 18.5 | 15,000 |
| 556-1506-324F | 556-1506-224F | ● Red | | 18.5 | 45,500 |
| 556-1606-324F | 556-1606-224F | ● Green | | 16 | 9,000 |
| 556-1706-324F | 556-1706-224F | ● Yellow | | 20 | 15,000 |
| 556-1806-324F | 556-1806-224F | ● Blue | 18.5 | 36,000 | |
| 556-1007-324F | — | ○ White | 125 VDC | 10.5 | 8,000 |
| 556-1507-324F | — | ● Red | | 10 | 27,000 |
| 556-1607-324F | — | ● Green | | 10 | 5,750 |
| 556-1707-324F | — | ● Yellow | 10 | 35,000 | |
| 556-1005-324F | — | ○ White | 125 VAC | 11 | 8,000 |
| 556-1505-324F | — | ● Red | | 10.5 | 29,000 |
| 556-1605-324F | — | ● Green | | 9.5 | 24,750 |
| 556-1685-324F | — | ● Cyan | | 9.5 | 5,750 |
| 556-1705-324F | — | ● Yellow | | 10.5 | 7,750 |
| 556-1805-324F | — | ● Blue | | 9.5 | 6,000 |
| 556-1905-324F | — | ● Orange | 10.5 | 35,000 | |
| 556-1009-324F | — | ○ White | 230 VAC | 6 | 8,000 |
| 556-1509-324F | — | ● Red | | 7 | 29,000 |
| 556-1609-324F | — | ● Green | | 7 | 5,750 |
| 556-1709-324F | — | ● Yellow | | 7 | 7,750 |
| 556-1809-324F | — | ● Blue | | 7 | 6,000 |
| 556-1909-324F | — | ● Orange | 7 | 3100 | |



Ordering Information

556 Series — Class 1, Div 2, Domed Lens

Domed Lens

| White Nickel | Black Nickel | Color | Voltage | Typ Current (mA) | Typical Intensity (mcd) |
|---------------|---------------|----------|----------|------------------|-------------------------|
| 556-3003-324F | 556-3003-224F | ○ White | 12 VDC | 60 | 17,000 |
| 556-3503-324F | 556-3503-224F | ● Red | | 95 | 14,000 |
| 556-3603-324F | 556-3603-224F | ● Green | | 60 | 14,000 |
| 556-3683-324F | 556-3683-224F | ● Cyan | | 60 | 11,500 |
| 556-3703-324F | 556-3703-224F | ● Yellow | | 95 | 4,000 |
| 556-3803-324F | 556-3803-224F | ● Blue | | 60 | 12,000 |
| 556-3903-324F | 556-3903-224F | ● Orange | | 95 | 3,500 |
| 556-3004-324F | 556-3004-224F | ○ White | 24 VDC | 32 | 17,000 |
| 556-3504-324F | 556-3504-224F | ● Red | | 46 | 14,000 |
| 556-3604-324F | 556-3604-224F | ● Green | | 32 | 14,000 |
| 556-3684-324F | 556-3684-224F | ● Cyan | | 32 | 11,500 |
| 556-3704-324F | 556-3704-224F | ● Yellow | | 46 | 4,000 |
| 556-3804-324F | 556-3804-224F | ● Blue | | 32 | 12,000 |
| 556-3904-324F | 556-3904-224F | ● Orange | | 46 | 3,500 |
| 556-3508-324F | 556-3508-224F | ● Red | 37.5 VDC | 20 | 4,750 |
| 556-3608-324F | 556-3608-224F | ● Green | | 16 | 15,750 |
| 556-3708-324F | 556-3708-224F | ● Yellow | | 20 | 3,250 |
| 556-3006-324F | 556-3006-224F | ○ White | 72 VDC | 18.5 | 4,200 |
| 556-3506-324F | 556-3506-224F | ● Red | | 18.5 | 14,250 |
| 556-3606-324F | 556-3606-224F | ● Green | | 16 | 2,600 |
| 556-3706-324F | 556-3706-224F | ● Yellow | | 20 | 4,500 |
| 556-3806-324F | 556-3806-224F | ● Blue | | 18.5 | 10,250 |
| 556-3007-324F | — | ○ White | 125 VDC | 10.5 | 2,500 |
| 556-3507-324F | — | ● Red | | 10 | 8,250 |
| 556-3607-324F | — | ● Green | | 10 | 1,500 |
| 556-3707-324F | — | ● Yellow | | 10 | 10,250 |
| 556-3005-324F | — | ○ White | 125 VAC | 11 | 2,500 |
| 556-3505-324F | — | ● Red | | 10.5 | 9,500 |
| 556-3605-324F | — | ● Green | | 9.5 | 6,500 |
| 556-3685-324F | — | ● Cyan | | 9.5 | 1,750 |
| 556-3705-324F | — | ● Yellow | | 10.5 | 3,000 |
| 556-3805-324F | — | ● Blue | | 9.5 | 1,750 |
| 556-3905-324F | — | ● Orange | | 10.5 | 10,250 |
| 556-3009-324F | — | ○ White | 230 VAC | 6 | 2,500 |
| 556-3509-324F | — | ● Red | | 7 | 9,500 |
| 556-3609-324F | — | ● Green | | 7 | 1,750 |
| 556-3709-324F | — | ● Yellow | | 7 | 3,000 |
| 556-3809-324F | — | ● Blue | | 7 | 1,750 |
| 556-3909-324F | — | ● Orange | | 7 | 3100 |

Dialight reserves the right to make changes at any time in order to supply the best product possible. The most current version of this document will always be available at: www.dialightsignalsandcomponents.com

Warranty Statement: Except for the warranty expressly provided for [herein/above/below], Dialight disclaims any and all other warranties, express or implied, including, without limitation, any warranties of merchantability, fitness for a particular purpose, title, and noninfringement.