

NOTES:

1. MATERIALS AND FINISHES:
 HD-BNC STR CRIMP PLUG - 34-1025
 BNC STR CRIMP PLUG - 112951-11
 CABLE - BELDEN 1505A

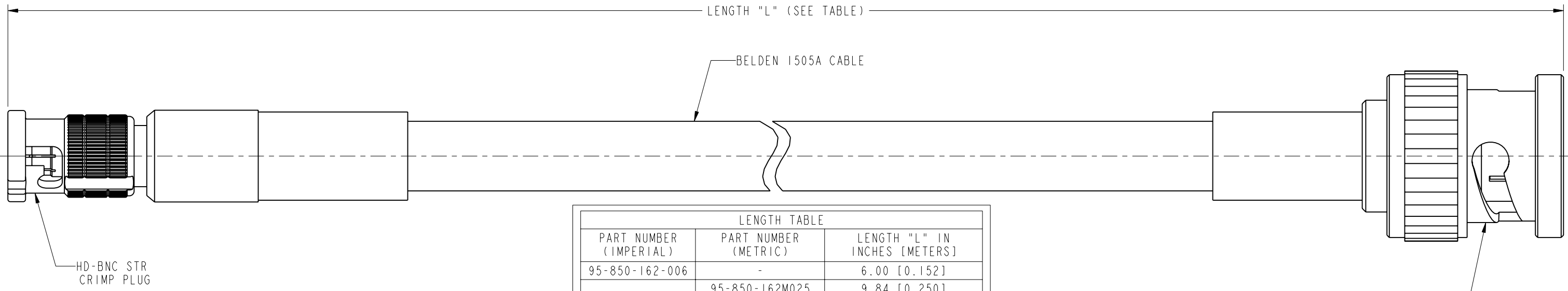
3. PACKAGING:
 A. QUANTITY: SINGLE PACK
 B. MARKING: BAG TO BE MARKED
 "AMPHENOL RF, 95-850-162XXXX AND DATE CODE".

2. ELECTRICAL:
 A. IMPEDANCE: 75 OHM

THIRD ANGLE PROJ.

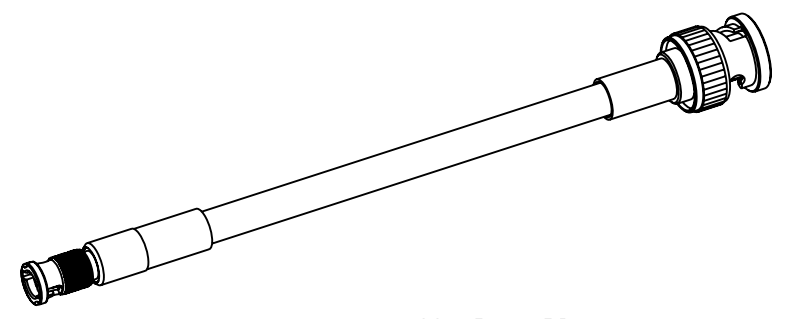
REVISIONS

REV	DESCRIPTION	DATE	ECO	APPR
A	RELEASE TO MFG	5/12/15	50373	NR/BCG
B	HST REMOVED	6/30/15	50581	NR/BCG
C	RELEASE IN ARFA. NO CHANGE IN THIS SHEET	17-Jan-18	06565	SH



LENGTH TABLE		
PART NUMBER (IMPERIAL)	PART NUMBER (METRIC)	LENGTH "L" IN INCHES [METERS]
95-850-162-006	-	6.00 [0.152]
	95-850-162M025	9.84 [0.250]
95-850-162-012	-	12.00 [0.305]
95-850-162-018	-	18.00 [0.457]
-	95-850-162M050	19.69 [0.500]
95-850-162-024	-	24.00 [0.610]
-	95-850-162M075	29.53 [0.750]
95-850-162-036	-	36.00 [0.914]
-	95-850-162M100	39.37 [1.000]
95-850-162-048	-	48.00 [1.219]
-	95-850-162M125	49.21 [1.250]
-	95-850-162M150	59.06 [1.500]
95-850-162-060	-	60.00 [1.524]
95-850-162-072	-	72.00 [1.829]
-	95-850-162M200	78.74 [2.000]
-	95-850-162M300	118.11 [3.000]
95-850-162-120	-	120.00 [3.048]
95-850-162-180	-	180.00 [4.572]
	95-850-162M500	196.85 [5.000]
95-850-162-300	-	300.00 [7.620]
-	95-850-162M10L	393.70 [10.000]
95-850-162L050	-	600.00 [15.240]
-	95-850-162M20L	787.40 [20.000]
95-850-162L075	-	900.00 [22.860]
-	95-850-162M30L	1181.10 [30.000]
95-850-162L100	-	1200.00 [30.480]

BNC STR CRIMP PLUG



SCALE 0.750

DESIGN REQUIREMENTS:

- | | |
|--|---|
| <input checked="" type="checkbox"/> FREQUENCY: DC TO 3 GHz | <input checked="" type="checkbox"/> CONTINUITY |
| <input type="checkbox"/> VSWR _____ MAX | <input checked="" type="checkbox"/> HI-POT : 500 VRMS |
| <input type="checkbox"/> INS. LOSS _____ dB MAX | <input type="checkbox"/> OTHER |

CUSTOMER OUTLINE DRAWING
 ALL OTHER SHEETS ARE FOR INTERNAL USE ONLY

UNLESS OTHERWISE SPECIFIED, DIMENSIONS ARE IN INCHES AND TOLERANCES ARE: 2 PLACE DECIMAL 3 PLACE DECIMAL ANGLES ±.015 (0.381 mm) ±.005 (0.127 mm) ± 1°	MATERIAL	DRAWN	DATE	TITLE HD-BNC STR CRIMP PLUG TO BNC STR CRIMP PLUG, USING BELDEN 1505A CABLE, VARIOUS LENGTH		Amphenol RF www.amphenolrf.com	
	SEE NOTES	L.QIN	17-Jan-18				
NOTICE - These drawings, specifications, or other data (1) are, and remain the property of Amphenol corp. (2) must be returned upon request; and (3) are confidential and not to be disclosed to any person other than those to whom they are given by Amphenol Corp. the furnishing of these drawings, specifications, or other data by Amphenol Corp., or to any other person to anyone for any purpose is not to be regarded by implication or otherwise in any manner licensing, granting rights to permitting such holder or any other person to manufacture, use or sell any product, process or design, patented or otherwise, that may in any way be related to or disclosed by said drawings, specifications, or other data.	REFERENCE	ENGINEER	DATE	SCALE: 3.0:1.0 SHEET 2 OF 2		DRAWING NO. 95-850-162XXXX ITEM NO. 95-850-162XXXX	
	EAR # 6514	CLEMENT	10-Dec-14				
	CONFIGURATION LEVEL: In Work	APPROVED	DATE		DWG SIZE B REV C		PART NO. 95-850-162XXXX
FINISH	K. CAPOZZI	6/30/15	CAD FILE				