

NOTES:

1. MATERIAL AND FINISH:

BODY BRASS, ALBALOY PLATING OVER SILVER
 CONTACT PIN BRASS, GOLD PLATING
 INSULATOR PTFE, NATURAL

2. ELECTRICAL:

- A. IMPEDANCE: 50 OHM
- B. FREQUENCY RANGE: DC-10 GHz
- C. RETURN LOSS: 30 dB MIN.@ DC-4 GHz
25 dB MIN.@ 4-6 GHz
- D. INSERTION LOSS: $0.03X \sqrt{f(\text{GHz})}$ dB MAX.
- E. INSULATION RESISTANCE: 5 GOHM MIN.
- F. POWER HANDLING: 200 W MAX.@ 2.2 GHz AT 20°C
- G. INTERMODULATION(3rd ORDER): -160 dBc MAX. @ 2X43 dBm

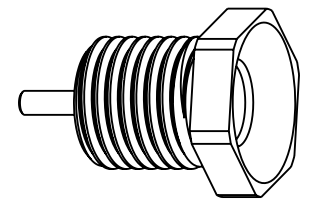
3. MECHANICAL:

- A. TEMPERATURE RANGE: -65°C TO +165°C

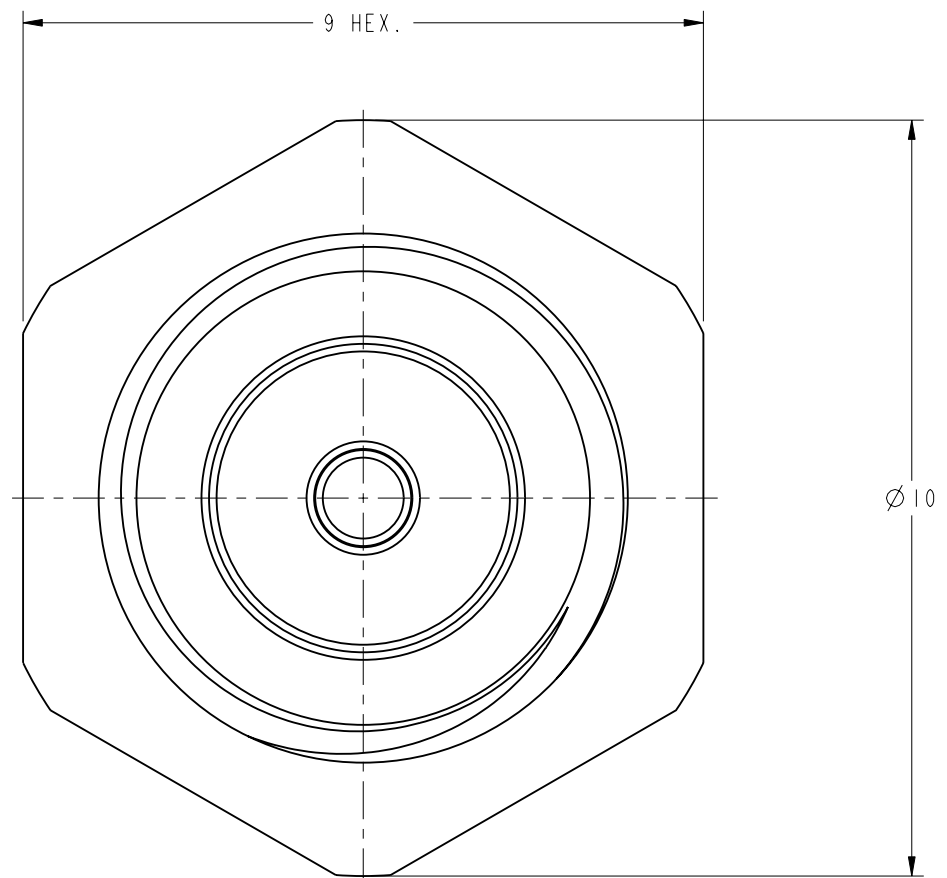
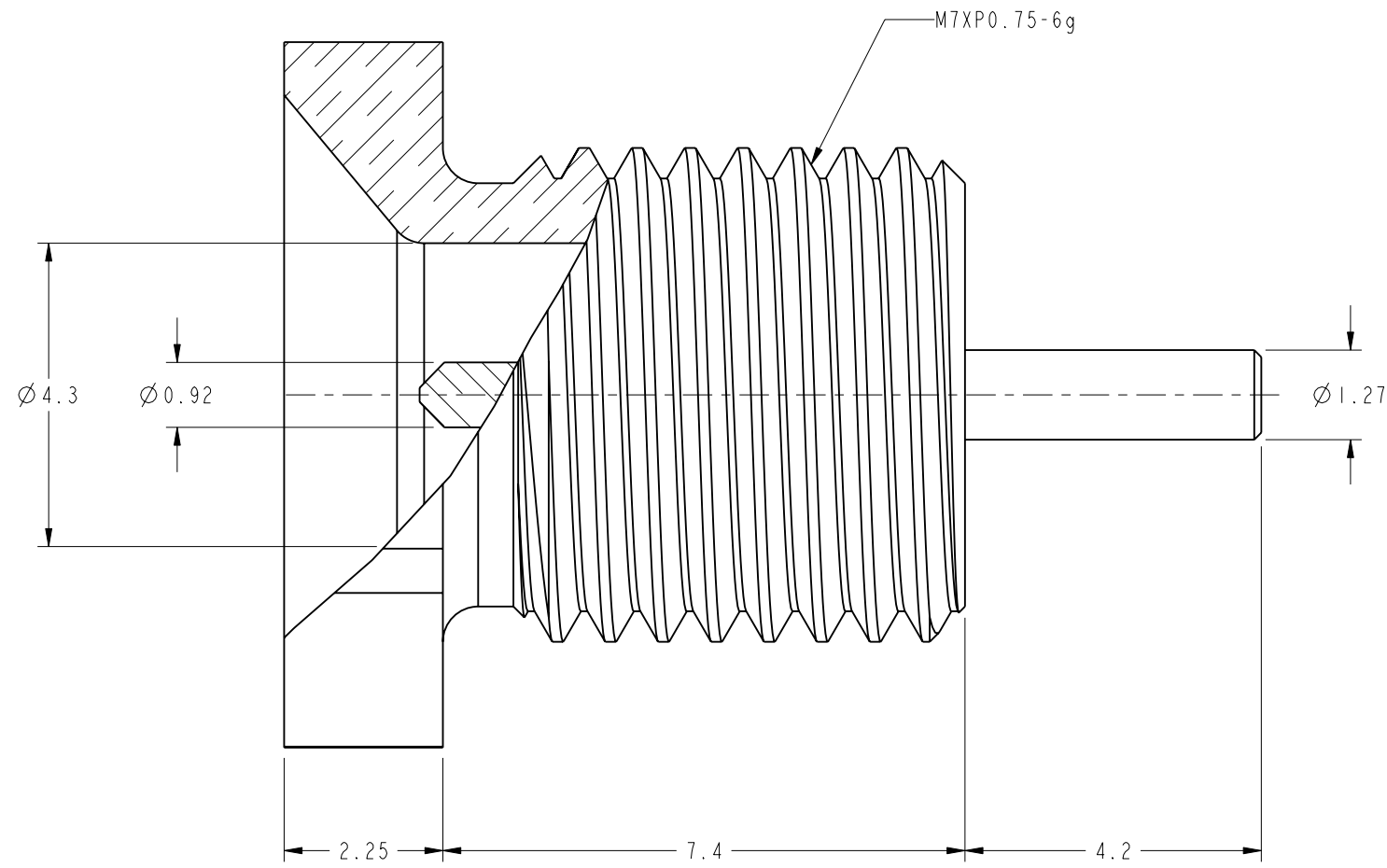
THIRD ANGLE PROJ.

REVISIONS

REV	DESCRIPTION	DATE	ECO	APPR
A	RELEASE TO MFG.	21-Aug-13	-----	CC
B	TITLE WAS CHANGED, ADDED PART NO.: PSMP-MSSB-CSB	29-Oct-15	-----	AY
C	CONTACT PIN WAS CHANGED	23-Nov-15	50841	BCG



SCALE 2.500



CUSTOMER OUTLINE DRAWING

ALL OTHER SHEETS ARE FOR INTERNAL USE ONLY

UNLESS OTHERWISE SPECIFIED, DIMENSIONS ARE IN METRIC AND TOLERANCES ARE: <0.5mm ±0.05mm 0.5 - 6mm ±0.1mm 6 - 30mm ±0.2mm 30 - 120mm ±0.3mm ANGLES ±1°	MATERIAL	DRAWN TANGOR	DATE 23-Nov-15	TITLE POWER-SMP, MALE SMOOTH BORE	Amphenol RF www.amphenolrf.com
	NOTICE - These drawings, specifications, or other data (1) are, and remain the property of Amphenol corp. (2) must be returned upon request; and (3) are confidential and not to be disclosed to any person other than those to whom they are given by Amphenol Corp. the furnishing of these drawings, specifications, or other data by Amphenol Corp., or to any other person to anyone for any purpose is not to be regarded by implication or otherwise in any manner licensing, granting rights to permitting such holder or any other person to manufacture, use or sell any product, process or design, patented or otherwise, that may in any way be related to or disclosed by said drawings, specifications, or other data.	REFERENCE EAR04995 119S643-500N5 CONFIGURATION LEVEL:	ENGINEER RICKSON		
FINISH	APPROVED RICKSON	DATE 23-Nov-15	SCALE: 10.0:1.0 SHEET 2 OF 2	DWG SIZE B	REV C