

NOTES:

1. MATERIALS AND FINISHES:
 BODY - BRASS, GOLD PLATING
 CONTACT - BeCu, GOLD PLATING
 INSULATOR - PTFE, NATURAL

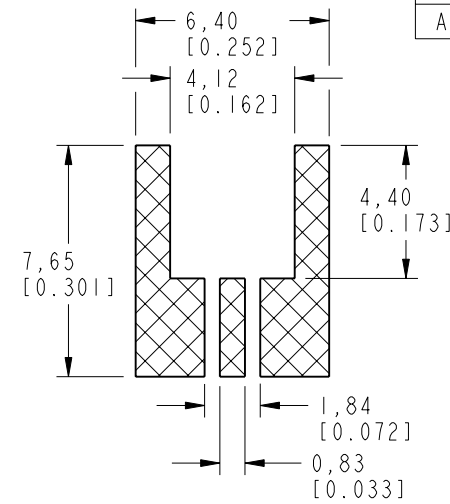
2. ELECTRICAL:
 A. IMPEDANCE: 50 OHM
 B. FREQUENCY RANGE: DC - 26.5 GHz
 C. VSWR(RETURN LOSS): 1.11 MAX (-26 dB MIN) @ DC-6 GHz
 1.22 MAX (-20 dB MIN) @ 6-18 GHz
 1.33 MAX (-17 dB MIN) @ 18-26.5 GHz
 CONNECTOR ONLY, PERFORMANCE WILL VARY
 BASED ON BOARD LAYOUT
 D. DIELECTRIC WITHSTANDING VOLTAGE: 500 VRMS, MIN.

3. MECHANICAL:
 A. DURABILITY: 500 CYCLES MIN.
 B. TEMPERATURE RANGE: -65°C TO +165°C
 C. ENGAGEMENT FORCE: 2 LBS (9 N) MAX.
 D. DISENGAGEMENT FORCE: 0.5 LBS (2.2 N) MIN.

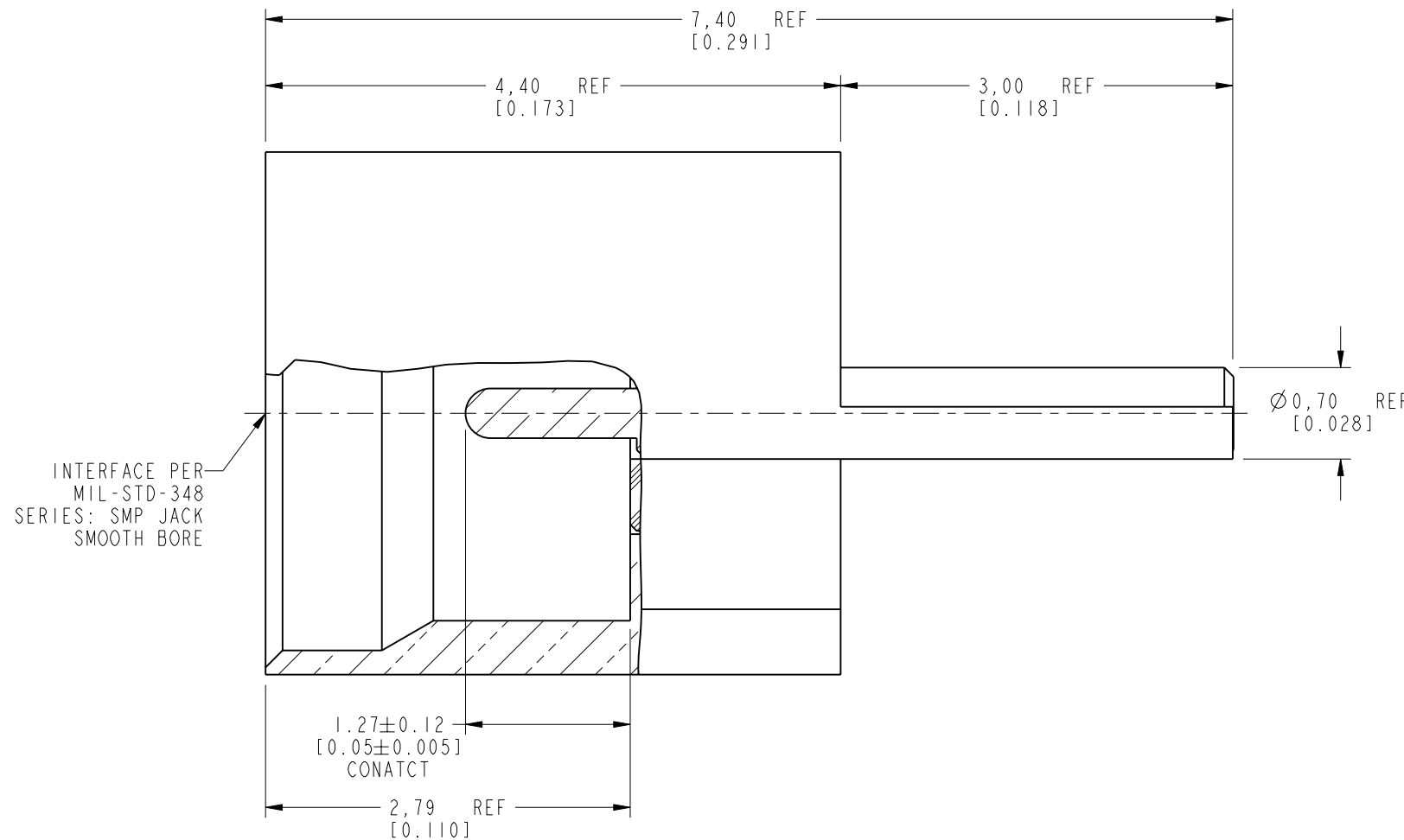
4. PACKAGING:
 A. QUANTITY: SEE TABLE
 B. MARKING: REEL OR TRAY TO BE MARKED
 "AMPHENOL RF, PART NUMBER, YYWW"

PART NUMBER	PACKAGING METHOD	QUANTITY
SMP-MSSB-PCE-4	TRAY	50
SMP-MSSB-PCE-4T	TAPE & REEL	1000

THIRD ANGLE PROJ.

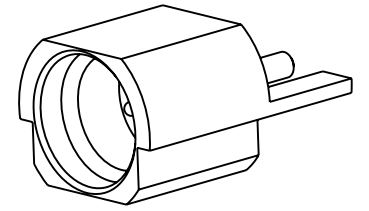


RECOMMENDED
PCB LAYOUT

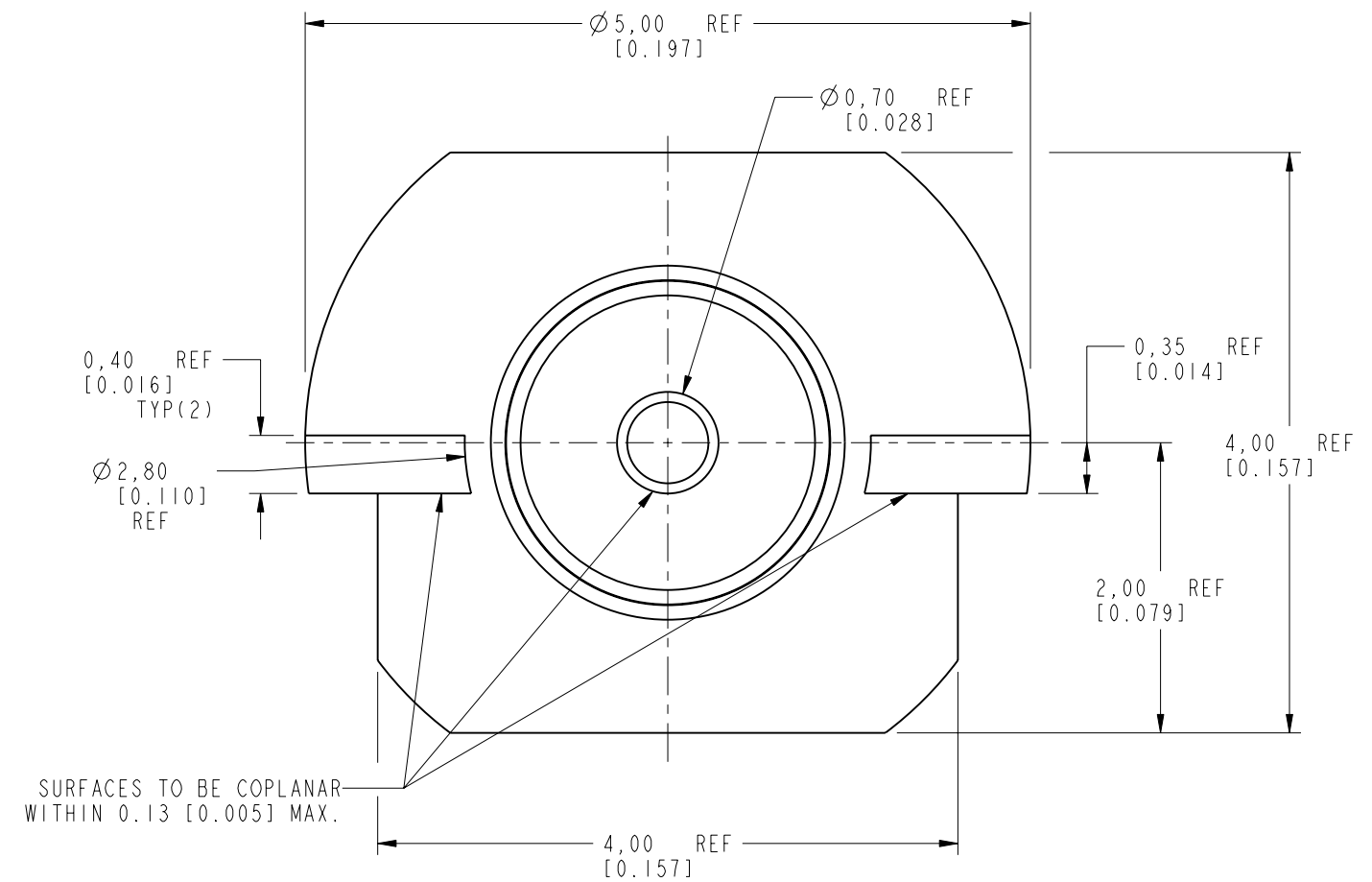


INTERFACE PER
MIL-STD-348
SERIES: SMP JACK
SMOOTH BORE

REV		DESCRIPTION	DATE	ECN	APPR
A		RELEASE TO MFG.	18-Jun-19	11903	EH



SCALE 5.000



SURFACES TO BE COPLANAR
WITHIN 0.13 [0.005] MAX.

CUSTOMER OUTLINE DRAWING

ALL OTHER SHEETS ARE FOR INTERNAL USE ONLY

UNLESS OTHERWISE SPECIFIED, DIMENSIONS ARE IN METRIC AND TOLERANCES ARE:
 <0.5mm ±0.05mm 0.5 - 6mm ±0.1mm 6 - 30mm ±0.2mm 30 - 120mm ±0.3mm ANGLES ±1°

NOTICE - These drawings, specifications, or other data (1) are, and remain the property of Amphenol corp. (2) must be returned upon request; and (3) are confidential and not to be disclosed to any person other than those to whom they are given by Amphenol Corp. the furnishing of these drawings, specifications, or other data by Amphenol Corp., or to any other person to anyone for any purpose is not to be regarded by implication or otherwise in any manner licensing, granting rights to permitting such holder or any other person to manufacture, use or sell any product, process or design, patented or otherwise, that may in any way be related to or disclosed by said drawings, specifications, or other data.

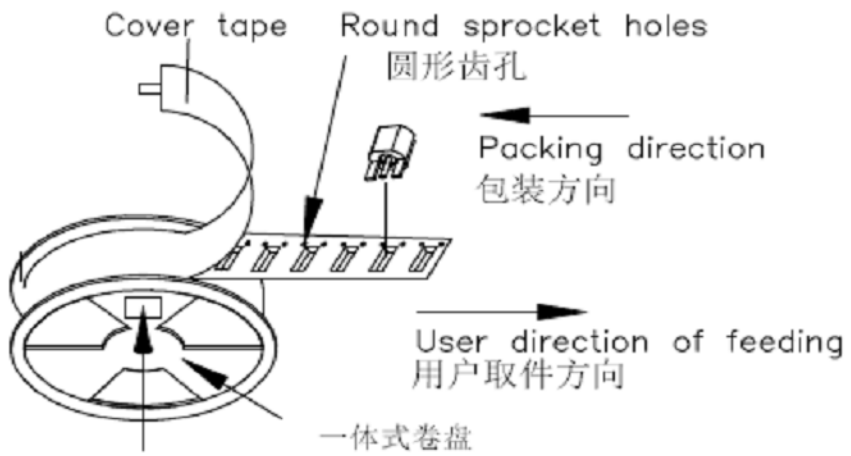
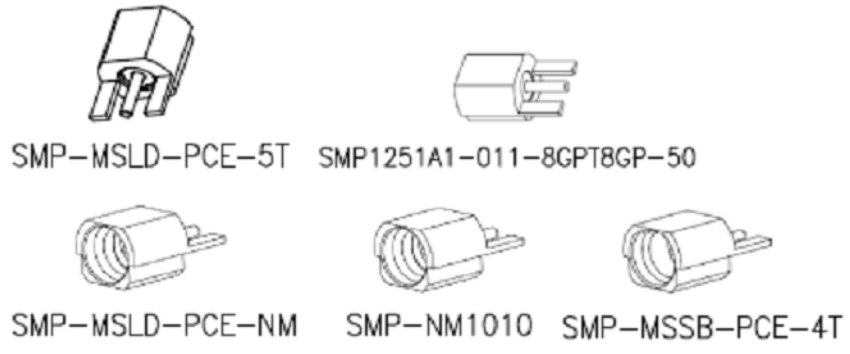
MATERIAL	SEE NOTES
REFERENCE	EAR# 8533
	REF: SMP-MSLD-PCE-5
CONFIGURATION LEVEL:	In Work
FINISH	

DRAWN	S. DUAN	DATE	28-Jun-19
ENGINEER	KRISHNA S	DATE	31-Jan-19
APPROVED		DATE	
CAD FILE			

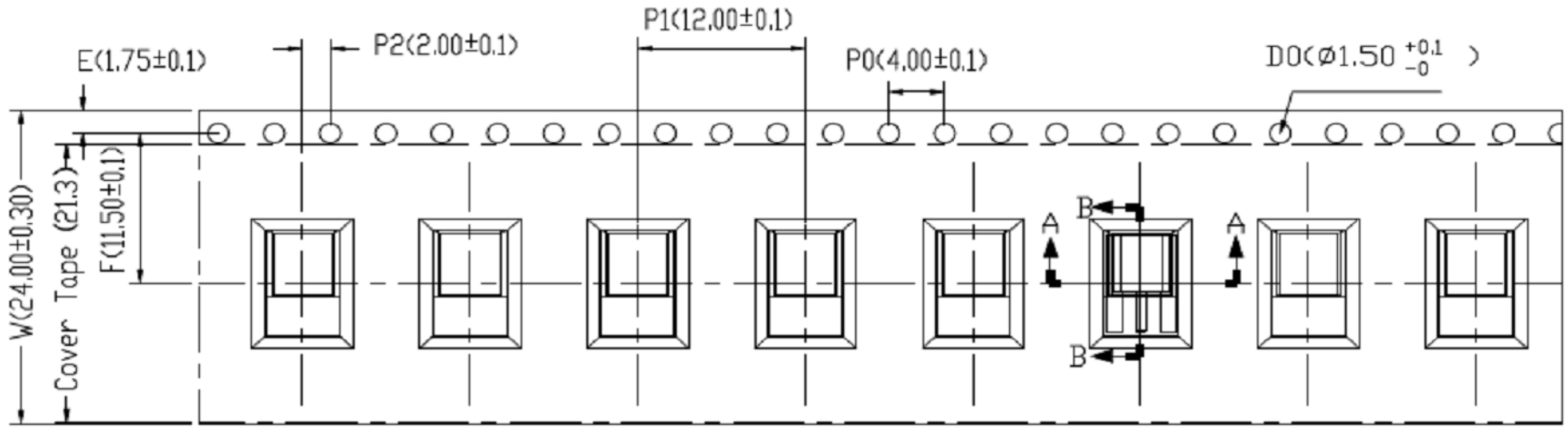
TITLE	SMP STR JACK SMOOTH BORE EDGE MOUNT		
SCALE:	20.0:1.0	SHEET 2 OF 3	
DWG SIZE	B	REV	A

Amphenol RF	
www.amphenolrf.com	
DRAWING NO.	SMP-MSSB-PCE-4X
ITEM NO.	SMP-MSSB-PCE-4X
PART NO.	SMP-MSSB-PCE-4X

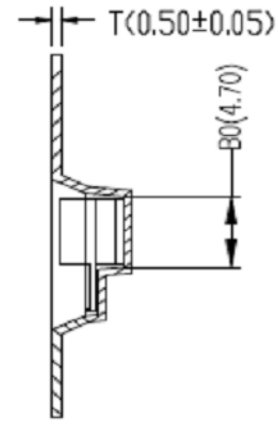
REV	DESCRIPTION	DATE	ECN	APPR
A	RELEASE TO MFG.	28-Jun-19	11903	EH



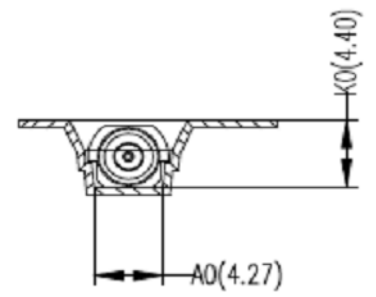
TAPE&REEL示意图



用户取件方向
User direction of feeding



SECTION B-B



SECTION A-A

- NOTES:
1. 10 sprocket holes pitch cumulative tolerance ± 0.20 mm.
 2. Carrier camber not to exceed 1 mm in 250 mm.
 3. A0 and B0 measured on a plane 0.3 mm above the bottom of the pocket.
 4. K0 measured from a plane on the inside bottom of the pocket to the top surface of the carrier.
 5. All dimensions meet EIA-481-D requirements.
 6. Material: Carrier TAPE, Black PS; REEL, Blue (RoHS Compliant)
 7. Thickness: 0.50 ± 0.05 mm.
 8. Packing length per 13" reel: 12.96 Meters.
 9. Component loader per 13" reel: 1000 pcs.

注:未注公差为 ± 0.10
NOTE: ALL TOLERANCES ARE: ± 0.10 , EXCEPT WHERE NOTED

ITEM	W	A0	B0	K0	K1	P1	F	E	D0	D1	P0	P2	T
DIM	24.00 ± 0.3	4.27 ± 0.1	4.70 ± 0.1	4.40 ± 0.1		12.00 ± 0.1	11.50 ± 0.1	1.75 ± 0.1	1.50 $^{+0.10}_{-0.00}$		4.00 ± 0.1	2.00 ± 0.1	0.50 ± 0.05

UNLESS OTHERWISE SPECIFIED, DIMENSIONS ARE IN METRIC AND TOLERANCES ARE:
 <0.5mm ± 0.05 mm 0.5 - 6mm ± 0.1 mm 6 - 30mm ± 0.2 mm 30 - 120mm ± 0.3 mm ANGLES $\pm 1^\circ$

NOTICE - These drawings, specifications, or other data (1) are, and remain the property of Amphenol corp. (2) must be returned upon request; and (3) are confidential and not to be disclosed to any person other than those to whom they are given by Amphenol Corp. the furnishing of these drawings, specifications, or other data by Amphenol Corp., or to any other person to anyone for any purpose is not to be regarded by implication or otherwise in any manner licensing, granting rights to permitting such holder or any other person to manufacture, use or sell any product, process or design, patented or otherwise, that may in any way be related to or disclosed by said drawings, specifications, or other data.

MATERIAL	DRAWN S. DUAN	DATE 28-Jun-19	TITLE SMP STR JACK SMOOTH BORE EDGE MOUNT	Amphenol RF www.amphenolrf.com
REFERENCE EAR# 8533 REF: SMP-MSLD-PCE-5	ENGINEER KRISHNA S	DATE 31-Jan-19	SCALE: 22.0:1.0 SHEET 3 OF 3	
CONFIGURATION LEVEL: In Work	APPROVED	DATE	DWG SIZE B	DRAWING NO. SMP-MSSB-PCE-4X
FINISH	CAD FILE		REV A	ITEM NO. SMP-MSSB-PCE-4X
				PART NO. SMP-MSSB-PCE-4X