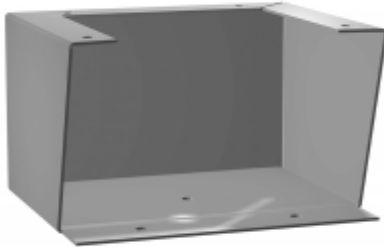
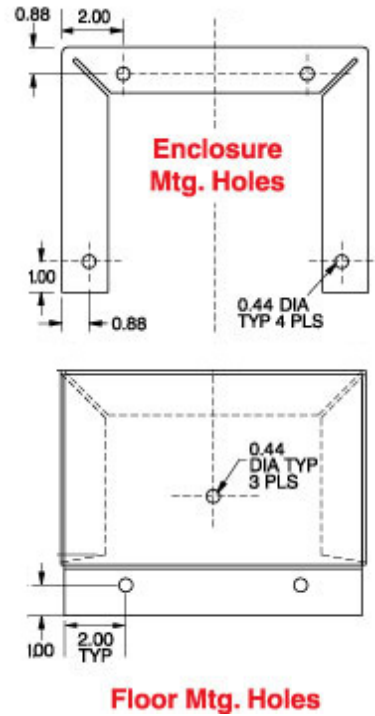


Floor Stand Kit 1481F Series

Features



- Kit includes two mounting feet and hardware kit.
- Pre-punched mounting feet may be used as a template to drill holes on bottom of enclosure.
- Finished in gray or natural brushed stainless steel.



Steel Part No.	Stainless Steel Part No.	Foot Height	Enclosure Depth	Dimensions (each)		
				A	B	C
1481FA8K		6.00	8.00	6.00	6.00	8.00
1481FA10K		6.00	10.00	6.00	8.00	10.00
1481FA12K		6.00	12.00	6.00	8.00	12.00
1481FA16K		6.00	16.00	6.00	10.00	16.00
1481FA18K		6.00	18.00	6.00	8.00	18.00
1481FA20K		6.00	20.00	6.00	10.00	20.00
1481FC6K		12.00	6.00	12.00	5.00	6.00
1481FC8K	1481FC8KSS	12.00	8.00	12.00	6.00	8.00
1481FC10K	1481FC10KSS	12.00	10.00	12.00	8.00	10.00
1481FC12K	1481FC12KSS	12.00	12.00	12.00	8.00	12.00
1481FC16K	1481FC16KSS	12.00	16.00	12.00	10.00	16.00
1481FC18K	1481FC18KSS	12.00	18.00	12.00	10.00	18.00
1481FC20K	1481FC20KSS	12.00	20.00	12.00	10.00	20.00
1481FC24K	1481FC24KSS	12.00	24.00	12.00	10.00	24.00
1481FE6K		15.00	6.00	15.00	5.00	6.00
1481FE8K		15.00	8.00	15.00	6.00	8.00
1481FE10K		15.00	10.00	15.00	8.00	10.00

Steel Part No.	Stainless Steel Part No.	Foot Height	Enclosure Depth	Dimensions (each)		
				A	B	C
1481FE12K		15.00	12.00	15.00	8.00	12.00
1481FE16K		15.00	16.00	15.00	10.00	16.00
1481FE18K		15.00	18.00	15.00	10.00	18.00
1481FE24K		15.00	24.00	15.00	10.00	24.00
1481FG6K		18.00	6.00	18.00	5.00	6.00
1481FG8K		18.00	8.00	18.00	8.00	8.00
1481FG10K		18.00	10.00	18.00	8.00	10.00
1481FG12K		18.00	12.00	18.00	8.00	12.00
1481FG16K		18.00	16.00	18.00	10.00	16.00
1481FK6K		24.00	6.00	24.00	5.00	6.00
1481FK8K		24.00	8.00	24.00	8.00	8.00
1481FK10K	1481FK10KSS	24.00	10.00	24.00	8.00	10.00
1481FK12K	1481FK12KSS	24.00	12.00	24.00	10.00	12.00
1481FK16K		24.00	16.00	24.00	12.00	16.00

Data subject to change without notice