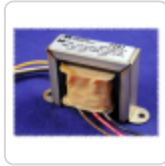


## General Replacement Tube Output (8 Watt) Push-Pull 125J Series

Audio

### Features

- Designed for general purpose or replacement use in push-pull tube output circuits.
- Frequency response: 150 Hz. - 15 KHz (+/- 1db max. ref. 1 KHz)
- Open style with minimum 10" long primary & secondary leads.
- Also see our **125H Series**.
- For single ended use, see our **125SE Series**.
- For more impedance options, see our universal impedance push-pull **125 Series**

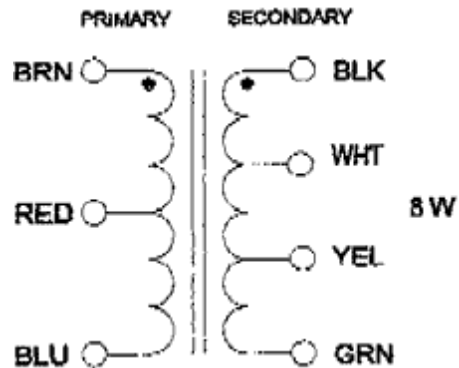
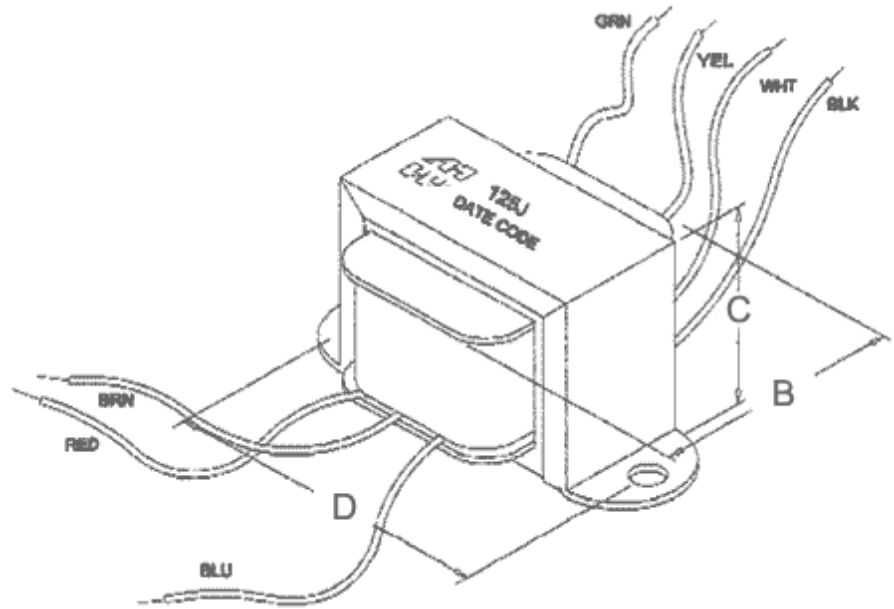


Ask About  
Custom  
Transformers  
& Chokes



**Classic**

**RoHS**



Part No.	Audio Watts	Primary	Secondary	Primary Inductance	Weight (lbs.)	Overall Dimensions				Mounting
		Impedance (Ohms)	Impedance (Ohms)			A	B	C	D	Hole G
125J	8	2.5K or 4K	6/8 or 3.2/4	5.60 H	1	3.25	1.50	1.94	2.81	0.19

Hook Up Data

<b>PRIMARY IMPEDANCE Plate to Plate Brown to Blue  (Ohms)</b>	<b>SECONDARY IMPEDANCE  (Ohms)</b>	<b>USE SECONDARY LEAD CONNECTIONS</b>
4,000 C.T.	41857	WHT - GRN
4,000 C.T.	3.2 / 4	WHT -YEL
2,500 C.T.	41857	BLK - GRN
2,500 C.T.	3.2 / 4	BLK - YEL

*Data subject to change without notice*