

Tube Output (25 - 75 Watts) Single Ended - HI-FI 1627-1642 Series

Features



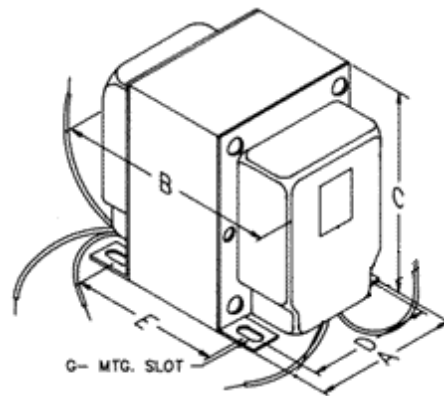
- "Over designed" for high fidelity, single ended, Class-A, tube output circuits (triode, tetrode or pentode tubes).
- Enclosed (shielded), four slot, chassis Type "X" mounting.
- Frequency response at least 20 Hz. to 20 KHz. at full rated power (+/- 1 db max., ref. 1 KHz.)
- Insulated flexible leads 8" min.
- For maximum versatility, all units (except the 1642SE & 1638SEA) include a 40% screen tap for Ultra-Linear, tetrode/pentode operation (if desired). The 1642SE & 1638SEA do NOT include this screen tap as they were designed principally for high impedance triode tubes.
- High quality laminations, (M6) grain oriented silicon steel.
- Core is gapped to reduce core saturation in Class-A tube amplifier circuits.
- For general purpose or replacement use in single ended tube output circuits see our **125SE Series**.

Ask About
Custom
Transformers
& Chokes



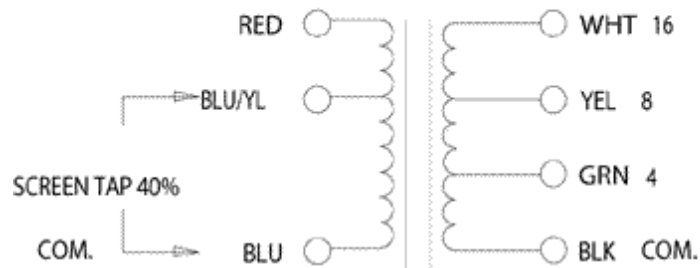
Classic

RoHS



PRIMARY

SECONDARY



Part No.	Audio Watts	Impedance (Ohms)	Primary		Ultra-Linear 40% Primary Tap	Secondary Impedance (Ohms)	Hipot Test (VRMS)	Weight (lbs.)	Overall Dimensions					Mounting Slot
			Max. DC Bias	Inductance					A	B	C	D	E	
1626SEA	25	600	250 ma.	2.9 Henrys	Yes	4-8-16	2000	11	3.75	4.44	4.56	3.00	3.31	0.20 x 0.38
1640SEA	30	1250	200 ma.	14 Henrys	Yes	4-8-16	2000	11	3.75	4.94	4.56	3.00	3.81	0.20 x 0.38
1627SEA	30	2500	160 ma.	20 Henrys	Yes	4-8-16	2000	11	3.75	4.94	4.56	3.00	3.81	0.20 x 0.38

Part No.	Audio Watts	Impedance (Ohms)	Primary Max. DC		Ultra-Linear 40% Primary Tap	Secondary Impedance (Ohms)	Hipot Test (VRMS)	Weight (lbs.)	Overall Dimensions					Mounting Slot G	
			Bias	Inductance					A	B	C	D	E		
1630SEA	30	3500	135 ma.	15 Henrys	Yes	4-8-16	2000	11	3.75	4.94	4.56	3.00	3.81	0.20	x 0.38
1628SEA	30	5000	120 ma.	48 Henrys	Yes	4-8-16	2000	11	3.75	4.94	4.56	3.00	3.81	0.20	x 0.38
1642SE	75	5000	300 ma.	53 Henrys	No	4-8-16	3500	28	4.38	7.50	5.25	3.50	5.88	0.20	x 0.38
1629SEA	30	6500	100 ma.	55 Henrys	Yes	4-8-16	2000	11	3.75	4.94	4.56	3.00	3.81	0.20	x 0.38
1638SEA	30	10000	90 ma.	88 Henrys	No	4-8-16	2000	11	3.75	4.94	4.56	3.00	3.81	0.20	x 0.38

- RED wire connects to B+
- BLUE/YELLOW wire connects to screen (optional use)
- BLUE wire connects to the tube plate
- The 1642SE & 1638SEA do not include a primary screen tap (as they are designed for triode applications).

Suggested Tube Types:

Part No.	Triodes	Pentodes
1626SEA	6C33	-
1640SEA	Parallel - 2A3, 6A3, 6B4G, 300B, 572B, 811A	Parallel - 6550, 6CA7
1627SEA	2A3, 6A3, 6B4G, 300B	6CA7, 6L6, 807, 5881, 6550, Parallel - 6AQ5, 6V6, EL84
1630SEA	2A3, 6A3, 6B4G, 300B	6CA7, 6L6, 807, 5881, 6550, Parallel - 6AQ5, 6V6, EL84
1628SEA	211, 300B, 572B, 811A	6AQ5, 6V6, 6L6, 807, 5881, 6550, EL84
1642SE	Parallel - 211, 572, 811A, 845	-
1629SEA	211, 811A, 572B, 845	6AQ5, 6V6, 6L6, 807, 5881, 6550, EL84
1638SEA	211, 845	-

Notes: The above examples of possible combinations are to help you narrow down the choices of transformers for your favorite tube types. How you operate the tubes (ultra-linear, bias, plate voltage, operating points, etc.) will change optimum plate load impedance. Only a few of the most popular tubes are shown. A tube manual or tube manufacturer's technical data sheets should be consulted first, before making a decision on a proper output transformer.

Data subject to change without notice