

Heavy Current Chassis Mount 195-196 Series

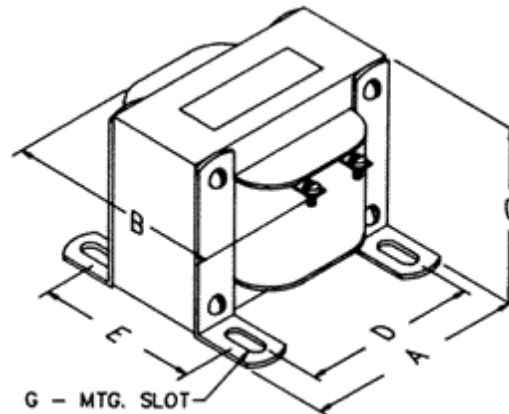
Features



Ask About
Custom
Transformers
& Chokes



- Open core & coil, 4-slot bracket mounting chokes.
- Tolerance of 15% on both inductance & resistance.
- Inductances measured at rated D.C. current.
- The "195" series is single coil
- The "196" series is dual coil - allowing more versatility
- Recommended maximum operating voltage 600 VAC (winding to core).
- Hipot tested at 2,500 VAC
- Connections are made to a screw terminal or heavy copper tabs with holes
- Perfect for high current power supply filtering.
- All chokes are UL approved under **Type 3AH**, E207860, 30V7
- For AC applications 60 Hz to 10,000 Hz try our **197 Series**



195 Series

| Part No. | Inductance mH (Millihenries) | D.C. Current (Amps) | Resistance (Ohms) | Insulation Class | Dimensions | | | | | Mounting Slot | | Weight (lbs.) | |
|----------|---------------------------------|------------------------|----------------------|---------------------|------------|------|------|------|------|---------------|---|------------------|------|
| | | | | | A | B | C | D | E | G | | | |
| 195A200 | 0.3 | 200 | 0.0012 | - | 7.50 | 7.00 | 6.50 | 6.00 | 5.25 | 0.28 | x | 0.56 | 46 |
| 195B100 | 0.5 | 100 | 0.002 | - | 6.38 | 6.25 | 5.38 | 5.25 | 4.13 | 0.28 | x | 0.56 | 31 |
| 195B150 | 0.5 | 150 | 0.0018 | B | 5.25 | 5.50 | 4.47 | 4.38 | 4.13 | 0.28 | x | 0.56 | 26 |
| 195C20 | 1 | 20 | 0.013 | A | 3.00 | 3.06 | 2.50 | 2.50 | 2.25 | 0.20 | x | 0.38 | 3 |
| 195C30 | 1 | 30 | 0.010 | A | 3.75 | 3.85 | 3.13 | 3.13 | 2.50 | 0.20 | x | 0.38 | 6 |
| 195C50 | 1 | 50 | 0.006 | A | 4.50 | 5.25 | 3.75 | 3.75 | 3.50 | 0.20 | x | 0.38 | 14.5 |
| 195C75 | 1 | 75 | 0.004 | A | 5.25 | 6.00 | 4.47 | 4.38 | 4.63 | 0.28 | x | 0.56 | 23 |
| 195C100 | 1 | 100 | 0.0036 | B | 5.25 | 6.50 | 4.47 | 4.38 | 5.13 | 0.28 | x | 0.56 | 26 |
| 195D50 | 1.4 | 50 | 0.005 | - | 6.38 | 5.50 | 5.38 | 5.25 | 3.88 | 0.28 | x | 0.56 | 28 |
| 195E20 | 2.5 | 20 | 0.022 | A | 3.75 | 4.20 | 3.13 | 3.13 | 2.75 | 0.20 | x | 0.38 | 6.5 |
| 195E30 | 2.5 | 30 | 0.013 | A | 4.50 | 5.25 | 3.75 | 3.75 | 3.50 | 0.20 | x | 0.38 | 12.5 |
| 195E50 | 2.5 | 50 | 0.008 | A | 5.25 | 6.00 | 4.47 | 4.38 | 4.63 | 0.28 | x | 0.56 | 23.5 |

| Part No. | Inductance mH | D.C. Current | Resistance | Insulation | Dimensions | | | | | Mounting Slot | | | Weight (lbs.) |
|----------|----------------|--------------|------------|------------|------------|------|------|------|------|---------------|---|------|---------------|
| | (Millihenries) | (Amps) | (Ohms) | Class | A | B | C | D | E | G | | | |
| 195E75 | 2.5 | 75 | 0.008 | B | 6.00 | 6.63 | 5.16 | 5.00 | 4.88 | 0.28 | x | 0.56 | 32.5 |
| 195E100 | 2.5 | 100 | 0.008 | B | 9.00 | 9.75 | 7.50 | 7.00 | 6.00 | 0.44 | x | 0.75 | 88 |
| 195F30 | 4 | 30 | 0.018 | - | 6.38 | 5.00 | 5.38 | 5.25 | 3.25 | 0.28 | x | 0.56 | 23 |
| 195G10 | 5 | 10 | 0.04 | A | 3.75 | 3.60 | 3.13 | 3.13 | 2.25 | 0.20 | x | 0.38 | 5.5 |
| 195G20 | 5 | 20 | 0.025 | A | 4.50 | 4.75 | 3.75 | 3.75 | 3.00 | 0.20 | x | 0.38 | 10.5 |
| 195G25 | 5 | 25 | 0.014 | - | 5.25 | 6.00 | 4.44 | 4.38 | 3.63 | 0.28 | x | 0.56 | 18 |
| 195G30 | 5 | 30 | 0.020 | A | 5.25 | 5.00 | 4.47 | 4.38 | 3.63 | 0.28 | x | 0.56 | 16 |
| 195G50 | 5 | 50 | 0.021 | B | 7.50 | 6.50 | 6.25 | 6.00 | 4.50 | 0.38 | x | 0.63 | 38 |
| 195G75 | 5 | 75 | 0.011 | B | 9.00 | 9.50 | 7.76 | 7.00 | 7.00 | 0.44 | x | 0.75 | 87 |
| 195H20 | 7 | 20 | 0.062 | - | 5.25 | 6.00 | 4.44 | 4.38 | 3.63 | 0.28 | x | 0.56 | 17 |
| 195J10 | 10 | 10 | 0.087 | A | 3.75 | 4.35 | 3.13 | 3.13 | 3.00 | 0.20 | x | 0.38 | 8 |
| 195J12 | 10 | 12.5 | 0.072 | B | 4.12 | 3.25 | 3.44 | 3.44 | 2.34 | 0.20 | x | 0.38 | - |
| 195J20 | 10 | 20 | 0.045 | A | 5.25 | 5.00 | 4.47 | 4.38 | 3.63 | 0.28 | x | 0.56 | 17.5 |
| 195J30 | 10 | 30 | 0.036 | A | 6.00 | 7.50 | 5.00 | 5.00 | 5.88 | 0.31 | x | 0.50 | 36 |
| 195J50 | 10 | 50 | 0.023 | B | 9.00 | 9.75 | 7.50 | 7.00 | 6.25 | 0.44 | x | 0.75 | 79 |
| 195K12 | 15 | 12 | 0.062 | - | 5.25 | 5.50 | 4.44 | 4.38 | 3.13 | 0.28 | x | 0.56 | 14 |
| 195K16 | 15 | 16 | 0.062 | - | 5.25 | 6.00 | 4.44 | 4.38 | 3.63 | 0.28 | x | 0.56 | 17 |
| 195M10 | 20 | 10 | 0.135 | A | 4.50 | 4.75 | 3.75 | 3.75 | 3.00 | 0.20 | x | 0.38 | 10.2 |
| 195M20 | 20 | 20 | 0.079 | A | 6.00 | 7.50 | 5.00 | 5.00 | 5.88 | 0.31 | x | 0.50 | 34 |
| 195M30 | 20 | 30 | 0.065 | B | 6.00 | 7.63 | 5.16 | 5.00 | 5.88 | 0.28 | x | 0.56 | 41 |
| 195P5 | 30 | 5 | 0.23 | A | 3.75 | 4.20 | 3.13 | 3.13 | 2.75 | 0.20 | x | 0.38 | 6.5 |
| 195P8 | 30 | 8 | 0.3 | - | 4.12 | 3.75 | 3.50 | 3.43 | 3.00 | 0.20 | x | 0.38 | - |
| 195P10 | 30 | 10 | 0.17 | A | 4.50 | 5.25 | 3.75 | 3.75 | 3.50 | 0.20 | x | 0.38 | 16 |
| 195P20 | 30 | 20 | 0.123 | B | 5.25 | 6.91 | 4.47 | 4.38 | 5.54 | 0.28 | x | 0.56 | 28 |
| 195Q2 | 35 | 2 | 0.61 | B | 2.63 | 2.00 | 2.21 | 2.19 | 1.75 | 0.19 | x | 0.38 | - |
| 195Q6 | 40 | 6 | 0.4 | - | 3.75 | 3.62 | 3.25 | 3.12 | 3.00 | 0.20 | x | 0.38 | - |
| 195R10 | 50 | 10 | 0.163 | A | 5.25 | 5.50 | 4.47 | 4.38 | 4.13 | 0.28 | x | 0.56 | 26 |
| 195R20 | 50 | 20 | 0.13 | B | 9.00 | 8.25 | 7.50 | 7.00 | 5.75 | 0.44 | x | 0.75 | 72 |
| 195S2 | 70 | 2 | 0.9 | - | 3.37 | 2.75 | 2.87 | 2.81 | 2.12 | 0.20 | x | 0.38 | - |
| 195S4 | 70 | 4 | 0.6 | - | 3.75 | 3.25 | 3.13 | 3.13 | 2.50 | 0.20 | x | 0.38 | - |
| 195T1 | 100 | 1 | 1.5 | - | 3.00 | 2.50 | 2.50 | 2.50 | 2.00 | 0.20 | x | 0.38 | - |
| 195T5 | 100 | 5 | 0.64 | A | 4.50 | 5.25 | 3.75 | 3.75 | 3.50 | 0.20 | x | 0.38 | 14 |
| 195T10 | 100 | 10 | 0.400 | B | 7.50 | 6.00 | 6.25 | 6.00 | 4.25 | 0.38 | x | 0.63 | 35 |

196 Series - Dual Coil - Heavy Current Chokes

| Part No. | Parallel Connected | | Series Connected | | Resistance | Insulation Class | Overall Dimensions | | | | | Mounting Slot | Weight (lbs.) |
|----------|------------------------------|---------------------|------------------------------|---------------------|-----------------------|------------------|--------------------|------|------|------|------|---------------|---------------|
| | Inductance mH (Millihenries) | D.C. Current (Amps) | Inductance mH (Millihenries) | D.C. Current (Amps) | (Each Winding) (Ohms) | | A | B | C | D | E | G | |
| 196B50 | 0.125 | 100 | 0.5 | 50 | 0.018 | - | 4.50 | 4.50 | 3.75 | 3.75 | 3.00 | 0.28 x 0.56 | 8.00 |
| 196D25 | 0.3 | 50 | 1.2 | 25 | 0.006 | - | 3.75 | 4.25 | 3.13 | 3.13 | 2.75 | 0.28 x 0.56 | 6.45 |
| 196G12 | 1.2 | 24 | 4.8 | 12 | 0.024 | - | 3.38 | 3.56 | 2.81 | 2.81 | 3.00 | 0.20 x 0.38 | 6 |
| 196K6 | 3 | 12 | 12 | 6 | 0.052/0.056 | - | 3.37 | 3.06 | 2.81 | 2.81 | 2.50 | 0.20 x 0.38 | 4.45 |
| 196M4 | 5 | 8 | 20 | 4 | 0.11 | - | 3.00 | 2.87 | 2.50 | 2.50 | 2.50 | 0.20 x 0.38 | 3.3 |
| 196Q2 | 10 | 4 | 40 | 2 | 0.24 | - | 3.12 | 2.12 | 2.75 | 2.81 | - | 0.19 | 1.85 |
| 196S1 | 18 | 2 | 72 | 1 | 0.553 | - | 2.00 | 2.00 | 2.31 | 2.38 | - | 0.19 | 1.4 |

Data subject to change without notice

