

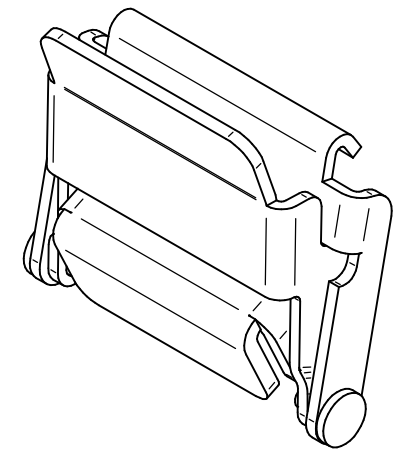
PART No. 14QRS16

for more information visit

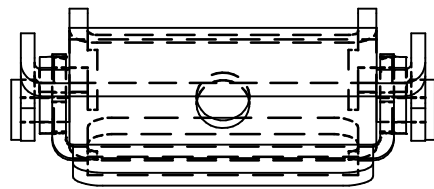
www.hammondmfg.com

Data subject to change without notice

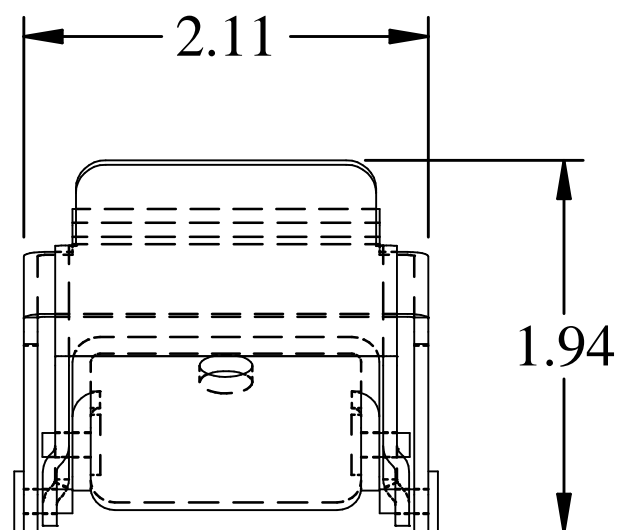
Isometric drawing Not to Scale



ISOMETRIC VIEW



TOP VIEW



FRONT VIEW



SIDE VIEW