

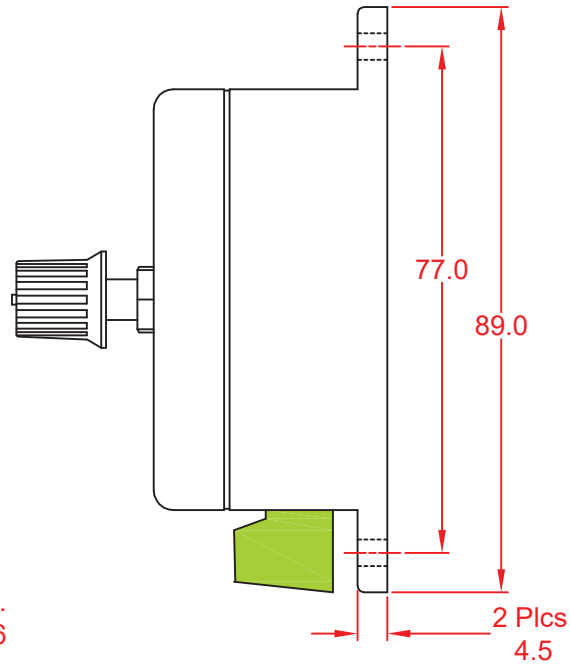
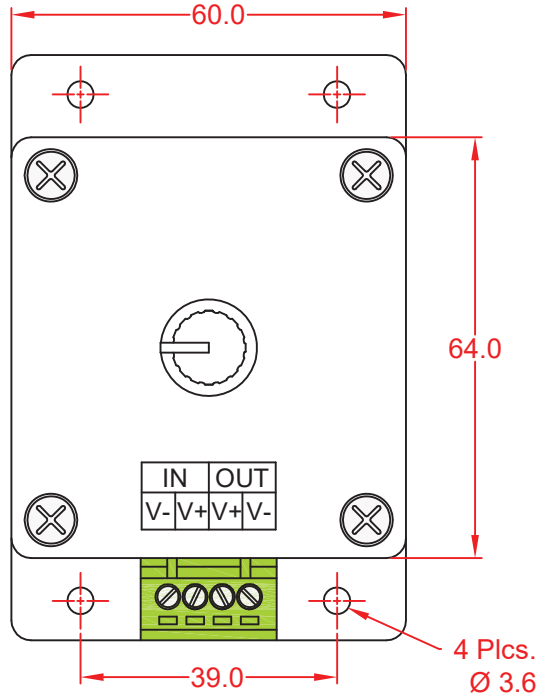
PWM LED DIMMER

FEATURES:

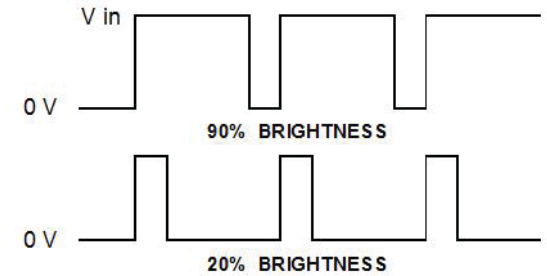
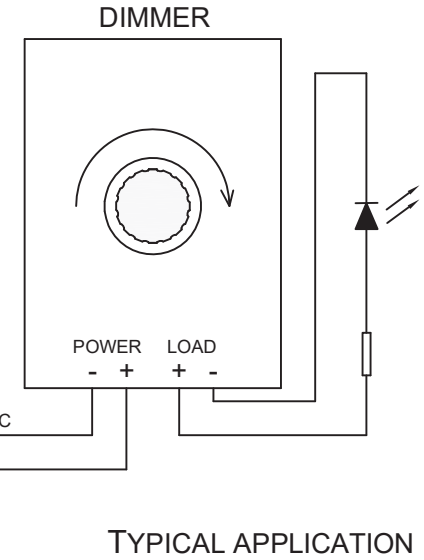
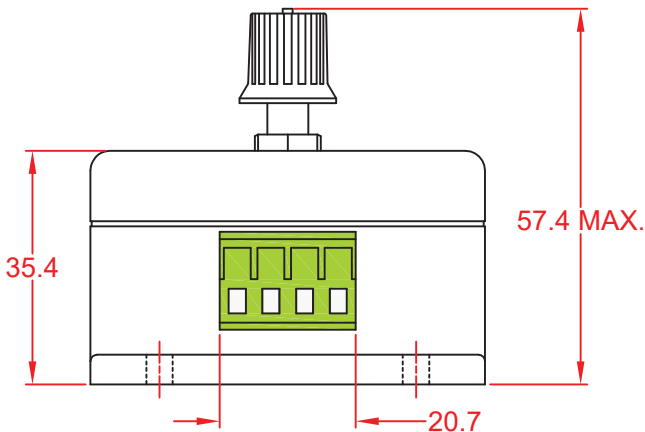
- Will operate on 12V or 24V DC
- Up to 8 Amps of available current drive
- Pulse width modulated output for smooth transition from 100%-20% brightness
- Operation temperature -20° C to +60°C
- Low power consumption (less than 1 Watt)



REV.	DESCRIPTION/ECO NO.	DATE
	RELEASED	6/15/10
A	ADD ELECTRICAL CHART	4/14/11
B	CHANGE 24V ON ELECT. CHART	4/26/11
C	ADD FEATURES NOTE & PHOTO	6/24/13
D	ADDED DIMENSIONS	12/19/14
E	NEW PHOTO	7/19/16
F	OMIT 5, 6V OPERATION	3/30/21



Shaft Diameter - 6.0mm
Rotation Angle - 120°



JKL PART NO.: ZDM-01

METRIC		DIMENSIONS ARE IN MILLIMETERS		JKL COMPONENTS CORPORATION			
 THIRD ANGLE PROJECTION		TOLERANCE UNLESS OTHERWISE SPECIFIED 1 PL +/- REF. 2 PL +/- REF. ANGLE +/- REF.		TITLE			
DRAWN BY L. WENGSTROM		APPVD BY S.N.		DATE 3/30/21		FSCM NO. 55335	
- CAD DRAWING - MANUAL REVISIONS NOT PERMITTED		SCALE NOT TO SCALE		DRAWING NO. ZDM-01		REV. NO. F	
		RELEASED DATE 6/15/10		REVISION DATE 3/30/21		SHEET 1 OF 1	