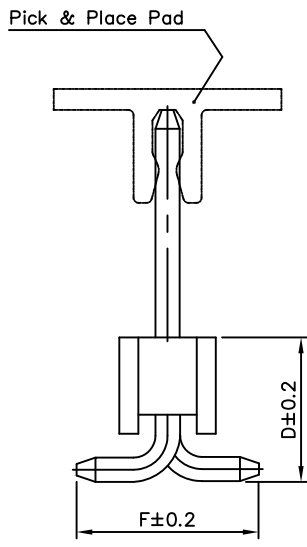
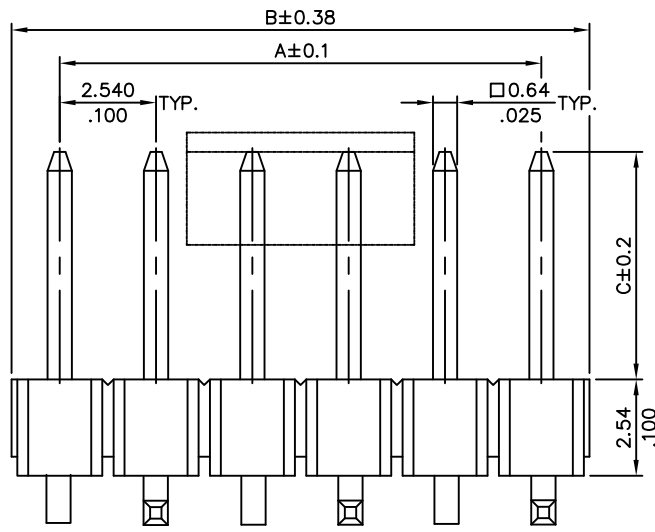


Recommended P.C. Board Layout



DIM. A = 2.54 X No. of Spaces
 DIM. B = DIM. A + 2.36
 * Available in 02 through 40 Circuits

Option Code	Dimension			STANDARD
	C	D	F	
00	6.00(.236)	3.81(.150)	4.8(.189)	
01	3.50(.138)	7.80(.307)	4.8(.189)	
02	4.50(.177)	7.80(.307)	4.8(.189)	

contact OST for other options, may require MOQ

SIGN	DATE	DESCRIPTION	APPROVER
		THIS IS CAD DRAWING, DO NOT REVISE MANUALLY!!!	

- Material:
- Insulator: Nylon 6T with 30%GF, UL94V-0, Black
 - Pick & Place Pad: Nylon 6T, UL94V-0
 - Square Pin: Brass

- Electrical:
- Current: 1A
 - Voltage: 250V AC(r.m.s.)
 - Insulation Resistance: >1000 MΩ
 - Contact Resistance: <20mΩ
 - Dielectric Voltage: 1000VAC/minute
 - Operating Temperature: -40°C ~ +105°C
 - Process Temperature: 250°C ~ 260°C 20 sec. max

Part Number

PLATING:
 1: Full Flash Gold (STD)
 5: Tin
 7: Selective 15u" Gold
 8: Selective 30u" Gold
 non STD may require MOQ

OPTION CODE - leave blank for standard
 SEE CHART

PH6-XXXXXX

of circuits

Packaging
 leave blank = Tube (standard)
 R0= Tape/Reel
 RP= Tape/Reel w/pick up pad

RoHS Compliant

THESE DRAWINGS AND SPECIFICATIONS ARE THE PROPERTY OF ON-SHORE TECHNOLOGY, INC. AND SHALL NOT BE REPRODUCED, COPIED OR USED IN ANY MANNER WITHOUT THE PRIOR WRITTEN CONSENT OF ON-SHORE TECHNOLOGY, INC.

OST ON-SHORE TECHNOLOGY, INC.

TITLE		PH6 Series, 2.54mm Single row male vertical header, SMT			
PART NO.	PH6-XX1	DWG NO.	PH6-XX1.DWG		
APPROVED	CHECKED	DESIGNED	DRAWN	4050	
Shi Jun 2007.09.06	Marvin 2007.09.06	Marvin 2007.09.06	Marvin 2007.09.06	Tolerance XX ±0.25/.010 X.XX ±0.15/.006 X.XXX ±0.10/.004 X* ±1°	
SHEET: 01/01				REV.: B	