

SIMO Switching Regulators: Extending Battery Life for Hearables and Wearables

*By Cary Delano, Distinguished Member of Technical Staff,
and Gaurav Mital, Principal Member of Technical Staff,
Mobile Solutions Business Unit, Maxim Integrated*

November 2017

Abstract

Consumers expect hearables, wearables, and other ultra-small electronic devices to be long on battery life despite their tiny form factor. Yet, clearly, the device size does limit the battery capacity. This paper discusses how to gain some of that space back by using a switching regulator based on a single-inductor multiple-output (SIMO) power converter architecture. The SIMO architecture, along with the regulator's low quiescent current, enable the IC to extend battery life for space-constrained electronic products.

This paper will help you gain a deeper understanding of SIMO technology and how it works. You will also learn about power management ICs (PMICs) featuring the SIMO regulator that reduce power dissipation and overall component count, while providing the same functionality of traditional solutions in less than half the space.

Introduction

Meeting the Battery Life Demands of Tiny Devices



*SIMO architecture
provides high
efficiency*

When you wear your earbuds for a long hike or an afternoon working on a big project, you don't want to be interrupted by having to stop and recharge the earpieces. You expect your hearables, wearables, and other tiny, battery-powered electronic devices to perform reliably over long periods of time.

From a design standpoint, these user expectations are a tall order to meet. The form factor constraints dictate the need for a small Li+ battery, which must last a

long time between charge cycles and be utilized sparingly. Power supplies, in turn, must meet the distinct and diverse voltage requirements of the sub-systems within the design.

The SIMO architecture provides an optimal solution for these systems, integrating functionality that would otherwise require multiple discrete components. Let's take a closer look at what a SIMO architecture is and how it works for buck-boost regulators.

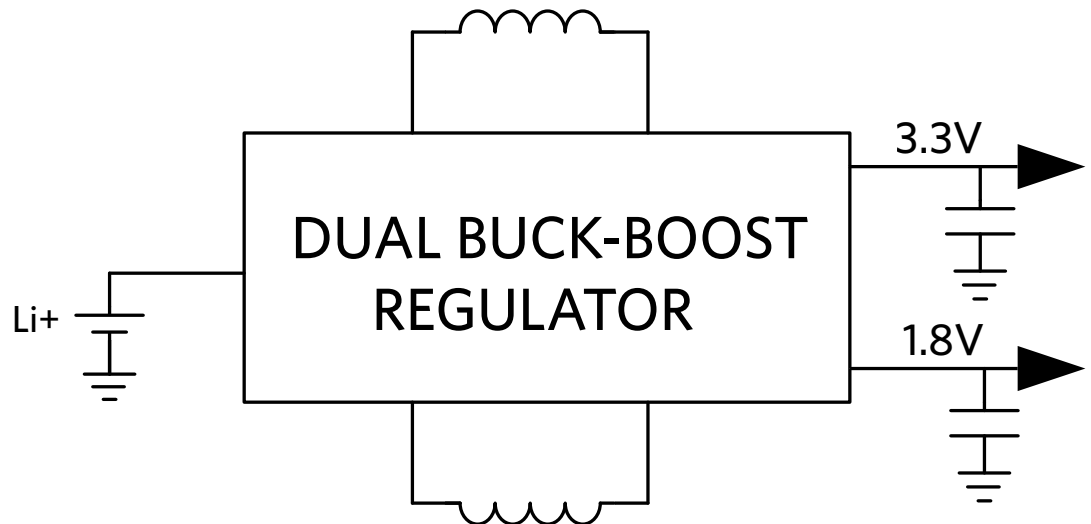


Figure 1: Traditional architecture for a buck-boost switching regulator

SIMO Architecture Overview

In a traditional multiple switching-regulator topology, each switching regulator needs a separate inductor (*Figure 1*). The inductors are physically large and costly, and this is a disadvantage for small form factor products. The other option is to use linear regulators, which are fast, compact, and low noise, but have higher power dissipation. There's also the hybrid alternative of using multiple low-dropout regulators (LDOs), in conjunction with DC-DC converters. However, while this configuration would result in intermediate power and heat dissipation, it still yields a larger design than LDOs alone.

The featured buck-boost SIMO converter can regulate up to three output voltages over wide output voltage ranges using a single inductor. The buck-boost topology

helps to better utilize the inductor since it requires less time to service each channel as compared to a buck-only SIMO.

The weakness of a buck-only SIMO is magnified as one or more output voltages approaches the input voltage. A buck-only SIMO will suffer when an output voltage approaches the battery voltage. At this time, a buck-only SIMO requires the inductor for too much time, which impacts other channels.

Sometimes, an inductor cannot be avoided in the system. Even though they are small, an LDO can never provide a boost feature by itself. Since the SIMO requires only one inductor, solutions that require at least one boost voltage are almost always better with a buck-boost SIMO.

The inductor saturation current (I_{sat}), a measure of electrical current when the inductance drops to 70% of its value, is determined by the inductor's core size for

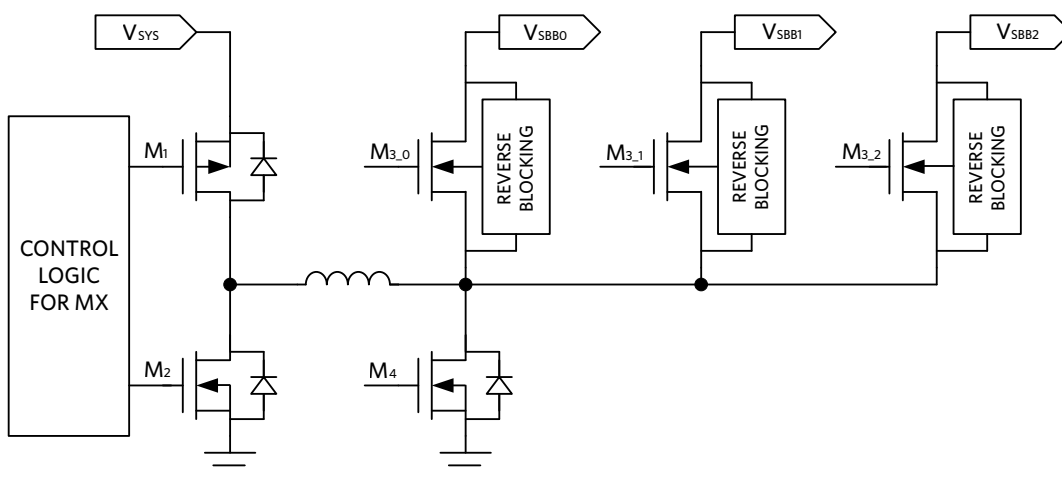


Figure 2: SIMO architecture block diagram



SIMO architecture makes better use of inductor

a given core material and construction. Using one inductor in a SIMO architecture offers various advantages versus using separate DC-DC converters:

- When allowed by the system, you can better utilize Z-height
- Cost savings and footprint are improved since you don't have to use as many inductors as compared to the traditional solution
- Time multiplexing, when different features are often not used simultaneously. This benefit manifests when the total supply current is less than the sum of the individual output requirements. For example, you might have events that happen sequentially using different rail voltages. In some Bluetooth systems, for instance, data can be downloaded before it activates a function. That means the power associated with the radio are on at different times than the activated function(s). Thus, the total I_{sat} required for the SIMO inductor is less than would be required for separate converters.
- RMS (current rating for inductors)—even though channels are not time-multiplexed, the peak power consumption of features often doesn't happen at the same time, which can also lower the total inductor I_{sat} requirements

Overcoming SIMO Architecture Compromises

Using a SIMO architecture is not without tradeoffs. As such, a thoughtful approach to the design is important. For example,

the output voltage ripple will often be higher because there is a single inductor providing buckets of energy to alternate outputs. Also, as a SIMO is heavily loaded, it becomes time-limited and there can be delay in servicing each channel, which can further increase output voltage ripple. Using larger output caps offsets these sources of output voltage ripple while maintaining a net footprint/BOM advantage.

New power management ICs (PMICs) from Maxim, the MAX77650 and MAX77651, provide a careful balance of these tradeoffs. These PMICs were designed with micropower SIMO buck-boost DC-DC converters. An integrated 150mA low-dropout regulator (LDO) in the PMICs provides ripple rejection for noise-sensitive applications such as audio. Optional resistors (24Ω) in series with serial data line (SDA) and serial clock line (SCL) minimize crosstalk and undershoot on bus signals, while also protecting device inputs from high-voltage spikes on the bus lines. Every block in these regulators has low quiescent current ($1\mu\text{A}$ per output), which helps extend the end application's battery life. Since the IC always operates in discontinuous conduction (DCM) mode, the inductor current goes to zero at the end of each cycle to further minimize crosstalk and prevent oscillation.

The SIMO converter utilizes the whole battery voltage range, as each output has the benefit of being a buck-boost configuration, which creates output voltages that are above, below, or equal to the input voltage. Since peak inductor current for each output is programmable, you can optimize the balance between efficiency, output ripple, electromagnetic interference (EMI), PCB design, and load

capability. Efficiency on these ICs is rated at more than 85% at 3.3V output.

This SIMO architecture finds the optimal balance between low power consumption and form factor. The low power consumption is extremely important for very small applications that are unable to dissipate much heat. **Figure 3** illustrates how the MAX77650 PMIC is optimal in terms of heat dissipation and form factor compared to configurations utilizing DC-DC converters with multiple LDOs or simply multiple DC-DC converters.

The SIMO control scheme in the MAX77650/1 involves a proprietary controller that ensures that all of the outputs get serviced in a timely manner. If there aren't any regulators requiring service, the state machine simply rests in a low-power state. Once the controller recognizes that a regulator needs service, it charges the inductor until the peak current limit is reached. Subsequently,

the inductor energy discharges into the associated output until the current reaches zero. Should multiple output channels require servicing simultaneously, the controller ensures that no output utilizes all of the switching cycles. What happens instead is, the cycles interleave between all of the outputs that require service. The outputs that don't need service are skipped.

The SIMO architecture also offers a soft-start feature, which minimizes in-rush current. This soft-start feature is implemented by limiting the slew rate of the output voltage during startup. For complete, timely power down of system peripherals, each SIMO buck-boost channel has an active-discharge feature that is automatically enabled independently for each SIMO channel based on the status of the SIMO regulator (the active-discharge feature can also be disabled via I²C).



Low quiescent current plus SIMO architecture ideal for ultra-small electronics

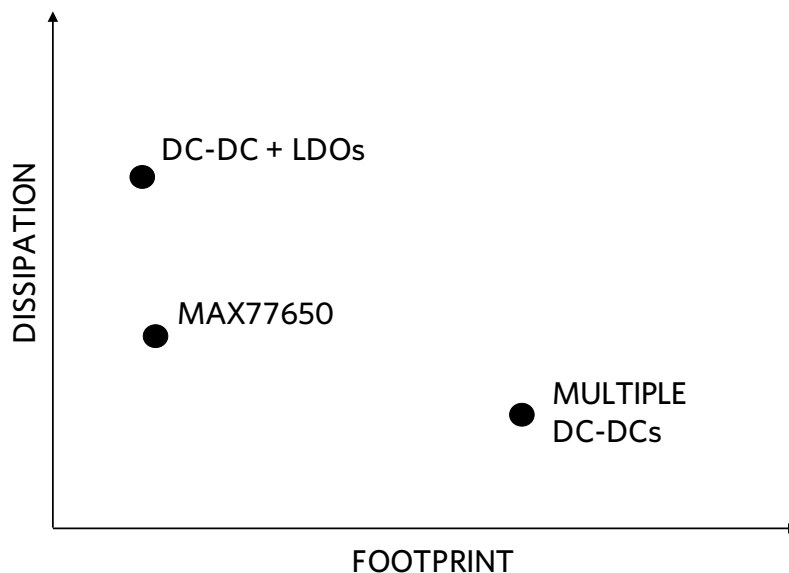


Figure 3: The MAX77650 PMIC provides low heat dissipation and small footprint for space-constrained, battery-powered devices such as hearables and wearables.

Power Performance: SIMO vs. Conventional Architecture

Figure 4 shows a block diagram for a possible power tree utilizing the MAX77650. As you can see, three of the four loads connect to the Li+ battery via the high-efficiency SIMO switching regulator. The fourth load is powered by the LDO from the 2.05V SIMO output, achieving 90.2% efficiency (1.85V/2.05V).

Table 1 compares power performance between a traditional architecture and the SIMO architecture. (Please refer to the Design Solution, “Hearables Get Longer Life with SIMO” link included in the Learn More section below for additional insights.)

A SIMO calculator is available to help you explore the tradeoffs associated with SIMO parameters. See the Learn More section below for a link to the calculator.

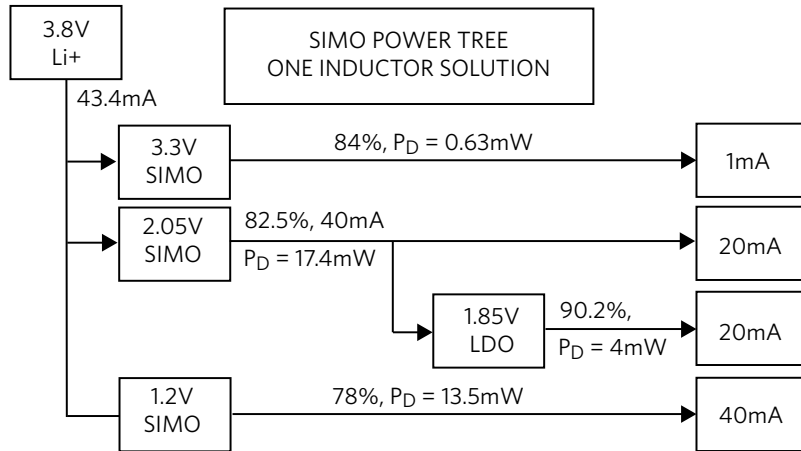


Figure 4: MAX77650 power tree with each regulator’s output voltage, load current, efficiency, and power dissipation.

Parameter	Traditional Solution	SIMO	SIMO Advantage
Li+ Battery Current	49mA	43.5mA	SIMO saves 5.6mA
System Efficiency	69.5%	78.4%	SIMO is 8.9% more efficient
Minimum Li+ Battery Voltage	3.4V due to 3.3V LDO	2.7V	SIMO allows more discharge

Table 1: Power performance of SIMO architecture versus traditional architecture.

The SIMO output voltage ripple is a function of:

- a. Output capacitor
- b. Inductance
- c. Output voltage setting
- d. Peak current limit setting

The SIMO available output current is a function of:

- a. Input voltage
- b. Output voltage
- c. Peak current limit setting
- d. Output current of the other SIMO channels

The SIMO switching frequency is a function of:

- a. Input voltage
- b. Output voltage
- c. Peak current limit setting
- d. Inductance

On the calculator tab of this spreadsheet-based tool, you can simply enter the system parameters in the corresponding values cell within the top section of rows. The calculated values that are deemed the most interesting are highlighted in yellow. If a parameter is considered to be outside the normal region, the cell will be highlighted in red. The comments section provides guidance on ways to enhance your design.

Summary

For hearables, wearables, and similarly small, battery-operated electronics, long battery life is essential for customer satisfaction. Compared to traditional buck-boost topologies, the SIMO architecture reduces component count and often extends battery life. This paper examined PMICs integrated with SIMO switching regulators that are ideal for meeting the challenges of ultra-low-power, space-constrained applications.

Learn More

- Evaluate the SIMO buck-boost regulator and other components in the PMICs with the MAX77650/MAX77651 evaluation kits:

<https://www.maximintegrated.com/en/products/power/battery-management/MAX77650EVKIT.html>

- Learn more about the MAX77650:

<https://www.maximintegrated.com/en/products/power/power-management-ics/MAX77650.html>

- Read the Design Solution, “Hearables Get Longer Life with SIMO”:

<https://www.maximintegrated.com/content/dam/files/design/technical-documents/design-solutions/DS26-Hearables-Get-Longer-Life-with-SIMO.pdf>

- Check out the SIMO Calculator (see the Additional Resources section of this page):

<https://www.maximintegrated.com/en/products/power/power-management-ics/MAX77650.html/design-development/tb-tabs-3>

Learn more

For more information, visit:

www.maximintegrated.com