

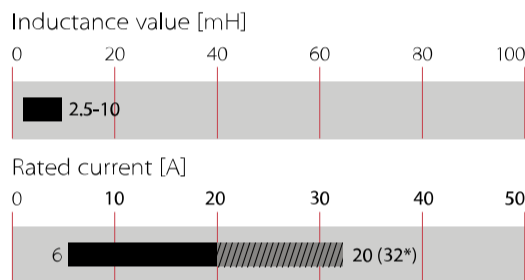
# Current-compensated Chokes



- Rated currents from 6 to 20 A
- Up to 600 VAC and VDC
- 2- and 3-wire configurations
- Horizontal and vertical PCB mounting types
- Ruggedized saturation and thermal behavior
- Open construction for forced and convection cooling
- Straightforward pin-out for easy PCB design



### Performance indicators



### Approvals & Compliances

## RoHS

RT common-mode chokes are mainly used to filter EMI noise on AC power lines up to 600 VAC. EMI noise of electronic equipment can go to the power lines and disturb the proper function of other devices like communication devices or control logic of robotics. Thus noise generated by the equipment from switched power electronics or by high slew rates of controllers needs to be filtered. RT common-mode chokes are used to suppress EMI noise in PCB integrated filter designs with line bypass capacitors or in combination with single phase filters for extra low leakage filter designs.

### Features and Benefits

- Cost-effective PCB designs for up to 32 A with forced cooling \*
- Compact size and light weight
- Low magnetic leakage flux
- Excellent winding insulation
- Standardized foot print
- Broad range of inductance ratings
- Custom-specific versions on request

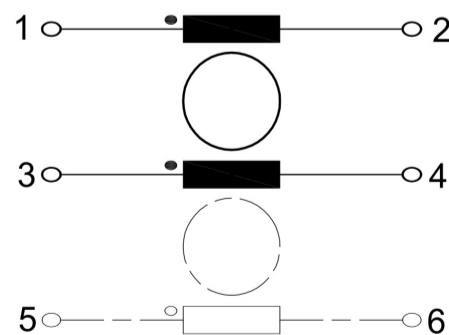
## Technical Specifications

|  |  |
|--|--|
| <b>Maximum continuous operating voltage</b>                  | 600 VAC (3-line) and 300 VAC/425 VDC (2-line)    |
| <b>Operating frequency</b>                                   | dc to 400 Hz                                     |
| <b>High potential test voltage winding-to-winding @ 25°C</b> | 2500 VAC, 60 sec, guaranteed, 2 sec factory test |
| <b>Temperature range (operation and storage)</b>             | -40°C to +100°C (40/100/56)                      |
| <b>Flammability corresponding to</b>                         | UL 94 V-0  |
| <b>Cooling</b>   | convection/forced cooling                        |
| <b>MTBF @ 40°C/230 V (Mil-HB-217F)</b>                       | >5,000,000 hours                                 |
| <b>Rated currents</b>  | 6 to 20 A  |

## Typical Applications

- AC and DC filtering for midsize power range drives, photovoltaic inverters, fast chargers, charging stations, UPS and switch mode power supplies
- Filter with low leakage current noise or improved immunity against grid disturbances
- Electronic devices, automation and (industrial) LED lighting
- Communication devices
- Medical and laboratory Equipment
- Converters

### Typical electrical schematic



### RT Series

| Selection table | Buy | convection cooling nominal current @ 60°C [A] | *forced cooling 3 m/s nominal current @ 60°C [A] | Inductance Ln @ 25°C 100kHz [mH/path] | **typ. Inductance Ls @ 25°C 100kHz [μH/path] | Resistance R @ 25°C [mΩ/path] | Choke [size] | ***Ø Pin ±0.1 ØP [mm] | Weight [g] |
|-----------------|-----|---|--|---------------------------------------|--|-------------------------------|--------------|-----------------------|------------|
| RT8122-6-10M0   |     | 6   | 9.5  | 10                                    | 30   | 33                            | 1            | 1.1                   | 80         |
| RT8122-8-8M0    |     | 8   | 12.5   | 8                                     | 24.8   | 21                            | 1            | 1.3                   | 80         |
| RT8122-10-6M0   |     | 10  | 16   | 6                                     | 19.2   | 16                            | 1            | 1.4                   | 80         |
| RT8122-12-5M0   |     | 12  | 19   | 5                                     | 20.5   | 14                            | 2            | 1.5                   | 100        |
| RT8122-16-4M0   |     | 16  | 27   | 4                                     | 17.6   | 10                            | 2            | 1.8                   | 110        |
| RT8122-20-3M0   |     | 20  | 32   | 3                                     | 13.5   | 7                             | 3            | 2                     | 160        |
| RT8522-6-10M0   |     | 6   | 9.5  | 10                                    | 31.5   | 33                            | 4            | 1.1                   | 70         |
| RT8522-8-8M0    |     | 8   | 12.5   | 8                                     | 24   | 21                            | 4            | 1.3                   | 80         |
| RT8522-10-6M0   |     | 10  | 16   | 6                                     | 19.2   | 16                            | 4            | 1.4                   | 80         |
| RT8522-12-5M0   |     | 12  | 19   | 5                                     | 23   | 14                            | 5            | 1.5                   | 90         |
| RT8522-16-4M0   |     | 16  | 27   | 4                                     | 18.8   | 10                            | 5            | 1.8                   | 110        |
| RT8522-20-3M0   |     | 20  | 32   | 3                                     | 13.5   | 7                             | 6            | 2.0                   | 150        |
| RT8132-6-6M0    |     | 6   | 9.5  | 6                                     | 18   | 27                            | 7            | 1.1                   | 80         |
| RT8132-8-4M8    |     | 8   | 12.5   | 4.8                                   | 14.9   | 17                            | 7            | 1.3                   | 90         |
| RT8132-10-4M0   |     | 10  | 16   | 4                                     | 16   | 15                            | 8            | 1.5                   | 110        |
| RT8132-12-3M6   |     | 12  | 19   | 3.6                                   | 14.4   | 12                            | 8            | 1.6                   | 120        |
| RT8132-16-3M0   |     | 16  | 27   | 3                                     | 12   | 8                             | 9            | 1.8                   | 170        |
| RT8132-20-2M5   |     | 20  | 32   | 2.5                                   | 10   | 7                             | 9            | 2.1                   | 190        |
| RT8532-6-6M0    |     | 6   | 9.5  | 6                                     | 18   | 27                            | 10           | 1.1                   | 90         |
| RT8532-8-4M8    |     | 8   | 12.5   | 4.8                                   | 13.9   | 17                            | 10           | 1.3                   | 90         |
| RT8532-10-4M0   |     | 10  | 16   | 4                                     | 16   | 15                            | 11           | 1.5                   | 110        |
| RT8532-12-3M6   |     | 12  | 19   | 3.6                                   | 15.1   | 12                            | 11           | 1.6                   | 120        |
| RT8532-16-3M0   |     | 16  | 27   | 3                                     | 13.8   | 8                             | 12           | 1.8                   | 160        |
| RT8532-20-2M5   |     | 20  | 32   | 2.5                                   | 10.8   | 7                             | 12           | 2.1                   | 190        |

Test conditions: Inductance tolerance: +50%, -30%; Resistance tolerance: +15% @ 25°C; Electrical characteristics @ 25°C: ±2°C

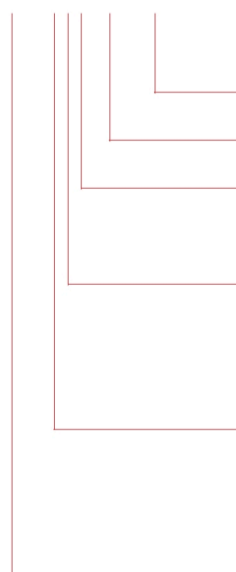
\* typical current for forced cooling with 3 m/s. Due to the possible turbulences and degradation of the air stream within an equipment please consider thermal validation.

\*\* typical stray inductance, max is 0.1% of Ln

\*\*\* Length of pin (Dimension P) is always 5.5 mm ± 1

#### Product selector

RT 8XXX-XX-XXM



- Inductance value (e.g. 9M6 = 9.6 mH)
- Nominal input current [A] (convection cooling)
- Terminal type ( 2 for PCB pin)
- 2 = 2-line choke
- 3 = 3-line choke
- 1 = Horizontal
- 5 = Vertical

Schaffner standard ring-core choke series RT

Examples: RT8532-16-3M0: Vertical 3-line choke for 16 A, with 3 mH ; RT8122-20-3M0: Horizontal 2-line choke for 20 A, with 3 mH

### Distribution Inventory

Up-to-date inventory levels for global distributors is available at

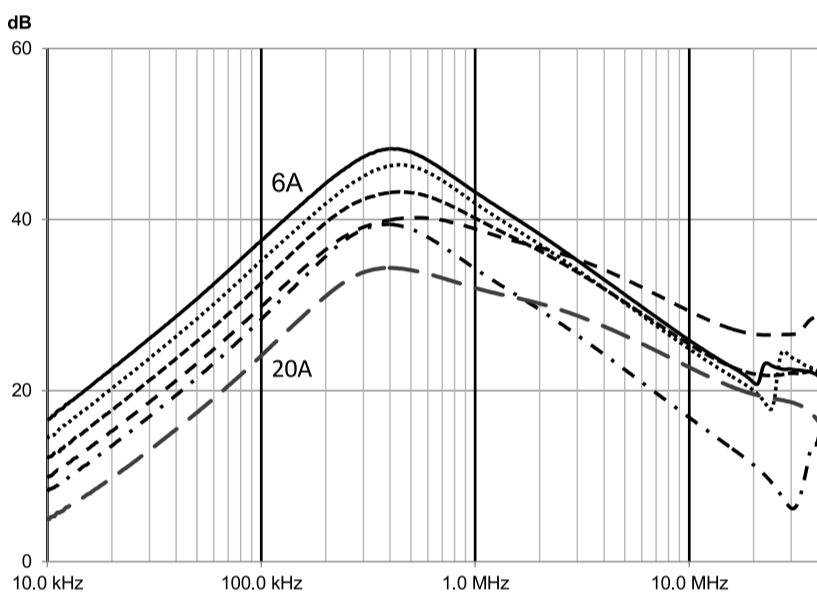
<https://products.schaffner.com/stock>



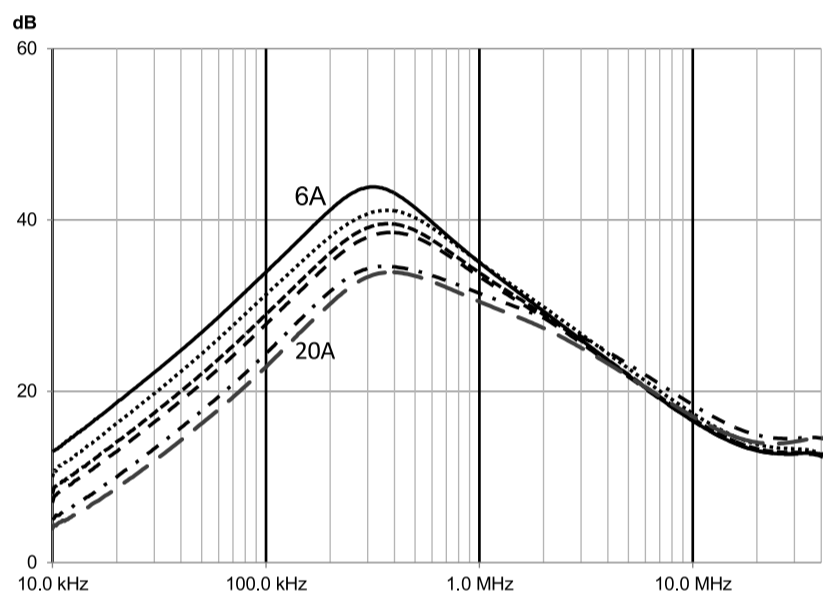
### Typical Choke Attenuation/Resonance Frequency Characteristics

Per CISPR 17; 50 Ω/50 Ω asym

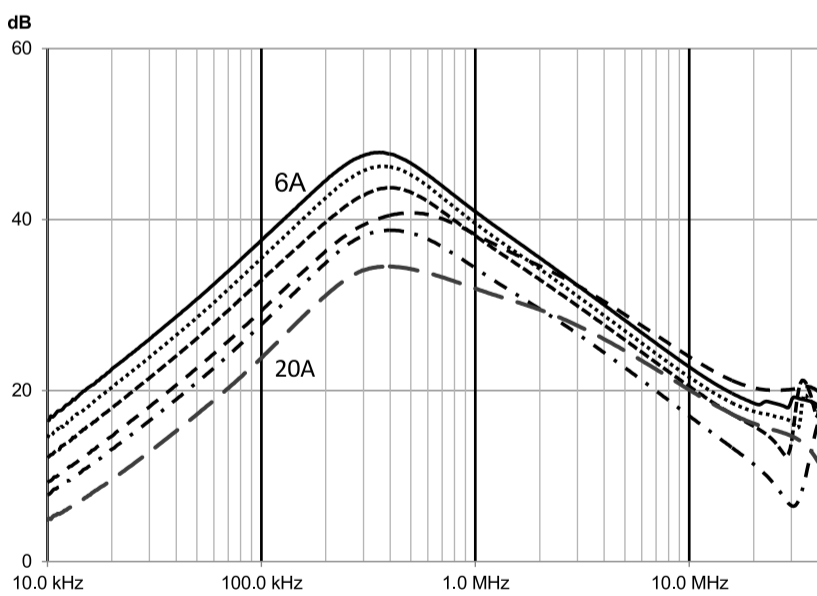
RT 8122



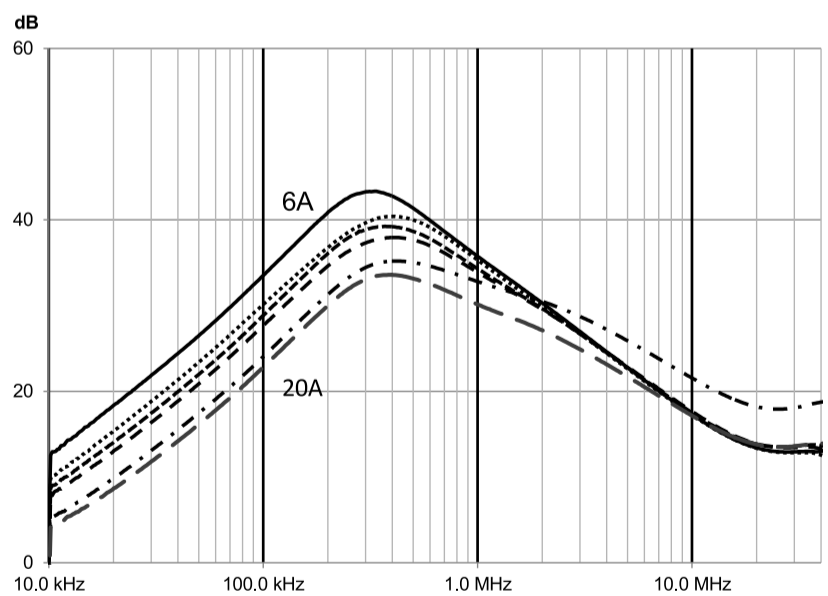
RT 8132



RT 8522



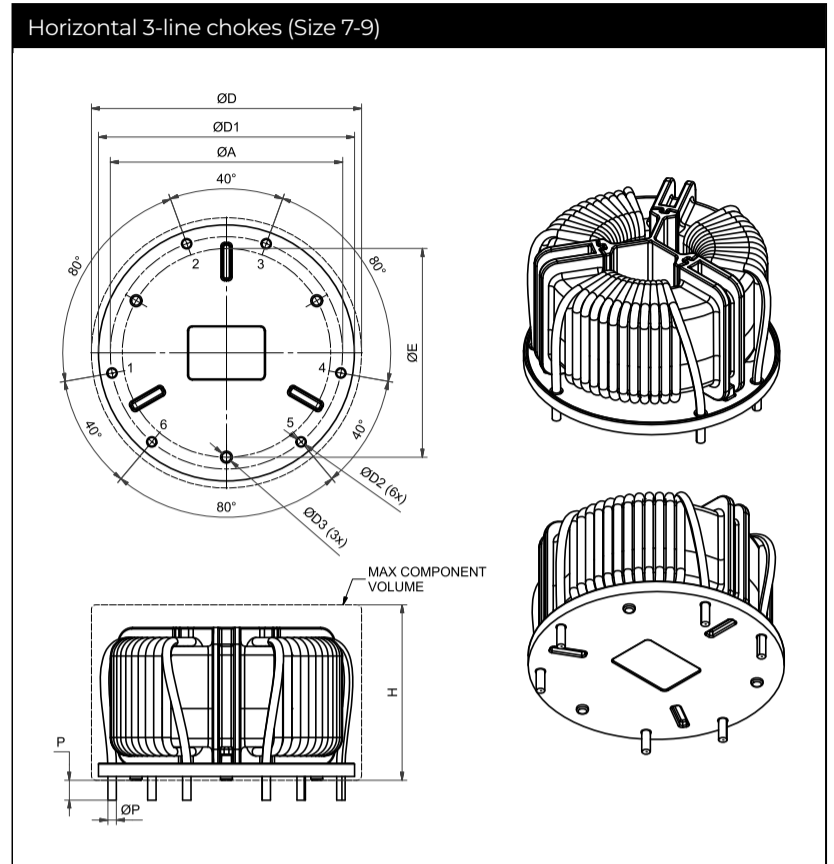
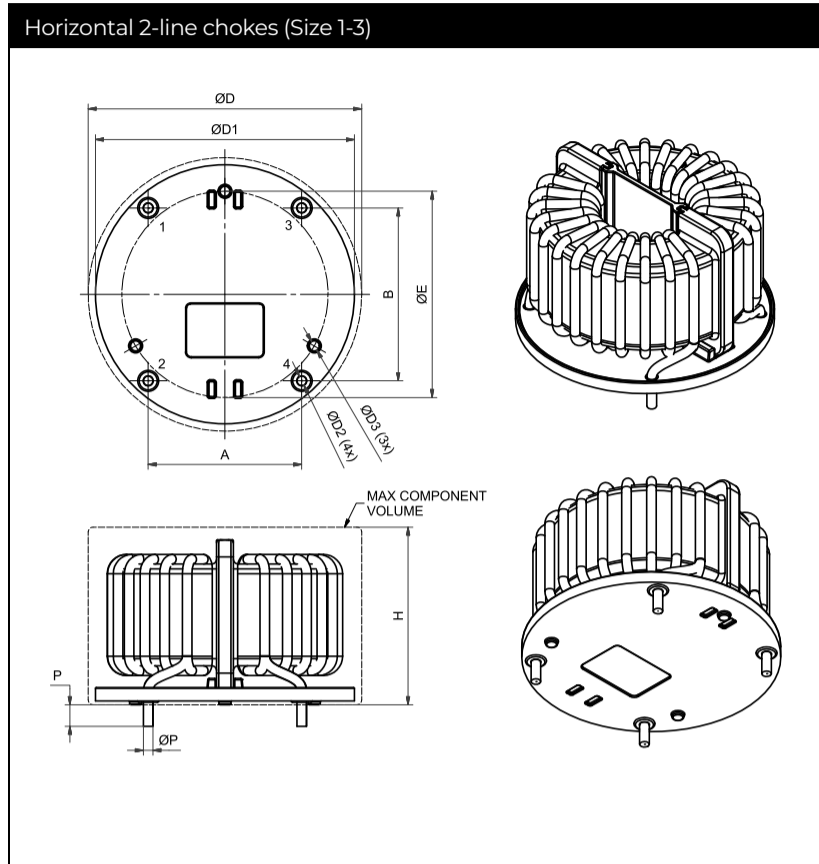
RT 8532



### Mechanical Data: Horizontal Chokes (2-line And 3-line)

All dimensions in mm; 1 inch = 25.4 mm

Tolerances according: ISO 2768-m/EN 22768-m



### Dimensions

|   | A         | B      | ØD (max)        | H (max)        | ØD1        | ØD2        | ØD3 | ØE |
|---|-----------|--------|-----------------|----------------|------------|------------|-----|----|
|   | (±0.5)    | (±0.5) |                 |                | (±0.5)     |            |     |    |
| <b>Size1 (RT8122-6-10M0, RT8122-8-8M0, RT8122-10-6M0)</b> | 21        | 25     | 45              | 34             | 42         | 1.5        | 2.5 | 36 |
| <b>Size2 (RT8122-12-5M0, RT8122-16-4M0)</b>               | 26        | 30     | 51              | 33             | 48         | 1.9        | 2.5 | 40 |
| <b>Size3 (RT8122-20-3M0)</b>                              | 32        | 36     | 57              | 37             | 54         | 2.1        | 2.5 | 43 |
|   | <b>ØA</b> |        | <b>ØD (max)</b> | <b>H (max)</b> | <b>ØD1</b> | <b>ØD2</b> |     |    |
|   | (±0.5)    |        |                 |                | (±0.5)     |            |     |    |
| <b>Size 7 (RT8132-6-6M0, RT8132-8-4M8)</b>                | 38        | -      | 46              | 34             | 43         | 1.4        | 2.5 | 35 |
| <b>Size 8 (RT8132-10-4M0, RT8132-12-3M6)</b>              | 44        | -      | 51              | 33             | 48         | 1.7        | 2.5 | 40 |
| <b>Size 9 (RT8132-16-3M0, RT8132-20-2M5)</b>              | 49        | -      | 57              | 37             | 54         | 2.3        | 2.5 | 44 |

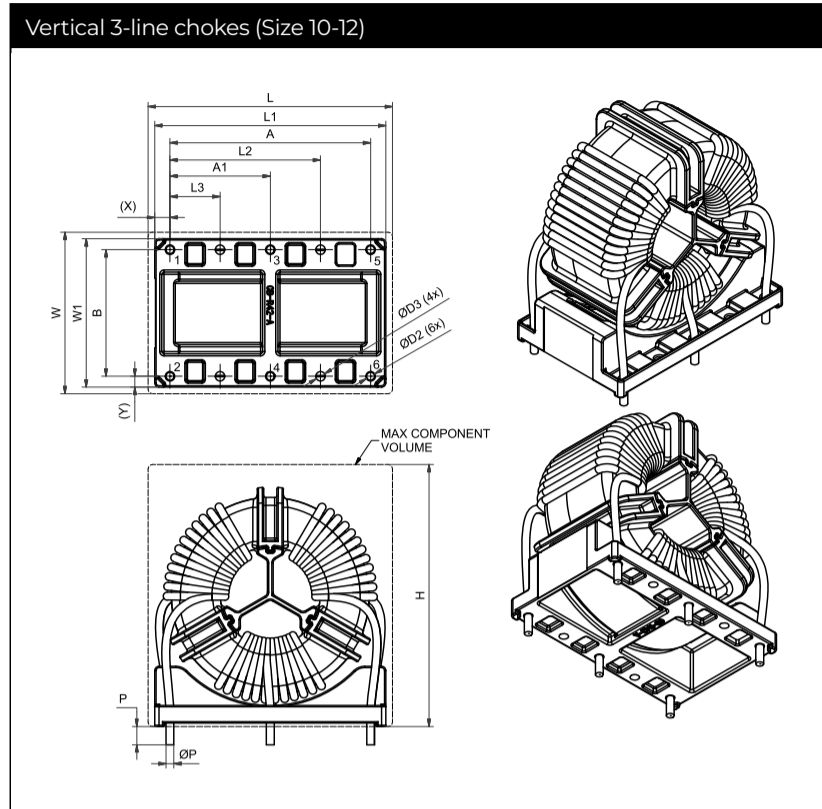
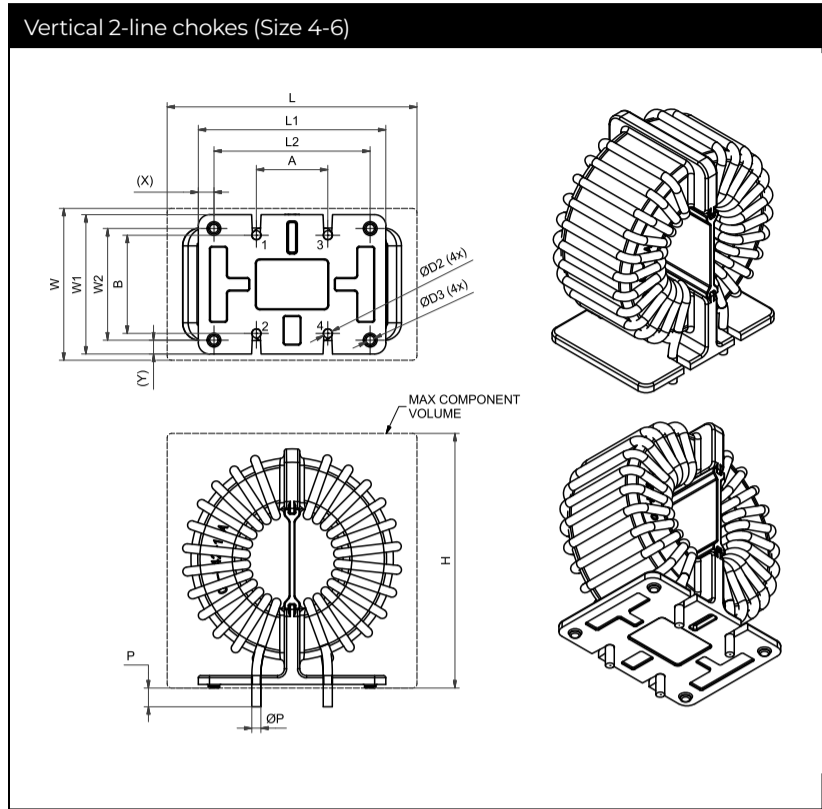
Pin material: Copper (base), Sn (final plating typical thickness 0.15 mm; composition: Sn-1.2Ag-4Cu or SN-3Cu-0.25Ni)

Please visit [www.schaffner.com](http://www.schaffner.com) to find more details on filter connections.

### Mechanical Data: Vertical Chokes (2-line And 3-line)

All dimensions in mm; 1 inch = 25.4 mm

Tolerances according: ISO 2768-m/EN 22768-m



### Dimensions

|  | A      | A1     | B      | L     | W     | H     | L1     | L2     | L3   | W1     | W2     | ØD2 | ØD3 | X   | Y   |
|--|--------|--------|--------|-------|-------|-------|--------|--------|------|--------|--------|-----|-----|-----|-----|
|  | (±0.5) | (±0.5) | (±0.5) | (max) | (max) | (max) | (±0.5) | (±0.5) |      | (±0.5) | (±0.5) |     |     |     |     |
| <b>Size 4 (RT8522-6-10M0, RT8522-8-8M0, RT8522-10-6M0)</b> | 16     | -      | 20     | 43    | 32    | 44    | 32     | 26     | -    | 27.8   | 22     | 1.5 | 2.5 | 3   | 2.9 |
| <b>Size 5 (RT8522-12-5M0, RT8522-16-4M0)</b>               | 16     | -      | 22     | 50    | 32    | 52    | 39     | 33     | -    | 27     | 23     | 1.9 | 2.5 | 3   | 2   |
| <b>Size 6 (RT8522-20-3M0)</b>                              | 16     | -      | 22     | 56    | 32    | 57    | 42     | 35     | -    | 31.2   | 25     | 2.1 | 2.5 | 3.5 | 3.1 |
| <b>Size 10 (RT8532-6-6M0, RT8532-8-4M8)</b>                | 36     | 18     | 24     | 44    | 32    | 47    | 41     | 27     | 9    | 29     | -      | 1.4 | 1.4 | 2.5 | 2.5 |
| <b>Size 11 (RT8532-10-4M0, RT8532-12-3M6)</b>              | 38     | 19     | 24     | 49    | 34    | 53    | 46     | 28.5   | 9.5  | 31     | -      | 1.7 | 1.7 | 4   | 3.5 |
| <b>Size 12 (RT8532-16-3M0, RT8532-20-2M5)</b>              | 46     | 23     | 29     | 56    | 37    | 60    | 53     | 34.5   | 11.5 | 34     | -      | 2.2 | 2.2 | 3.5 | 2.5 |

Pin material: Copper (base), Sn (final plating typical thickness 0.15 mm; composition: Sn-1.2AG-4Cu or SN-3Cu-0.25Ni)

Please visit [www.schaffner.com](http://www.schaffner.com) to find more details on filter connections.

## Headquarters, Global Innovation and Development

### Switzerland

#### Schaffner Holding AG

Industrie Nord  
Nordstrasse 11e  
4542  
Luterbach  
+41 32 681 66 26  
[info@schaffner.com](mailto:info@schaffner.com)

## Sales and Application Centers

### China

#### Schaffner EMC Ltd. Shanghai

T20-3 C, No 565 Chuangye Road, Pudong district  
201201  
Shanghai  
+86 2138139500  
[cschina@schaffner.com](mailto:cschina@schaffner.com)

### Finland

#### Schaffner Oy

Sauvonrinne 19 H  
8500  
Lohja  
+358 50 468 7284  
[finlandsales@schaffner.com](mailto:finlandsales@schaffner.com)

### France

#### Schaffner EMC S.A.S.

16-20 Rue Louis Rameau  
95875  
Bezons  
+33 1 34 34 30 60  
[francesales@schaffner.com](mailto:francesales@schaffner.com)

### Germany

#### Schaffner Deutschland GmbH

Schoemperlenstrasse 12B  
76185  
Karlsruhe  
+49 721 56910  
[germanysales@schaffner.com](mailto:germanysales@schaffner.com)

### India

#### Schaffner India Pvt. Ltd

Regus World Trade Centre  
WTC, 22nd Floor Unit No 2238, Brigade Gateway Campus, 26/1, Dr. Rajkumar Road Malleshwaram (W)  
560055  
Bangalore  
+91 8067935355  
[indiasales@schaffner.com](mailto:indiasales@schaffner.com)

### Italy

#### Schaffner EMC S.r.l.

Via Ticino, 30  
20900  
Monza (MB)  
+39 039 21 41 070  
[italysales@schaffner.com](mailto:italysales@schaffner.com)

### Japan

#### Schaffner EMC K.K.

ISM Sangenjaya 7F  
1-32-12 Kamiuma, Setagaya-ku  
154-0011  
Tokyo  
+81 3 5712 3650  
[japansales@schaffner.com](mailto:japansales@schaffner.com)

### Singapore

#### Schaffner EMC Pte Ltd.

Blk 3015A Ubi Road 1, #05-09, Kampong Ubi Industrial Estate  
408705  
Singapore  
+65 63773283  
[singaporesales@schaffner.com](mailto:singaporesales@schaffner.com)

### Spain

#### Schaffner EMC España

Calle Caléndula 93, Miniparc III, Edificio E El Soto de Moraleja, Alcobendas  
28109  
Madrid  
+34 917 912 900  
[spainsales@schaffner.com](mailto:spainsales@schaffner.com)

### Sweden

#### Schaffner EMC AB

Östermalmstrorg 1  
114 42  
Stockholm  
+46 8 5050 2425  
[swedensales@schaffner.com](mailto:swedensales@schaffner.com)

### Switzerland

#### Schaffner EMV AG

Industrie Nord  
Nordstrasse 11e  
4542  
Luterbach  
+41 32 681 66 26  
[switzerlandsales@schaffner.com](mailto:switzerlandsales@schaffner.com)

### Taiwan

#### Schaffner EMV Ltd.

U-Town  
20 Floor-2, No 97, Section 1, XinTai 5th Road, XiZhi District  
22175  
New Taipei City  
+886 226975500  
[taiwansales@schaffner.com](mailto:taiwansales@schaffner.com)

### Thailand

#### Schaffner EMC Co. Ltd.

Sathorn Square Tower  
Room 3780, 37FL, 98 North-Sathorn Rd, Silom, Bangrak  
10500  
Bangkok  
+66 621056397  
[thailandsales@schaffner.com](mailto:thailandsales@schaffner.com)

### United Kingdom

#### Schaffner Ltd.

1, Oakmede Place  
Terrace Road  
RG42 4JF  
Binfield  
+44 118 9770070  
[uksales@schaffner.com](mailto:uksales@schaffner.com)

### United States

#### Schaffner EMC Inc.

52 Mayfield Avenue  
Edison, New Jersey  
+1 732 225 9533  
[usasales@schaffner.com](mailto:usasales@schaffner.com)

To find your local partner within Schaffner's global network [schaffner.com](http://schaffner.com)

© 2022 Schaffner Group

The content of this document has been carefully checked and understood. However, neither Schaffner nor its subsidiaries assume any liability whatsoever for any errors or inaccuracies of this document and the consequences thereof. Published specifications are subject to change without notice. Product suitability for any area of application must ultimately be determined by the customer. In all cases, products must never be operated outside their published specifications. Schaffner does not guarantee the availability of all published products. This disclaimer shall be governed by substantive Swiss law and resulting disputes shall be settled by the courts at the place of business of Schaffner Holding AG. Latest publications and a complete disclaimer can be downloaded from the Schaffner website. All trademarks recognized.