

HTEE25608

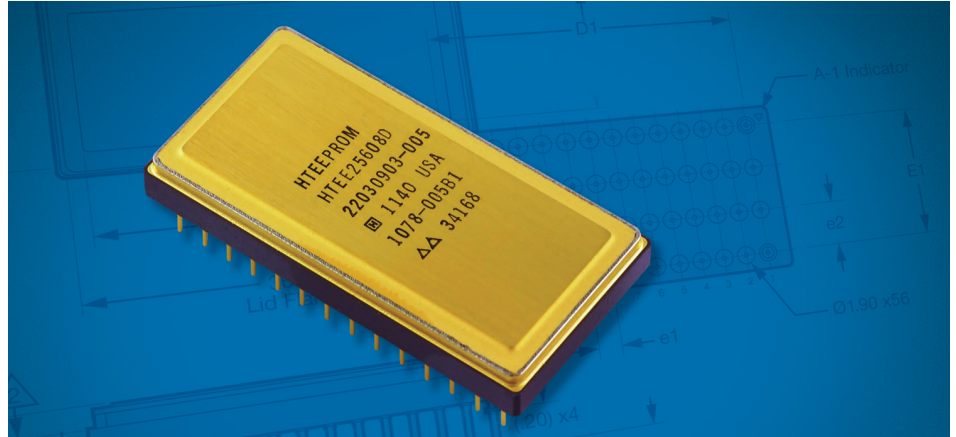
High Temperature EEPROM 256Kb

Features

- 256kb EEPROM
- Operating temperature range of -55°C to +225°C
- Single +5 V analog supply
- Serial and Parallel interface
- SPI serial communications
- Integrated high voltage supply
- Page and Byte write capability
- 64 byte Page Write Buffer
- Up to 10,000 program/erase cycle for each data bit
- Functionally similar to industry EEPROMs
- Hardware and Software Write Data Protection
- Fast Read Access:
 - At new page address: < 200 ns at 225°C

High Temp and Ruggedized Package

The HTEE25608 is packaged in a 56 lead ceramic Pin-grid Array (PGA) package.



The HTEE25608 is a 256 kbit asynchronous non-volatile memory for high temperature applications. The HTEE25608 is configured as 512 x 64 page memory that has both an 8-bit parallel and a serial interface for ease of use. Utilizing Honeywell's High Temperature 0.8 μm SOI CMOS process, it is designed for continuous operation at 225°C.

The HTEE25608 contains a 64 byte page write buffer for efficient data transfer. The page write operation allows 1 to 64 bytes to be written, providing the flexibility needed for any application. The write operation is simplified by on-chip latches and a self-timed write cycle, and status bits are provided to externally monitor the operation.

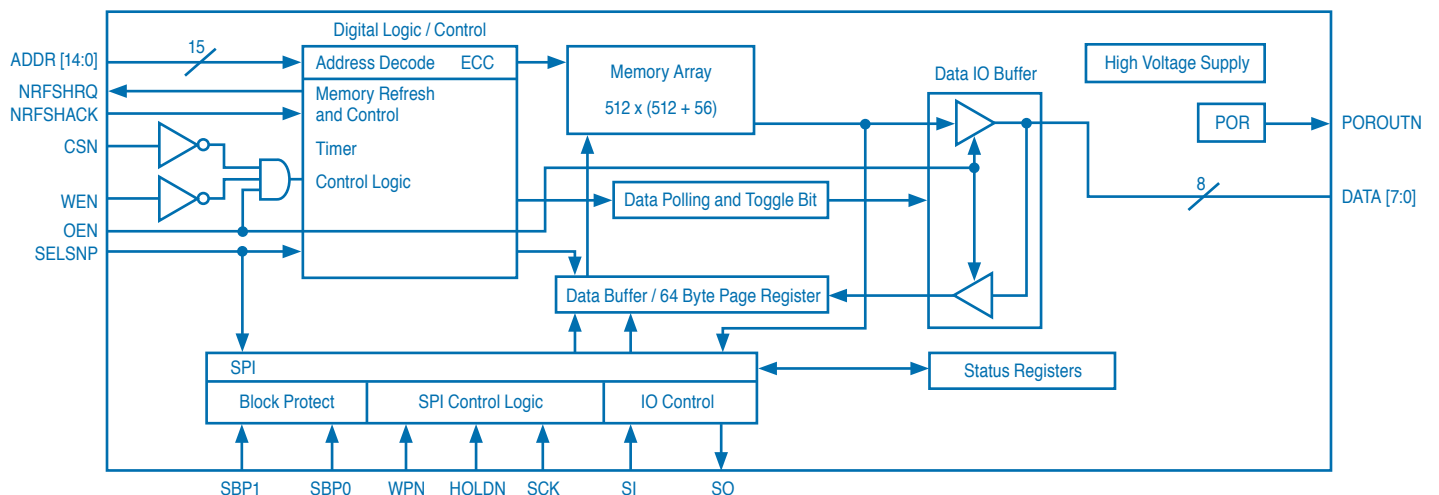
An autonomous memory refresh capability is provided to extend data retention at extreme high-temperatures.

The memory contains integrated Error Coding Correction consisting of 56 Error-Correction Coding bits per page (64 bytes). The ECC corrects up to 8 bit errors per 64-byte page.

Write protection control is provided to secure EEPROM data.

This device is ideal for use as program and/or data memory in deep earth, avionics, nuclear and other extreme environment applications.

Functional Block Diagram



Pinout Table

Pin	Signal
A1	VDD
A2	WEN
A3	A13
A4	A8
A5	A9
A6	A11
A7	OEN
A8	A10
A9	CSN
A10	D7
A11	D6
A12	D5
A13	D4
A14	D3
B1	VDD
B2	HOLDN
B3	SCK
B4	SI
B5	SPB1
B6	NC
B7	NC
B8	VDD
B9	NC
B10	VDD
B11	POROUTN
B12	VDD
B13	SELSNP
B14	VSS
C1	CSN
C2	SO
C3	WPN
C4	VSS
C5	SPB0
C6	NC
C7	NC
C8	NC
C9	NC
C10	NC
C11	NC
C12	VSS
C13	NRFSHACK
C14	NRFSHRQ
D1	A14
D2	A12
D3	A7
D4	A6
D5	A5
D6	A4
D7	A3
D8	A2
D9	A1
D10	A0
D11	D0
D12	D1
D13	D2
D14	VSS

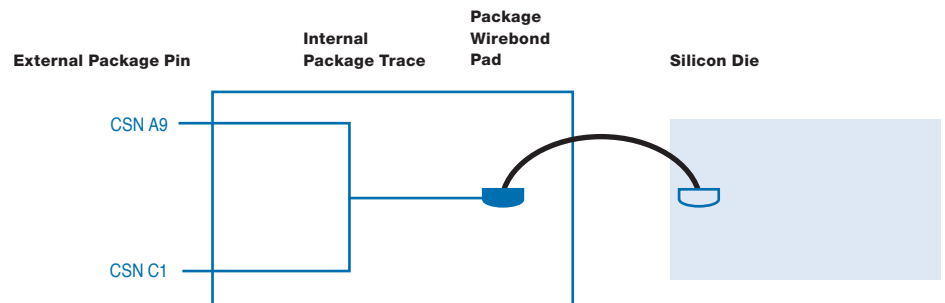
Note: CSN connected on two pins, A9 and C1.

Top View Package Pinout

		COLUMNS			
		A	B	C	D
ROWS	1	VDD	VDD	CSN	A14
	2	WEN	HOLDN	SO	A12
	3	A13	SCK	WPN	A7
	4	A8	SI	VSS	A6
	5	A9	SPB1	SPB0	A5
	6	A11	NC	NC	A4
	7	OEN	NC	NC	A3
	8	A10	VDD	NC	A2
	9	CSN	NC	NC	A1
	10	D7	VDD	NC	A0
	11	D6	POROUTN	NC	D0
	12	D5	VDD	VSS	D1
	13	D4	SELSNP	NRFSHACK	D2
	14	D3	VSS	NRFSHRQ	VSS

Note: NC = No Connection. Leave pins open on circuit board. Do not connect to ground or power.

CSN Signal Connection Diagram



Parallel IO Interface

Signal	Definition
A: 0 – 14 (1)	Address input pins which select a particular eight bit word within the memory array.
D: 0 – 7 (1)	Bi-directional data pins which serve as data outputs during a read operation and as data inputs during a write operation. D:7 – When operating in parallel interface mode, this bit can be read when Data Polling (monitoring for completion of the Write cycle). The output value will be the complement of the actual data being written to the memory. D:6 – When operating in parallel interface mode, this bit operates as a Toggle Bit. It will toggle while data is being written into the memory.
CSN	Negative chip select, when at a low level, allows normal read or write operation. When at a high level it holds the data output drivers in a high impedance state. All input signals except CSN are disabled. If the CSN signal is not used it must be connected to VSS. NOTE: This signals appears on two pins and are electrically connected in the package. There is a metal signal trace from pin A9 to C1.
WEN (1)	Negative write enable, when at a low level activates a write operation and holds the data output drivers in a high impedance state. When at a high level, it allows normal read operation.
OEN (1)	Negative output enable, when at a low level, the data output driver state is defined by CSN and WEN. When at a high level holds the data output drivers in a high impedance state. If the OEN signal is not used it must be connected to VSS.

(1) When device is in the "serial mode", signals WEN, OEN, Addresses, and Data are configured as inputs with active pullups. It is recommended these pins be left open or have no connection on the board.

Pin Description

Signal	Definition
SELSNP	Serial or Parallel Select input. When low the part will be in Parallel interface mode. When high, the part will operate in the serial interface mode.
POROUTN	Power On Reset output. When low, indicates that supply on EEPROM is too low for proper operation.
NRFSHACK	Refresh Request Acknowledge input. If a refresh request is asserted (on the NRFSHRQ output) low signal on NRFSHACK will activate the memory to rewrite all 512 pages.
NRFSHRQ	Refresh Request output, a low signal is asserted on power-up and approximately every 30 days thereafter to request memory refresh.
VDD	Power input, 5V
VSS	Ground

Serial IO Interface (SELSNP = VDD)

Signal	Definition
SO	Serial data output. During a read cycle, data is shifted out on the falling edge of SCK. When in Parallel Mode, the signal will be a static logic 0.
SCK (1)	Serial clock input. Operational codes, byte address or data present on SI pin are latched on the rising edge. Data on SO pin is updated on the falling edge of the SCK.
SI (1)	Serial data input. Operational codes, byte address and data to be written are latched on the rising edge of SCK. When in the Parallel Mode, it is configured as an input with active pullup.
WPN (1)	Write protect, allows normal read and write operations when held high. Parallel Mode: Input with active pullup. Serial Mode: When at a low level and WPEN bit in the status register is set to 1, all write operations to the status register are inhibited. WPN going low while CSN is low will interrupt a write to the status register. WPN going low after an internal write cycle has begun will have no effect on any write operation to the status register. WPN function is blocked when the WPEN bit is set to 0.
SPB0 (1)	Serial Block Protect 0 - Set the initial state of the BP0 bit in the status register upon POR. - State of bit can then be changed via WRSR operation. Parallel Mode: Input with Active Pull Up enabled.
SPB1 (1)	Serial Block Protect 1 - Set the initial state of the BP1 bit in the status register upon POR. - State of bit can then be changed via WRSR operation. Parallel Mode: Input with Active Pull Up enabled.
HOLDN (1)	Hold Serial Transmission input, Pauses transmission while in the middle of a serial sequence without having to re-transmit the entire sequence at a later time. To pause, HOLDN must be brought low while SCK is low. SO pin goes tri-state when paused and transitions on SI pin are ignored. To resume communication, HOLDN is brought high while SCK is low. Parallel Mode: Input with active pullup.



(1) This signal has an "active pullup" or fixed state when the device is put into parallel mode. It is recommended these pins be left open or have no connection on the board.

Functional Truth Table

CSN	WEN	OEN	MODE	DQ
L	H	L	Read	Data Out
L	L	H	Write	Data In
H	XX	XX	Deselected	High Z
X	XX	XX	Disabled	High Z

X: $V_i = V_{IH}$ or $V_i = V_{IL}$
 XX: $V_i = V_{SS}$ or $V_i = V_{DD}$

OEN = V_{IH} ; High Z output state maintained for CSN = X, WEN = X

Parallel Interface Mode Selection Mode	CSN	WEN	OEN	I/O
Read	L	H	L	DOUT
Byte Write (WEN Controlled)	L		H	DIN
Byte Write (CSN Controlled)		L	H	DIN
Standby, Write Inhibit	H	X	X	High-Z
Read, Write Inhibit	X	H	H	High-Z

Operating Modes

The HTEE25608 is designed to support both serial and parallel operation.

Special Functions

Memory Refresh

A memory-refresh function is employed to enable long-term data storage at 250°C. A memory refresh-request pin (NRFSHRQ) is asserted on power-up and approximately every 30 days thereafter to request memory refresh. If this signal is acknowledged via a refresh-acknowledge input signal (NRFSHACK), then the memory will re-write itself in 512 sequential page-write operations. The

refresh requires approximately 45 seconds to be completed. Note that this refresh is optional and may be ignored by the system. The initial power-on refresh request “expires” after approximately 20 seconds if it is not acknowledged. In addition, due to the page-mode writing scheme, writing to any byte within a page effectively refreshes the entire page.

Absolute Maximum Ratings (1)

Symbol	Parameter	Ratings		Units
		Min	Max	
VDD	Supply Voltage (2)	-0.5	6.0	Volts
VPIN	Voltage on Any Pin (2)	-0.5	VDD+0.5	Volts
TSTORE	Storage Temperature	-65	250	°C
IOUT	Average Output Current		25	mA
T _{SOLDER}	Soldering Temperature		270•5	°C•sec
P _D	Package Power Dissipation (3)		2.5	W
Θ _{JC}	Package Thermal Resistance (56 PGA) (Junction to Case)		10.0	°C/W
V _{PROT}	Electrostatic Discharge Protection Voltage	2000		V
T _J	Junction Temperature		250	°C
	Write Operations (5)		120E6	Operations
	Bit Toggles (6)		10E3	State changes

(1) Stresses in excess of those listed above may result in immediate permanent damage to the device. These are stress ratings only, and operation at these levels is not implied. Frequent or extended exposure to absolute maximum conditions may affect device reliability.

(2) Voltage referenced to VSS.

(3) EEPROM power dissipation internally and external driving of loads must not exceed this specification

(4) Class 1 electrostatic discharge (ESD) input protection voltage per MIL-STD-883, Method 3015

(5) A write operation occurs anytime the high voltage circuitry is engaged in order to write or refresh the memory. A full refresh of the memory counts as 512 write cycles towards this limit.

(6) A bit toggle is written state change on any memory bit. Any time a value is written to memory, in which that value already is resident does not count towards this limit (i.e. REFRESH).

Recommended Operating Conditions (1)

Symbol	Parameter	Min	Description Typ	Max	Units
TC	External Package Temperature	-55		225	°C
Temp Op	Operating Temperature	-55		225	°C
VPIN	Voltage on Any Pin	-0.3		VDD+0.3	Volts

(1) Voltage referenced to VSS.

DC Electrical Characteristics

Symbol	Parameter	Conditions (1)	Min	Limits	Max	Units
				Typ		
IDDSB	VDD Standby Current	Parallel			2	mA
		Serial			10	mA
IDDOPW	Dynamic Current, Write	Parallel and Serial			50	mA
IDDOPR	Dynamic Current, Read	Parallel			125	mA
		Serial			75	mA
IOZ	Output Tri-State Leakage	Output High Impedance	-10		+10	µA
IIL	Input Leakage Current Low	Standard Input, Vin=0V	-10			µA
		Pull Up Input, Vin=0V	-300			µA
IIH	Input Leakage Current High	Standard Input, Vin=5V			+10	µA
		Pull Up Input, Vin=5V			+10	µA
VIH	High Level Input Voltage	Applies to digital I/O signals, VDD = 5.0V	3.375			Volts
VIL	Low Level Input Voltage	Applies to digital I/O signals, VDD = 5.0V			1.375	Volts
VOH	High Level Output Voltage	Sourcing 6mA	4.2			Volts
VOL	Low Level Output Voltage	Sinking 6mA			0.45	Volts

(1) Unless otherwise specified, specifications apply over the full VDD-VSS range from -55°C to 225°C, VDDA externally connected to VDD, VSSA externally connected to VSS.

Capacitance (1)

Symbol	Parameter	Worst Case (1)		Units	Test Conditions
		Min	Max		
CI	Input Capacitance		14	pF	VIN=VDD or VSS, f=500KHz
CO	Output Capacitance		14	pF	VIN=VDD or VSS, f=500KHz
C _{CSN}	CSN Input Capacitance (2)		17	pF	VIN=VDD or VSS, f=500KHz
C _D	Data I/O Capacitance		15	pF	VIN=VDD or VSS, f=500KHz

(1) This parameter is tested during initial qualification only.

(2) This signal appears on two pins that are electrically connected in the package.

Data Retention

Parameter	Worst Case		Units
	Min	Max	
Data Retention (1)	5		Years
Data Retention (2)	1000		Hours

(1) Retention based on allowing refresh to occur when requested.

(2) Without memory refresh

Functional Description

The memory is configured as a 512 x 512 array. Each of the 512 rows (or pages) includes 512 columns of data storage elements (64 Bytes). These are arranged as eight 64-bit blocks which are mapped to each of the 8 data I/O. In addition, each row (page) has 56 bits of Error Correction Coding (ECC). The ECC can correct a single-bit error within each block of 64-bits. Thus the ECC can correct 1 to 8 bits per row (page) depending on the distribution of the single-bit errors.

Page/Row	Data	Column	ECC
1	512 bits (64 bytes)		56
	↓		
512	512 bits (64 bytes)		56

A digital logic block provides the interface control to the memory. When using parallel mode access, the memory may be addressed and asynchronously read as a 32K by 8-bit memory. The parallel interface incorporates the functionality of industry standard 28C256 parallel memories, including page buffer and control sequencing for both page-mode and byte-mode writing schemes.

Serial-mode operation can be invoked by a Select Serial/Not-Parallel (SELSNP) configuration pin. If this pin is pulled high, then the memory is accessible for read/write access as a serial device via SPI interface in accordance with industry standard 25C256 serial memories. A Serial Peripheral Interface (SPI) is used for the memory control interface.

All of the reference and bias voltages, timers, and write-control circuitry are included on-chip, with the exception of charge-pump capacitors (these capacitors are inside the package, but are not part of the HTEEPROM die).

PARALLEL INTERFACE FUNCTIONAL DESCRIPTION

A parallel communication interface is provided on the HTEE25608 for efficient data access. There is a 15 bit Address bus and 8 bit Data I/O bus. The device is controlled with a Chip Select, Output Enable and Write Enable. The memory has a 64-byte page register to allow writing of up to 64 bytes simultaneously.

Device Operation

Read: A Read operation is similar to a Static RAM and can be initiated by two methods; control signal and address change. The recommended method is to use the control signals.

A Read is initiated when CSN and OEN are low and WEN is high. The falling edge of the CSN or OEN, whichever is last, will trigger the read process.

The second method is to change the Address bits while the control signals are in a Read state. This method allows for multiple Reads without changing the control signals but creates a condition in which the memory is more susceptible to glitches, spikes and noise associated with these switching signals.

The data stored at a given memory location is determined by the address pins and is asserted on the outputs. The read operation is terminated when either CSN or OEN goes high, placing the outputs in the high impedance state. This dual line control architecture provides designers flexibility in control and preventing bus contention in a system environment.

Byte Write: A write cycle is executed when both CSN and WEN are low and OEN is high. The HTEE25608 supports both a CSN and WEN controlled write cycle. During a write cycle, the address is latched on the falling edge of WEN or CSN, whichever occurs last. The data is then latched internally by the rising edge of either CSN or WEN, whichever occurs first. The device will automatically write the latched data using an internal control timer, following the initiation of a write cycle. The HTEE25608 incorporates two functions, data polling and toggle bit polling, to monitor for end of the write operation. Once initiated, a byte write cycle will automatically continue to completion with a typical duration of 90ms.

Page Write: The page write operation of the HTEE25608 allows 1 to 64 bytes of data to be written into the device during a single internal programming cycle. A page write operation is initiated in the same manner as a byte write (WEN pulsed low, for tWP and then high); the first byte written can then be followed by 1 to 63 additional bytes.

The page address where the data is to be written, specified by the bits $A_6 - A_{14}$, is latched on the last falling edge of WEN. For each WEN high to low transition during the page write operation, $A_6 - A_{14}$ must be the same. Address inputs $A_0 - A_5$ are used to specify which bytes within the page are to be written and can be loaded in any order. Each successive byte load cycle must begin within $t_{BLC\ MAX}$ of the rising edge of the preceding WEN pulse. If the $t_{BLC\ MAX}$ limit is exceeded the HTEE25608 will stop accepting data and begin the internal programming operation. WEN must stay high a minimum of $t_{BLC\ MAX}$ at the completion of a page write sequence to begin the internal programming cycle. Only bytes which are specified for writing will be written; unnecessary cycling of other bytes within the page does not occur.

Write Operation Status Bits: The HTEE25608 provides the user two write operation status bits; data polling I/O_7 and toggle bit I/O_6 . These write cycle status bits can be used to optimize the system write cycle time.

Data Polling (I/O_7): The data polling feature is provided to indicate the completion of a write cycle. During a byte or page write cycle, an attempt to read the last byte written will result in the complement of the written data to be presented on I/O_7 ($I/O_0 - I/O_6$ are indeterminate) until the programming cycle is complete. Once the write cycle has completed; all I/O 's will output true data during a read cycle and the next write cycle may begin. Data polling may be done at anytime during the write cycle.

Toggle Bit (I/O_6): In addition to data polling the HTEE25608 provides another method of determining the end of a write cycle. While a write cycle is in progress, successive attempts to read data from the device will result in I/O_6 toggling between one and zero. Once the write is complete I/O_6 will stop toggling and valid data can be read from the device. Reading the toggle bit may be done at anytime during the write cycle.

SERIAL MODE FUNCTIONAL DESCRIPTION

In serial mode operation, an industry standard SPI interface is used for data transfer to and from the device at data rates up to 5 MHz. The SPI bus is enabled through a chip select (CSN), enabling communication via the SPI Data In (SI) and SPI Data Out (SO) pins. An external clock (SCK) provided by the SPI master device drives communication. A hold (HOLDN) signal is provided for the temporary suspension of SPI bus activity without resetting the serial sequence. A write protect (WPN) pin is available for complete protection of the device in addition to programmable protection registers.

The HTEE25608 utilizes an 8-bit instruction register. The device is accessed via the SI pin with data being clocked in on the rising edge of SCK. After the device is selected with CSN going low the first byte will be received. The first byte contains one of the six op-codes that define the operation to be performed, specified in the Serial Mode Instruction table below.

Serial Mode Instruction Set for the HTEE25608

Instruction Name	Op-code	Operation
WREN	0000 0110	Set Write Enable Latch
WRDI	0000 0100	Reset Write Enable Latch
RDSR	0000 0101	Read Status Register
WRSR	0000 0001	Write Status Register
READ	0000 0011	Read Data from Memory Array
WRITE	0000 0010	Write Data to Memory Array

Write Enable (WREN): The HTEE25608 contains a write enable latch that must be set before any write operation. The device powers up in a write disable state when VDD is applied. Therefore, all programming instructions must be preceded by a write enable instruction. The WREN instruction will enable writes (set the latch) to the device.

Write Disable (WRDI): To protect the device against inadvertent writes, the write disable instruction disables all programming modes (resets the latch). WRDI instruction is independent of the status of the WPN pin.

Read Status Register (RDSR): To read the status register, the RDSR instruction should be sent which provides access to the status register. Contents of the status register are shifted out on the SO pin and the status register may be read at any time even during a write cycle.

The RDYN (Ready) and WEN (Write Enable) status of the device can be determined by the RDSR instruction. Similarly, the BP1 and BP0 (Block Write Protection) bits indicate the extent if any of the write protection being employed.

Write Status Register (WRSR): The WRSR instruction allows the user to select one of four levels of protection. The BP1 and BP0 (Block Write Protection) bits indicate which blocks are currently protected, as specified in Block Write Protection Bits. These bits are set by the user issuing the WRSR instruction. Write protection can be placed on a quarter, half or the entire memory array by setting these bits. Once protected the user may only read from the protected portion of the array. The WRSR instruction also allows the user to enable or disable the write protect (WPN) pin through the use of the Write Protect Enable (WPEN) bit. The three bits, BP1, BP0 and WPEN are nonvolatile cells that have the same properties and functions as the regular memory cells.

Read Sequence (READ): Reading the HTEE25608 via the SO pin requires the following sequence.

- Select the EEPROM by pulling the CSN pin low
- Transmit the 8-bit read instruction (op-code) via the SI pin to the HTEE25608
- Transmit the 16-bit address (the three most significant bits are don't care).

After the correct read instruction and address are sent, the data stored (D7-D0) in memory at the selected address is shifted out on the SO pin.

If only one byte is to be read, the CSN line should be driven high after the data comes out.

Multiple Byte Read: The data stored in the memory at the next address can be read sequentially by continuing to provide clock pulses (SCK). The internal address pointer is automatically incremented to the next higher address after each byte of data is shifted out. When the highest address (7FFFh) is reached, the address counter will roll over to the lowest address (0000h) allowing the entire memory to be read in one continuous read cycle.

The read operation is terminated by pulling the CSN pin high.

Write Sequence (WRITE): To program the HTEE25608, two separate instructions must be executed, Write Enable and then Write. Prior to any write instructions, the device must be "write enabled" with the WREN instruction. The device goes in the write enable state by pulling CSN low and then clocking in the WREN instruction into the device. CSN must then be brought high after the WREN instruction to enable writes to the device. If the write operation is initiated immediately following the WREN instruction without bringing CSN high, the data will not be written to the array because the write enable latch will not have been properly set. In addition, the address of the memory location(s) to be programmed must be outside the protected address field location selected by the block write protection level.

Once the device is in a write enabled state, the user may proceed with a write sequence.

Select the device by pulling the CSN pin low.

Transmit the WREN instruction via the SI pin.

Transmit the WRITE instruction via the SI pin.

Transmit the 16-bit address (note: the three Most Significant Bits are don't care).

Transmit the data (D7-D0) to be written.

Programming will start after the CSN pin is brought high. The low to high transition of the CSN pin must occur during the SCK low time immediately after clocking in the D0 (LSB) data bit.

During an internal write cycle, all commands will be ignored except the RDSR instruction. The user can execute the RDSR instruction and read the status register to determine if the write cycle is still in progress. If Bit 0 (RDYN) = 1, the write cycle is still in progress. If RDYN = 0, the write cycle has ended and the device is ready for the next instruction.

64-byte Page Write: The HTEE25608 is capable of a 64-byte page write operation. After the first byte is written, the host may continue to write up to 64 bytes of data to the device. After each byte of data is received, the six lower order address bits are internally incremented by one; the high order bits of the address will remain constant (the 64 bytes must reside on the same page). If more than 64 bytes of data are transmitted, the address counter will roll over and the previously written data will be overwritten. More specifically, if the address counter reaches the end of the page and the clock continues, the counter will roll over to the first address of the page and overwrite any data that may have been written. The HTEE25608 is automatically returned to the write disable state at the completion of the write cycle.

STATUS REGISTER

The Status Register indicates the status of the device; see Status Register Format for details on the status register format and Read Status Register Bit Definition for read status register bit definitions.

Status Register Format

BIT 7	BIT 6	BIT 5	BIT 4	BIT 3	BIT 2	BIT 1	BIT 0
WPEN	X	X	X	BP1	BP0	WEL	RDYN

Read Status Register Bit Definition

Bit	Definition
Bit 0 (RDYN)	Set to 0 (RDYN) indicates the device is ready. Set to 1 indicates a write cycle is in progress.
Bit 1 (WEL)	Set to 0 indicates the device is not write enabled. Set to 1 indicates the device is write enabled.
Bit 2 (BP0)	See Block Write Protection Bits table
Bit 3 (BP1)	See Block Write Protection Bits table
Bits 4 – 6	Are 0s when the device is not in an internal write cycle.
Bit 7 (WPEN)	See Write Protect Enable (WPEN) Operation table
Bits 1 - 7	Are 0s during an internal write cycle

The RDYN (Ready): The bit indicates whether the HTEE25608 is busy with a write operation or is ready for new instructions. When set to 1 a write cycle is in progress and when set to 0 the device indicates it is ready for new instructions.

WEL (Write Enable Latch) - This bit indicates the status of the write enable latch and is read-only. When set to a 1, the latch allows writes to the array (write enable state), when set to a 0, the latch prohibits writes to the array (write disable state). The WEL bit can only be set by the WREN instruction and can be reset by the WRDI instruction.

WPEN (Write Protect Enable): This bit is an enable bit for the WPN pin. The WPN pin and WPEN bit in the status register control the programmable hardware write protect feature, see Write Protect Enable (WPEN) Operation.

Hardware write protection is enabled when the WPN pin is low and the WPEN bit is 1.

Hardware write protection is disabled when either the WPN pin is high or the WPEN bit is 0.

When the device is hardware write protected; writes to the status register including the block protect bits (BP1 and BP0), WPEN bit and the block protected sections in the memory array are disabled. Only the sections of the memory array that are not block protected can be written.

Write Protect Enable (WPEN) Operation

WPEN	WPN	WEL	Protected Blocks	Unprotected Blocks	Status Register
0	X	0	Protected	Protected	Protected
0	X	1	Protected	Writable	Writable
1	Low	0	Protected	Protected	Protected
1	Low	1	Protected	Writable	Protected
X	High	0	Protected	Protected	Protected
X	High	1	Protected	Writable	Writable

Block Protection (BP1 and BP0): These bits indicate which blocks are currently write-protected. These bits are set by the user issuing the WRSR instruction. The user is allowed to protect quarter of the memory, half of the memory or the entire memory by setting these bits. Once protected the user may only read from the protected portion of the array.

Block Write Protection Bits

Array Protection Level	Status Register Bits BP1	Status Register Bits BP0	Array Address Protected
No Protection	0	0	None
Quarter	0	1	6000-7FFF
Half	1	0	4000-7FFF
Full	1	1	0000-7FFF

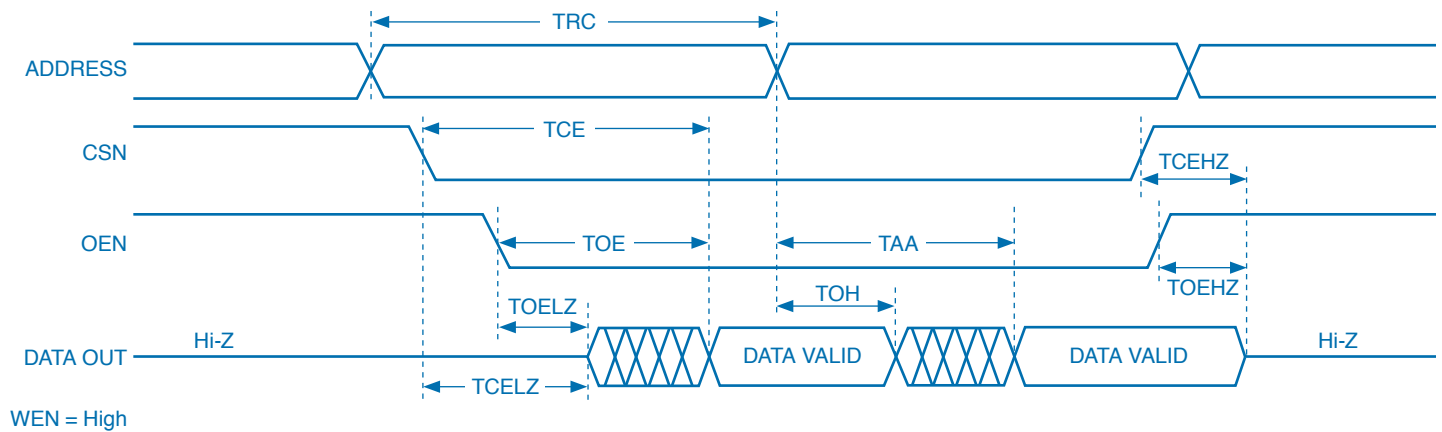
Memory Refresh

- Required every 1000 hours to retain data at maximum operating temperature
- Refresh request (NRFSHREQ) indicator is asserted every 30 days +/- 30% of continuous powered operation
- Refresh request (NRFSHREQ) indicator is also asserted on Power Up, and stays active for 20 +/- 30% seconds.
- Approximately 45 seconds is required to refresh the entire memory.

Parallel Mode Read Cycle Timing Characteristics

Symbol	Parameter	Limits		Units
		Min	Max	
TRC(n)	Read Cycle Time		150	ns
TCE(n)	CEN Access Time		150	ns
TAA(n)	Address Access Time		150	ns
TOE(n)	NOE Access Time		150	ns
TCELZ(n)	CEN Low to Active Output	0		ns
TOELZ(n)	NOE Low to Active Output	0		ns
TCEHZ(n)	CEN High to High-Z Output		50	ns
TOEHZ(n)	NOE High to High-Z Output		50	ns
TOH(n)	Output Hold from Address Change	0		ns

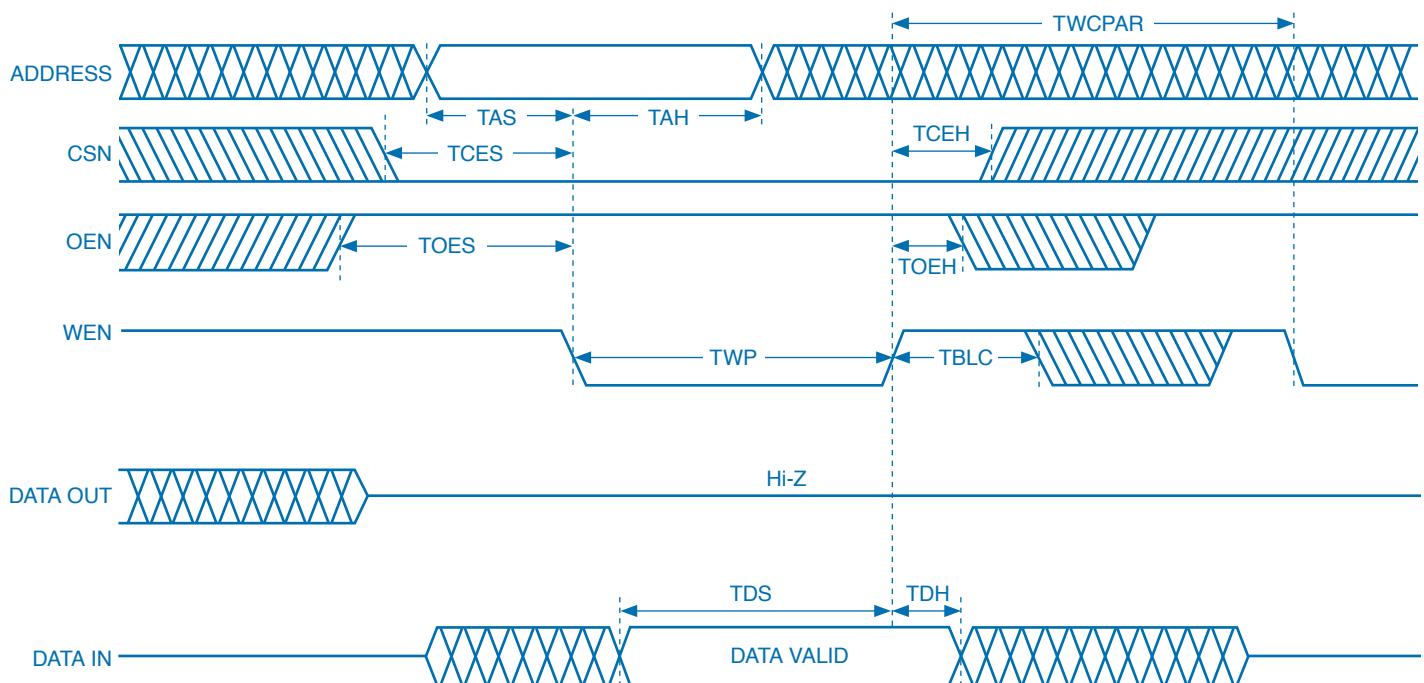
Parallel Mode Read Cycle Timing Diagram



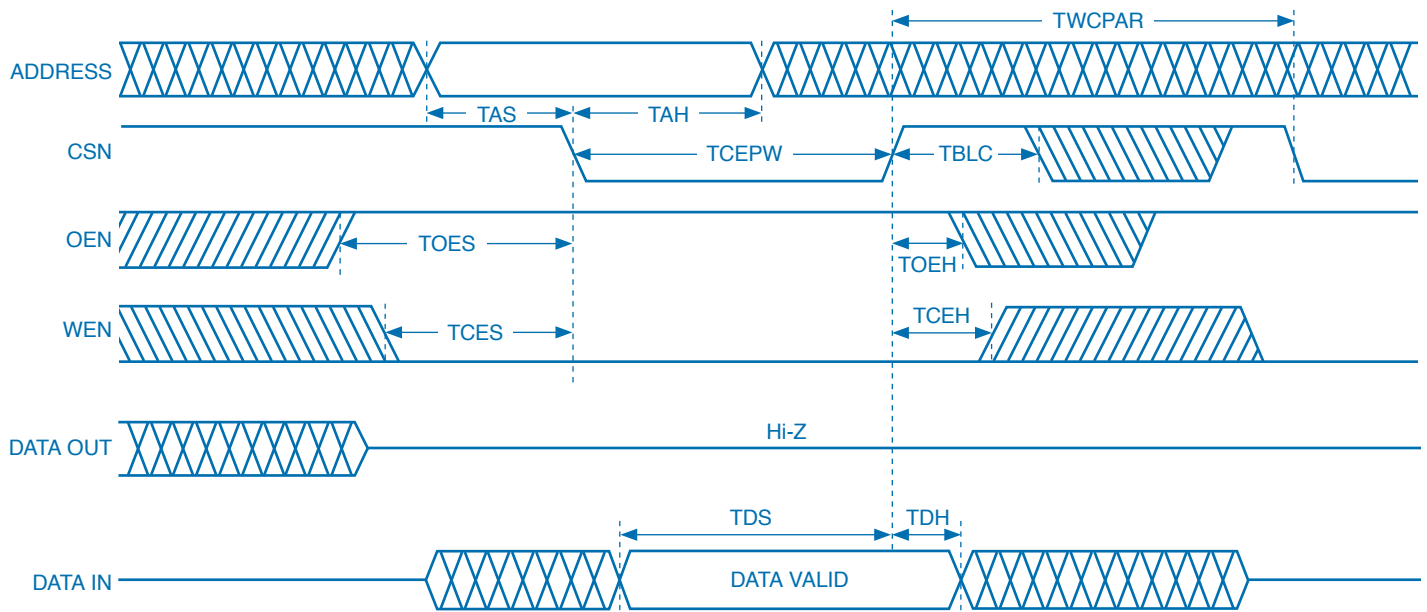
Parallel Mode Write Cycle Timing Characteristics

Symbol	Parameter	Limits		Units
		Min	Max	
TWCPAR(n)	Write Cycle Time	90		ms
TASn	Address Setup Time	0		ns
TAH(n)	Address Hold Time	50		ns
TCES(n)	CEN Setup Time	10		ns
TCEH(n)	CEN Hold Time	0		ns
TCEPW(n)	CEN Pulse Time	100		ns
TOES(n)	NOE Setup Time	5		ns
TOEH(n)	NOE Hold Time	0		ns
TWP(n)	WEN Pulse Width	100		ns
TDS(n)	Data Setup Time	50		ns
TDH(n)	Data Hold Time	10		ns
TBLC(n)	Byte Load Cycle Time	0.1	100	µs

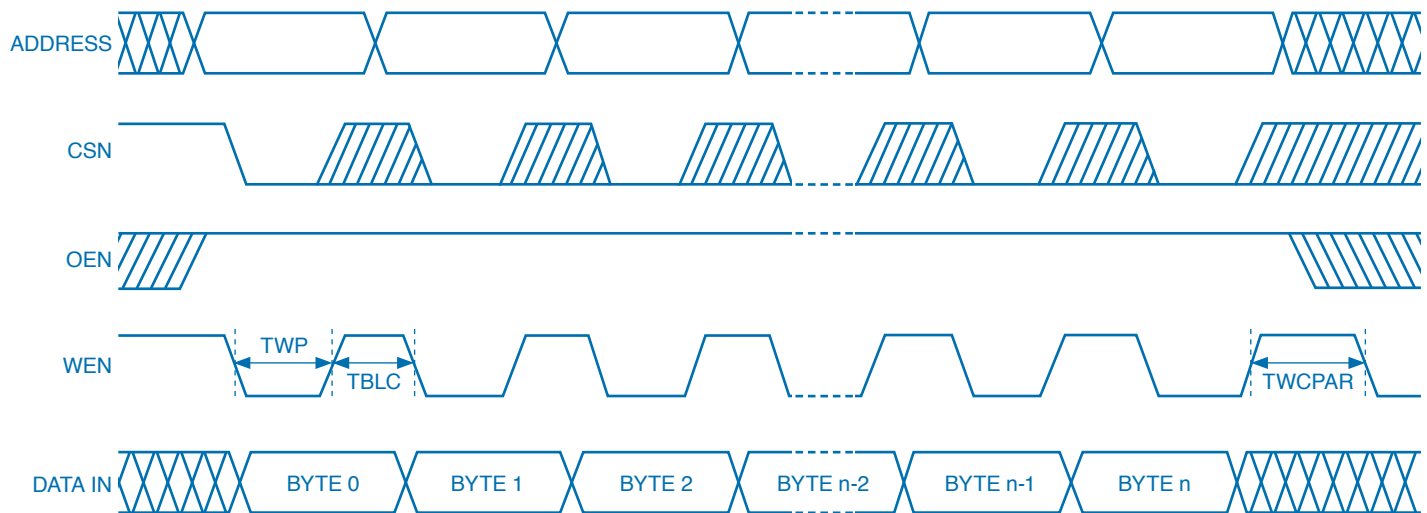
Parallel Mode Byte Write Cycle (WEN Controlled) Timing



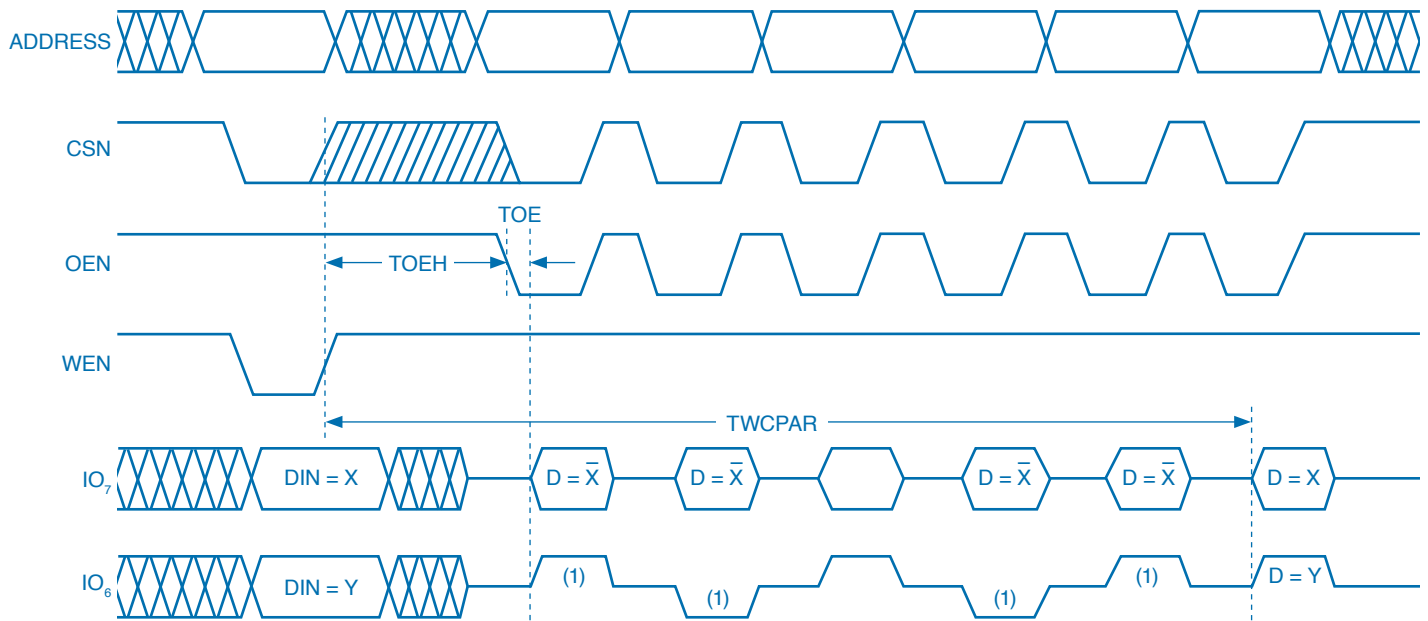
Parallel Mode Byte Write Cycle (CSN Controlled) Timing



Parallel Mode Page Write Cycle Timing



Parallel Mode Data Polling and Toggle Bit Write Cycle Timing

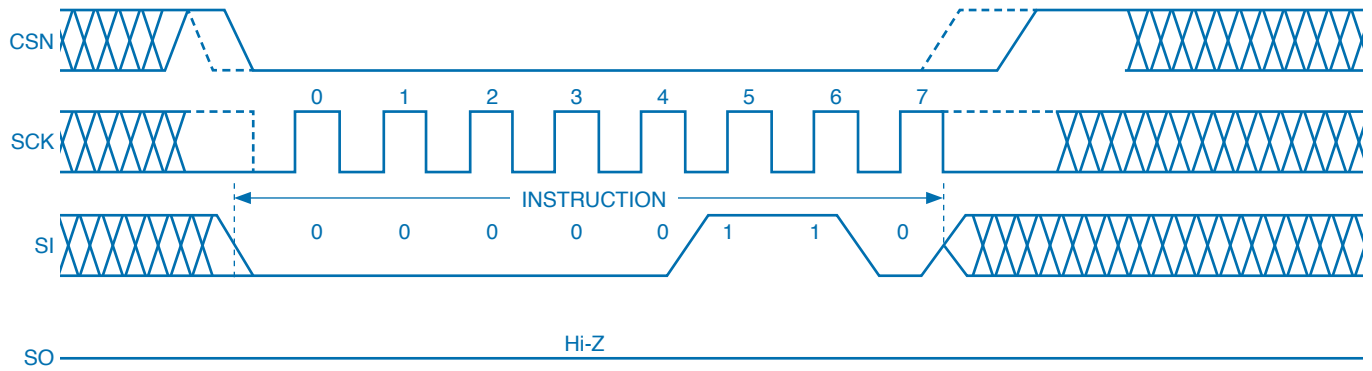


(1) The starting state of i/O_6 is not defined, but it will toggle on each read.

Serial (SPI) Mode Timing Characteristics

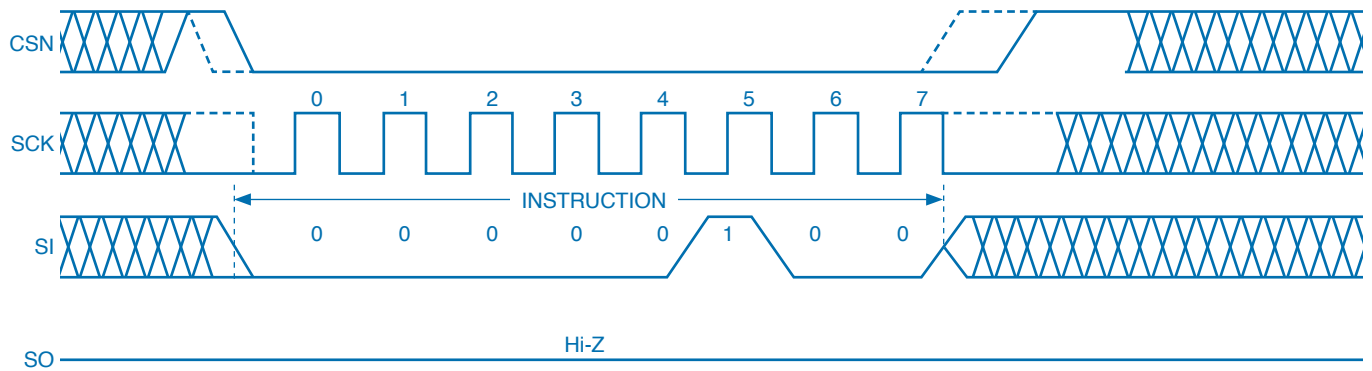
Symbol	Parameter	Limits		Units
		Min	Max	
TSU(n)	Data Setup Time	35		ns
TH(n)	Data Hold Time	35		ns
TWH(n)	SCK High Time	80		ns
TWL(n)	SCK Low Time	80		ns
fSCK(n)	Clock Frequency		5	MHz
TLZ(n)	HOLDN to Output Low-Z		50	ns
THD(n)	HOLDN Setup Time	40		ns
TCD(n)	HOLDN Hold Time	40		ns
TWC(n)	Write Cycle Time	90		ms
TV(n)	Output Valid From Clock Low		80	ns
THO(n)	Output Hold Time	0		ns
TDIS(n)	Output Disable Time		100	ns
THZ(n)	HOLDN To Output High-Z		50	ns
TCS(n)	CSN High Time	100		ns
TCSS(n)	CSN Setup Time	100		ns
TCSH(n)	CSN Hold Time	100		ns

Serial Mode Write Enable (WREN) Instruction Timing



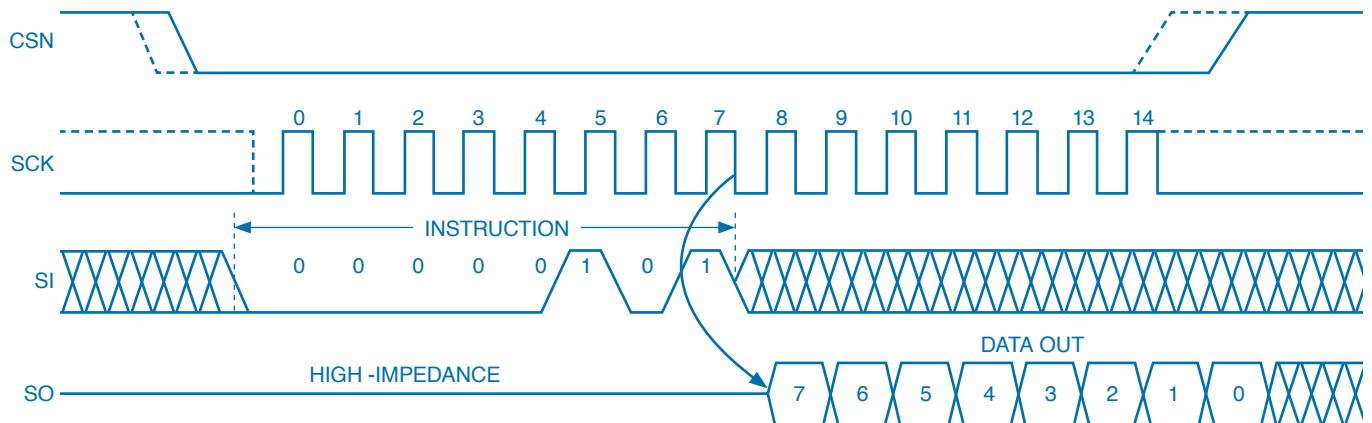
Dashed line = mode (1, 1)

Serial Mode Write Disable (WRDI) Instruction Timing



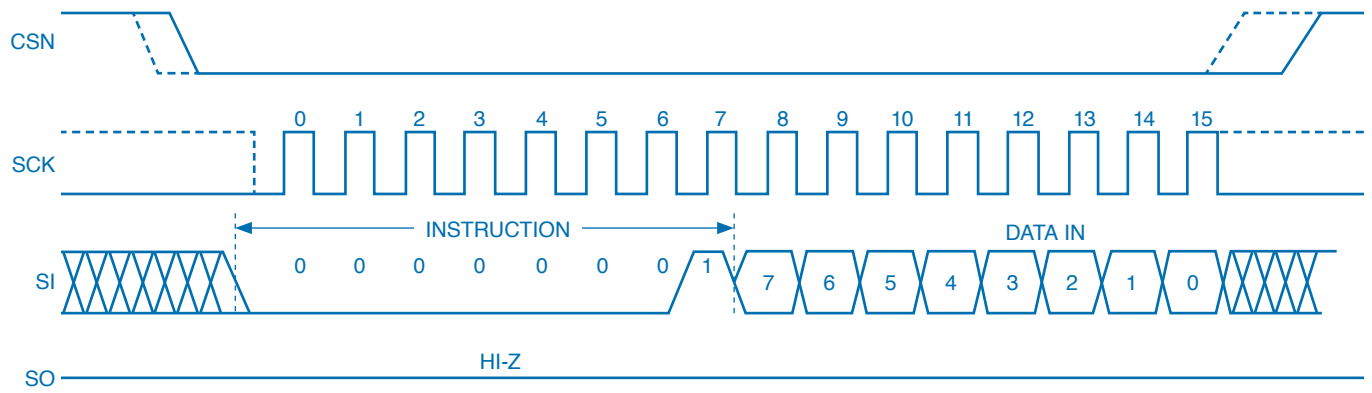
Dashed line = mode (1, 1)

Serial Mode Read Status Register (RDSR) Instruction Timing



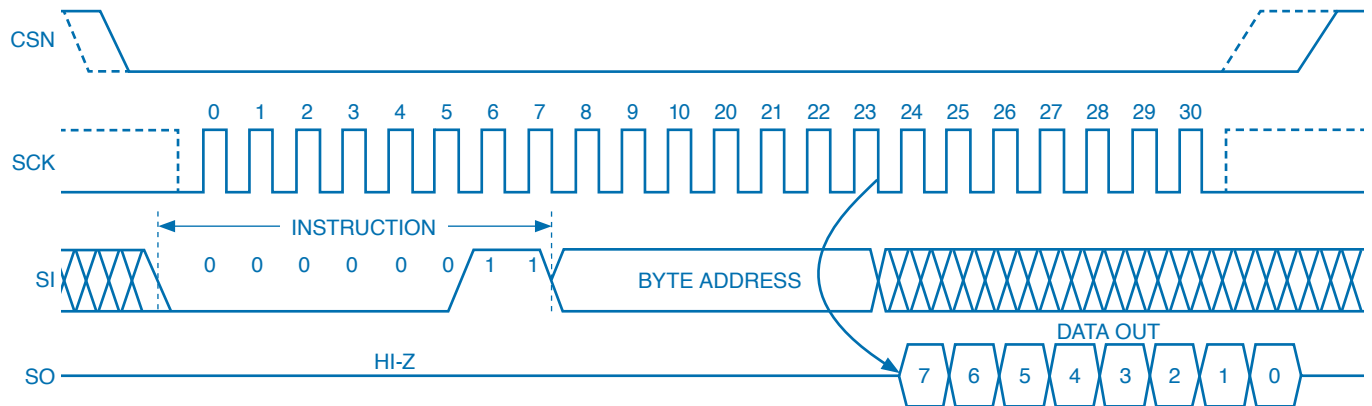
Dashed line = mode (1, 1)

Serial Mode Write Status Register (WRSR) Instruction Timing



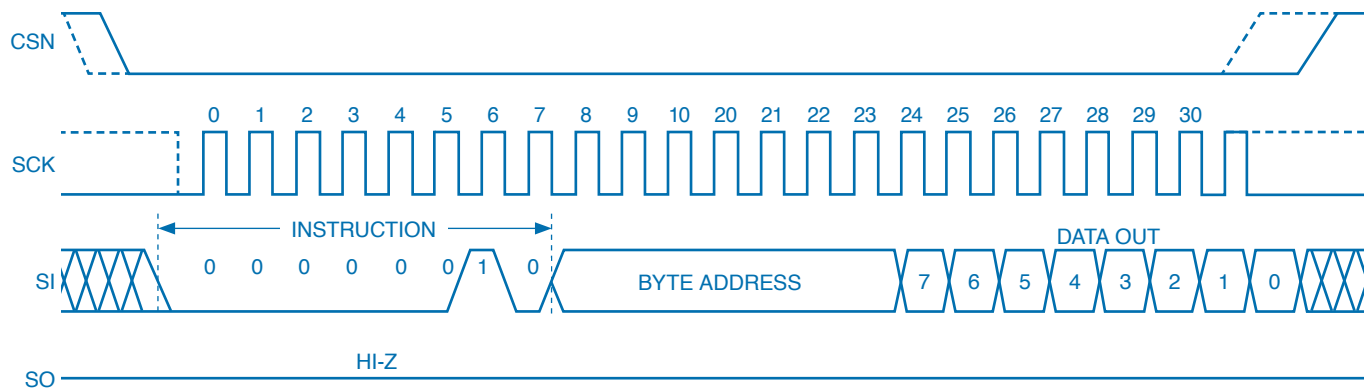
Dashed line = mode (1, 1)

Serial Mode Read Instruction Timing



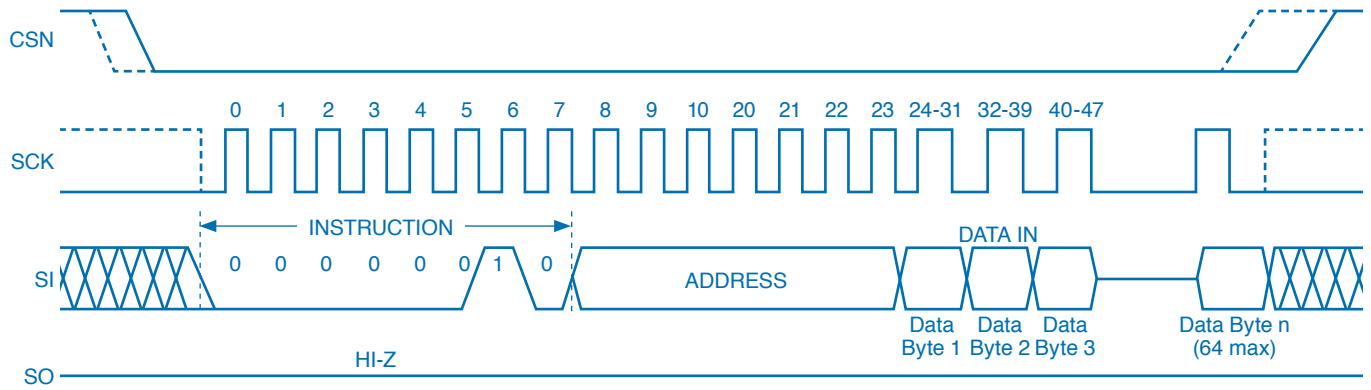
Dashed line = mode (1, 1)

Serial Mode Byte Write Instruction Timing



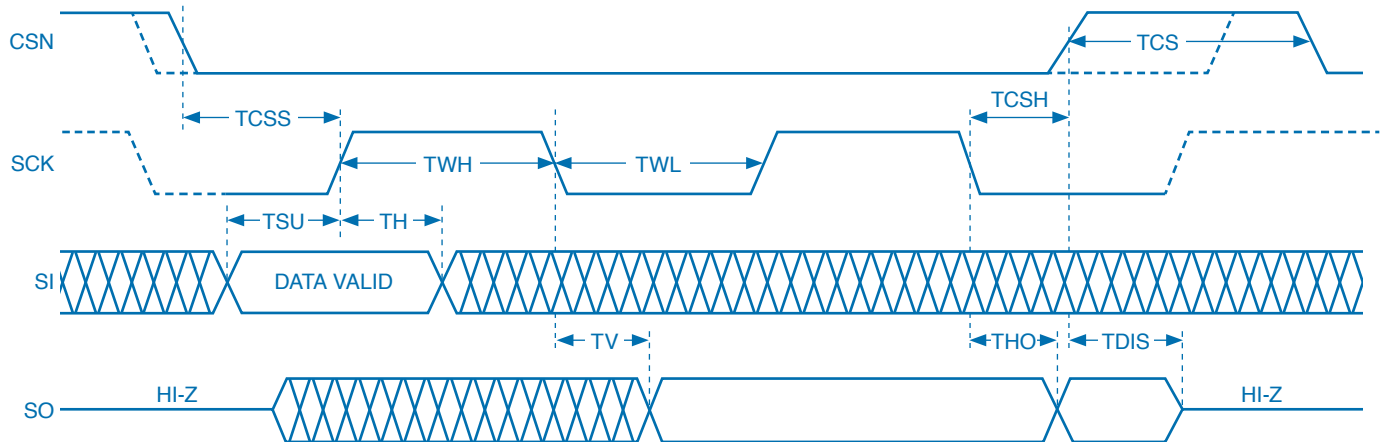
Dashed line = mode (1, 1)

Serial Mode Page Write Instruction Timing



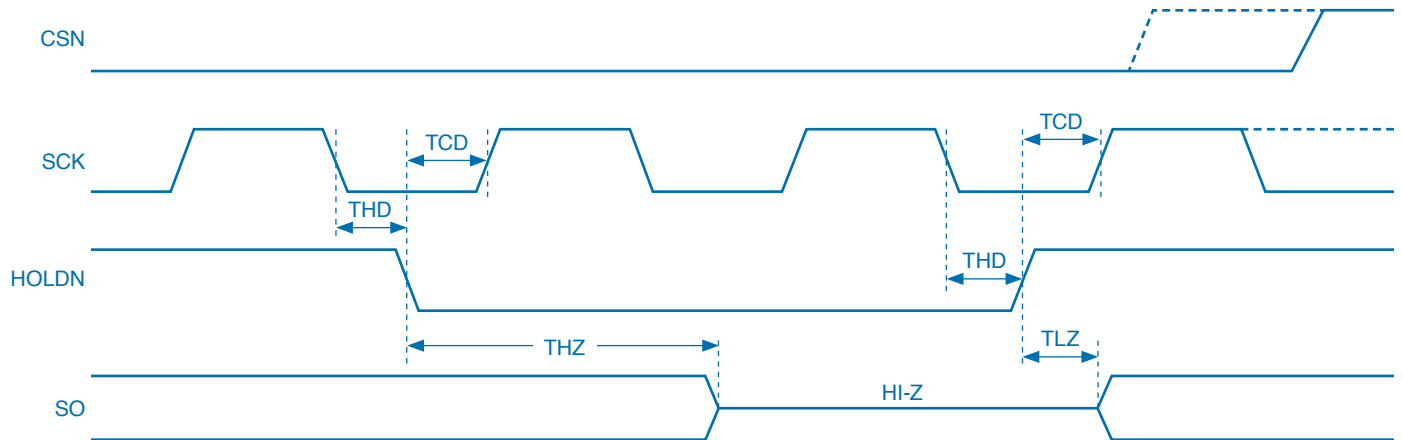
Dashed line = mode (1, 1)

Serial Mode Synchronous Data Timing



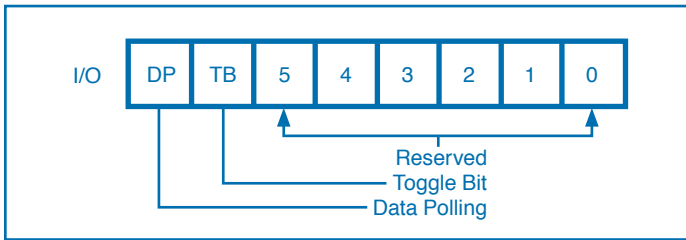
Dashed line = mode (1, 1)

Serial Mode Holdn Timing

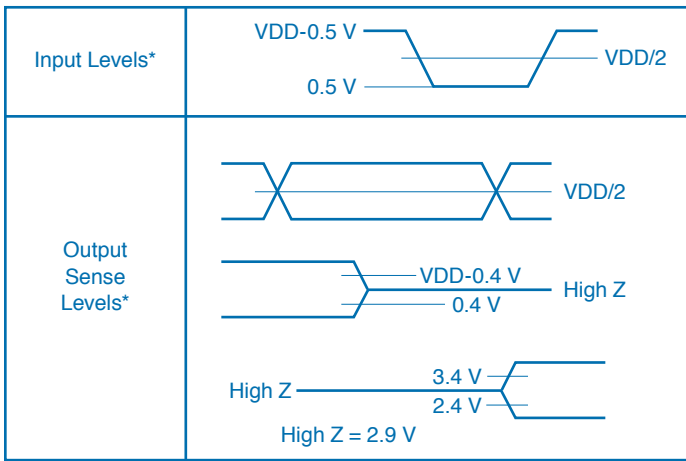


Dashed line = mode (1, 1)

Write Cycle Status Bit Assignment

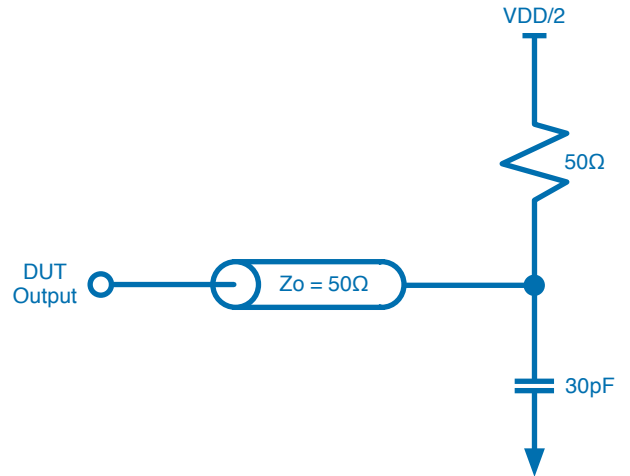


Tester AC Timing Characteristics



* Input rise and fall times < 5 ns

Tester Equivalent Load



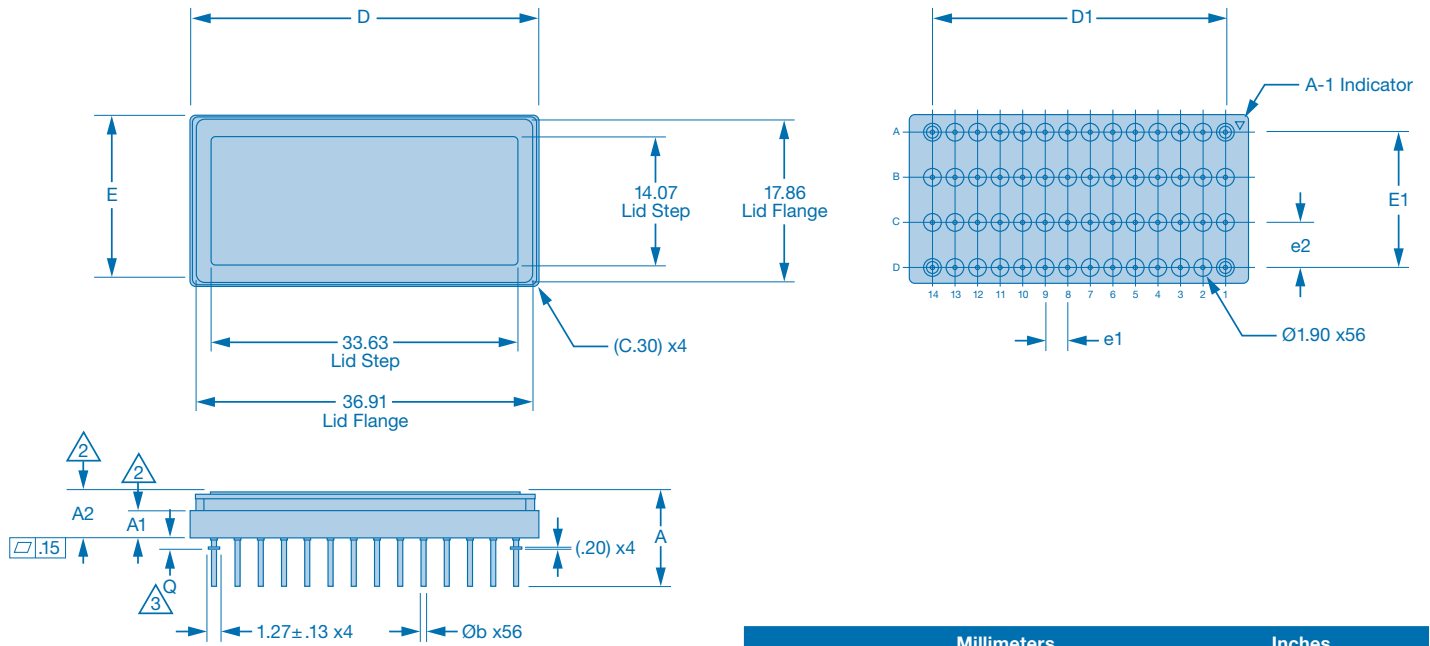
Capacitive load consists of all components of the test environment.

Reliability

Honeywell understands the stringent reliability requirements that high temperature systems require and has extensive experience in reliability testing on programs of this nature. Reliability attributes of the SOI process were characterized by testing specially designed

structures to evaluate failure mechanisms including hot carriers, electro-migration, and time-dependent dielectric breakdown. The results are fed back to improve the process to ensure the highest reliability products.

Package Outline Dimensions



1. CONTROLLING DIMENSIONS ARE IN MILLIMETERS.
2. DIMENSION A1 IS THE THICKNESS OF THE PACKAGE BODY AND DIMENSION A2 INCLUDES THE PACKAGE BODY AND THE LID.
3. DIMENSION Q IS MEASURED FROM THE BOTTOM OF THE PACKAGE BODY AND THE BOTTOM OF THE STANDOFF.

Dimensions	Millimeters			Inches		
	Min	Nom	Max	Min	Nom	Max
A	9.69	10.28	10.86	.381	.405	.428
A1	2.74	3.04	3.34	.108	.120	.131
A2	4.49	4.95	5.40	.177	.195	.213
b	0.41	0.46	0.51	.016	.018	.020
D	37.72	38.10	38.48	1.485	1.500	1.515
E	18.86	19.05	19.24	.743	.750	.757
D1	32.69	33.02	33.35	1.287	1.300	1.313
E1	15.09	15.24	15.39	.594	.600	.606
e1	2.41	2.54	2.67	.095	.100	.105
e2	4.95	5.08	5.21	.195	.200	.205
Q	1.14	1.27	1.40	.045	.050	.055
N	56					

HTEE25608 Mass: The EEPROM has a typical mass of 13.3 grams.

Ordering Information

H		T		EE		25608		D
Source H = Honeywell		Process T = Hi Temp SOI		Part Type EE = Electrically Erasable PROM		Description 25608 = 256k, 8bit wide bus		Package D = 56 Lead PGA

Honeywell reserves the right to make changes to any products or technology herein to improve reliability, function or design. Honeywell does not assume any liability arising out of the application or use of any product or circuit described herein; neither does it convey any license under its patent rights nor the rights of others.

Find out more

For more information on Honeywell's High Temperature Electronics visit us online at <http://www.hightempsolutions.com/>, or contact us at 800-323-8295 or 763-954-2474. Customer Service Email: ps.customer.support@honeywell.com.

Honeywell Aerospace

Honeywell
12001 Highway 55
Plymouth, MN 55441
Telephone: 1.800.323.8295
www.hightempsolutions.com

Form # ADS-14232
May 2013
© 2013 Honeywell International Inc.

The Honeywell logo is displayed in a bold, red, sans-serif font.