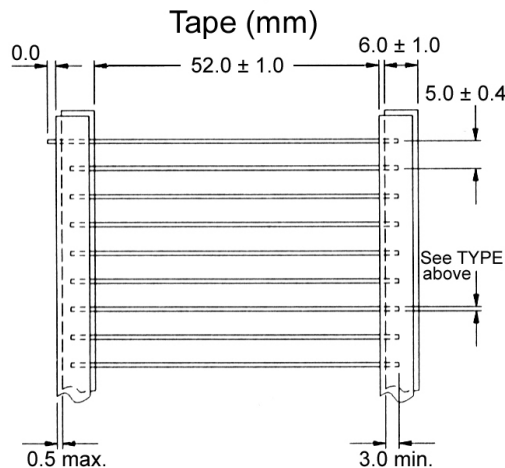


Features:

- Ideal for crossovers or jumpers on circuit boards
- High current ratings
- Standard JW is copper plated steel, with 100% tin overplate
- 100% tin plate on copper wire is available as type JWQ
- 100% RoHS compliant and lead free without exemption
- Halogen free
- REACH compliant

Electrical and Mechanical Specifications				
Type / Code	Gauge Reference	Maximum Current (A)	Diameter	Unit
JW50	24	3	0.020 ± 0.0008	inches
			0.50 ± 0.02	mm
JW55	23	3	0.022 ± 0.0012	inches
			0.55 ± 0.03	mm
JW60	22	3	0.024 ± 0.0012	inches
			0.60 ± 0.03	mm
JW80	20	4	0.031 ± 0.002	inches
			0.80 ± 0.05	mm



Performance Characteristics	
Item	Specification
Coating Thickness	5u ± 2u
Bending	7.1 0.4mm - below 0.6mm - 250g 7.2 0.6mm - below 1 - 500g
Heat Reliability	8.1 Sn 100%: Heat 195°C ± 5°C / 1 hour
Humidity	40°C / 90 - 95RH / 72 hours
Solderability	235°C ± 5°C / 3 seconds

RoHS Compliance

Stackpole Electronics has joined the worldwide effort to reduce the amount of lead in electronic components and to meet the various regulatory requirements now prevalent, such as the European Union's directive regarding "Restrictions on Hazardous Substances" (RoHS 3). As part of this ongoing program, we periodically update this document with the status regarding the availability of our compliant components. All our standard part numbers are compliant to EU Directive 2011/65/EU of the European Parliament as amended by Directive (EU) 2015/863/EU as regards the list of restricted substances.

RoHS Compliance Status						
Standard Product Series	Description	Package / Termination Type	Standard Series RoHS Compliant	Lead-Free Termination Composition	Lead-Free Mfg. Effective Date (Std Product Series)	Lead-Free Effective Date Code (YY/WW)
JW	Tin Plated Jumper Wire Resistor	Axial	YES	100% Matte Sn	Jan-04	04/01

"Conflict Metals" Commitment

We at Stackpole Electronics, Inc. are joined with our industry in opposing the use of metals mined in the "conflict region" of the eastern Democratic Republic of the Congo (DRC) in our products. Recognizing that the supply chain for metals used in the electronics industry is very complex, we work closely with our own suppliers to verify to the extent possible that the materials and products we supply do not contain metals sourced from this conflict region. As such, we are in compliance with the requirements of Dodd-Frank Act regarding Conflict Minerals.

Compliance to "REACH"

We certify that all passive components supplied by Stackpole Electronics, Inc. are SVHC (Substances of Very High Concern) free and compliant with the requirements of EU Directive 1907/2006/EC, "The Registration, Evaluation, Authorization and Restriction of Chemicals", otherwise referred to as REACH. Contact us for complete list of REACH Substance Candidate List.

Environmental Policy

It is the policy of Stackpole Electronics, Inc. (SEI) to protect the environment in all localities in which we operate. We continually strive to improve our effect on the environment. We observe all applicable laws and regulations regarding the protection of our environment and all requests related to the environment to which we have agreed. We are committed to the prevention of all forms of pollution.

How to Order

