

Customer Information Sheet

DRAWING No.: G125-FS1XX05FIP

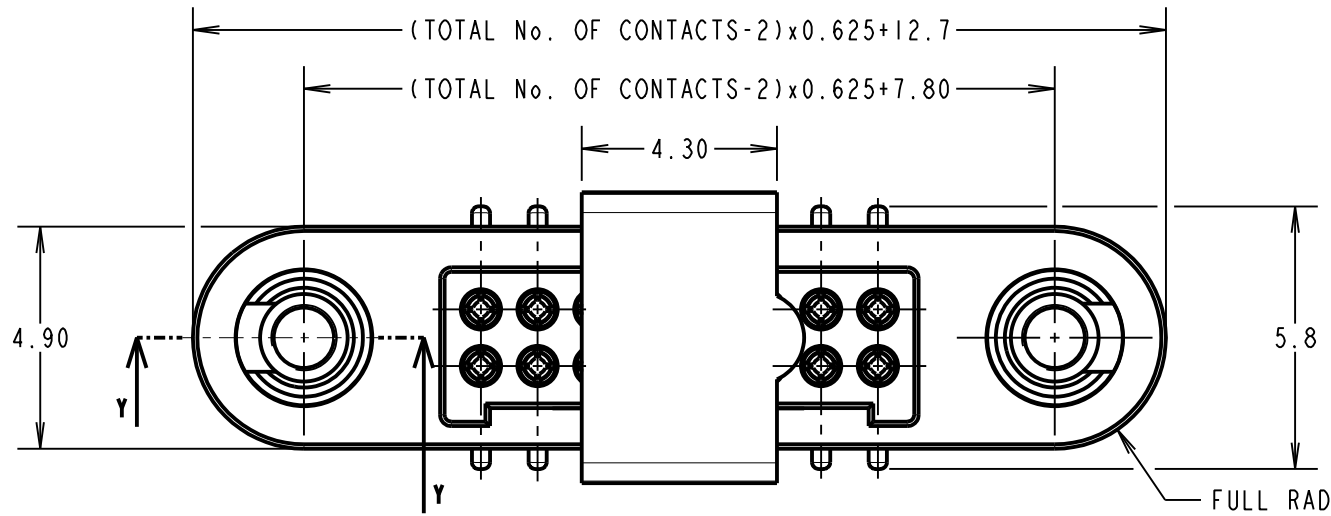
IF IN DOUBT - ASK

©

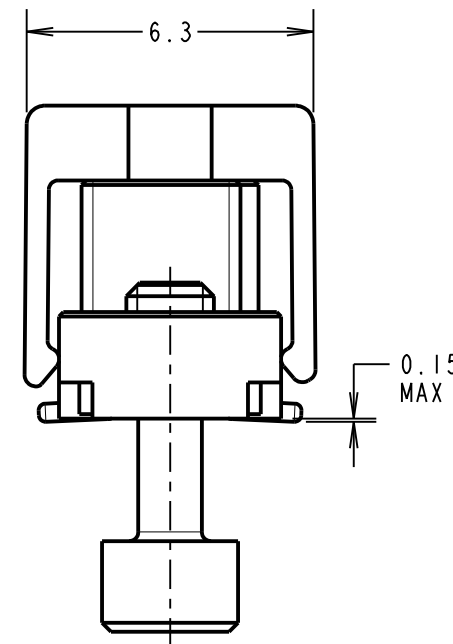
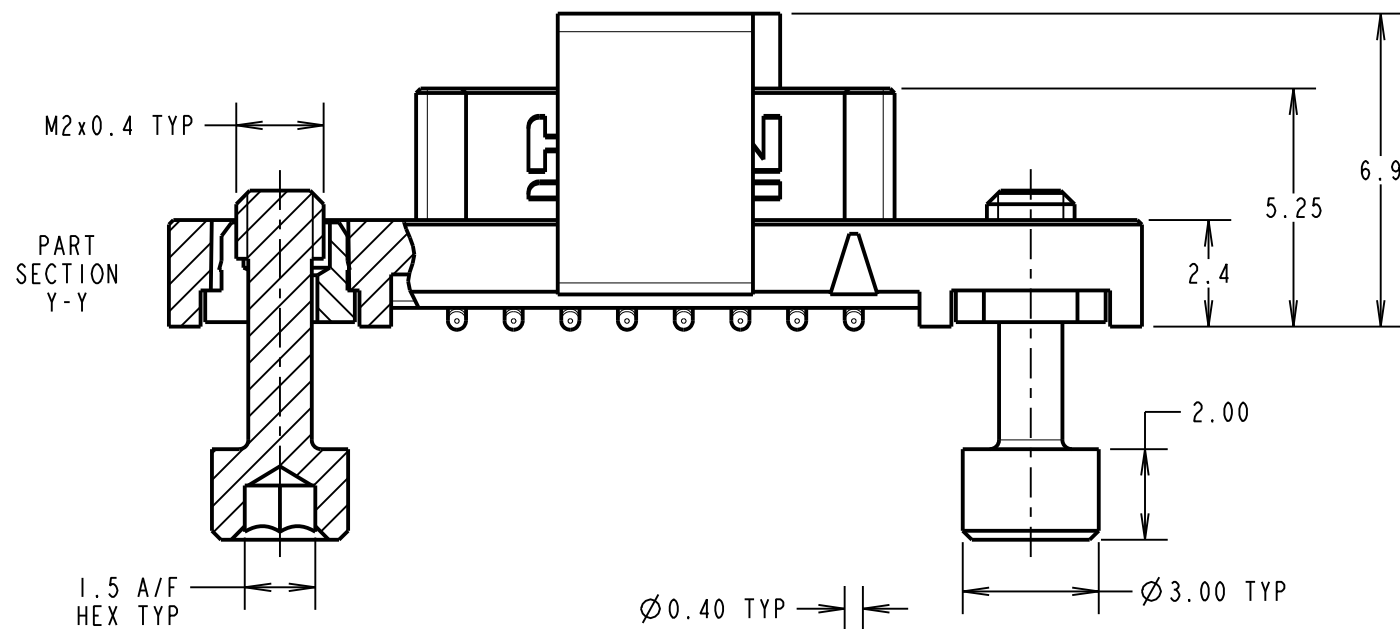
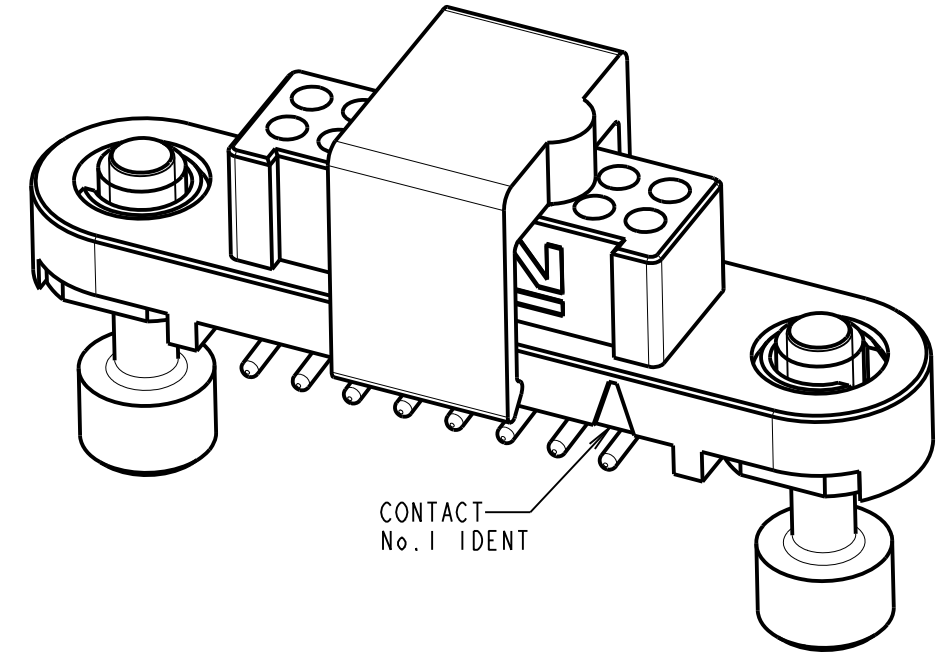
NOT TO SCALE

THIRD ANGLE PROJECTION

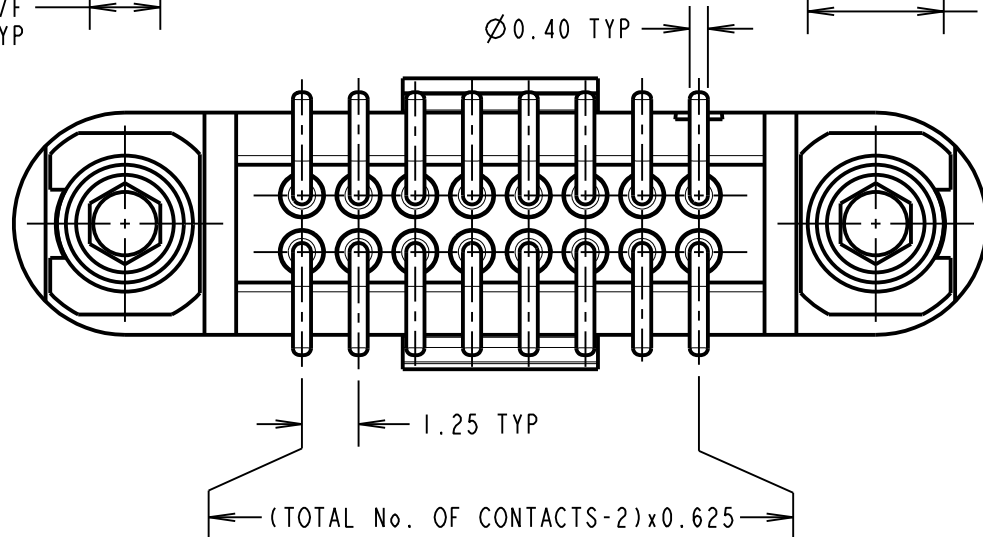
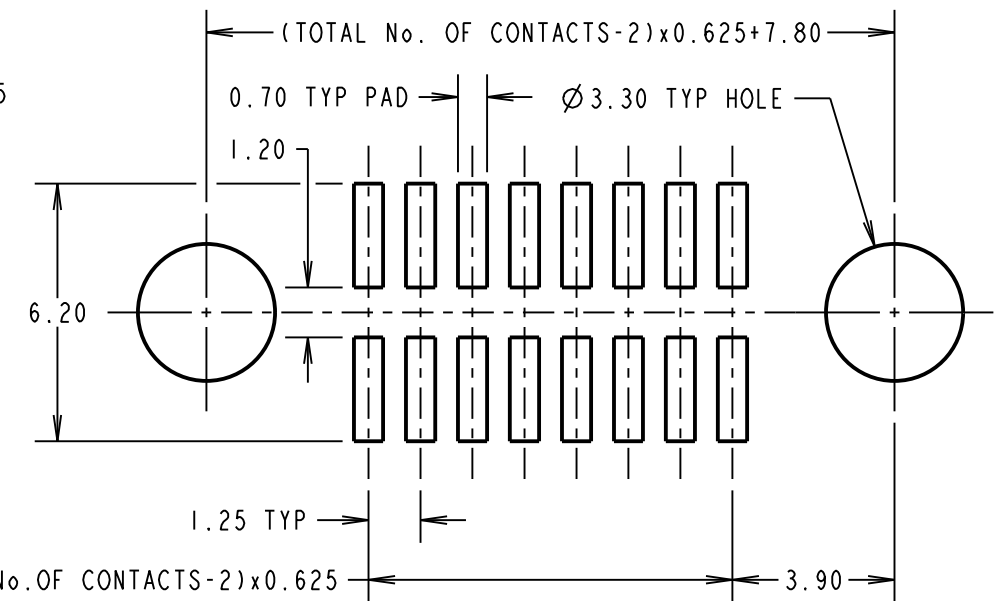
ALL DIMENSIONS IN mm



ORDER CODE: **G125-FS1XX05FIP**
 TOTAL No. OF CONTACTS:
 06, 10, 12, 16, 20, 26, 34 & 50.



RECOMMENDED PCB LAYOUT
 (ALL TOLERANCES ±0.05)



CONNECTOR AND PCB LAYOUT DETAILS ONLY.
 SEE SHEET 6 FOR TAPE STRIP DETAILS.

NOTES:

- FOR MATERIALS, FINISH AND SPECIFICATIONS SEE GECKO SERIES SPECIFICATION SUMMARY SHEET OR COMPONENT SPECIFICATION C125XX (LATEST ISSUE) FOR FULL SPECIFICATION.
- CO-PLANARITY OF SMT TAILS = 0.10mm MAX.
- DRAWING SHOWS CONNECTOR WITH 16 CONTACTS.



HARWIN

www.harwin.com
 technical@harwin.com

THIS DRAWING AND ANY INFORMATION OR DESCRIPTIVE MATTER SET OUT HEREON ARE CONFIDENTIAL AND COPYRIGHT PROPERTY OF THE HARWIN GROUP AND MUST NOT BE DISCLOSED, LOANED, COPIED OR USED FOR MANUFACTURING, TENDERING OR FOR ANY OTHER PURPOSE WITHOUT THEIR WRITTEN PERMISSION.

TOLERANCES

X. = ±1mm
 X.X = ±0.50mm
 X.XX = ±0.20mm
 X.XXX = ±0.01mm
 ANGLES = ±5°
 UNLESS STATED

MATERIAL:

SEE ABOVE

FINISH:

SEE ABOVE

S/AREA:

mm²

TITLE:

GECKO SL SERIES FEMALE
 VERTICAL SMT CONNECTOR

DRAWING NUMBER:

G125-FS1XX05FIP

RTP	4	15.09.21	30824
NAME	ISS.	DATE	CN/CO
APPROVED: R.PORTLOCK			
CHECKED: R.ALEXANDER			
DRAWN: MARK G PLESTED			
CUSTOMER REF.:			
ASSEMBLY DRG:			

Customer Information Sheet

DRAWING No.: G125-FSIXX05FIP

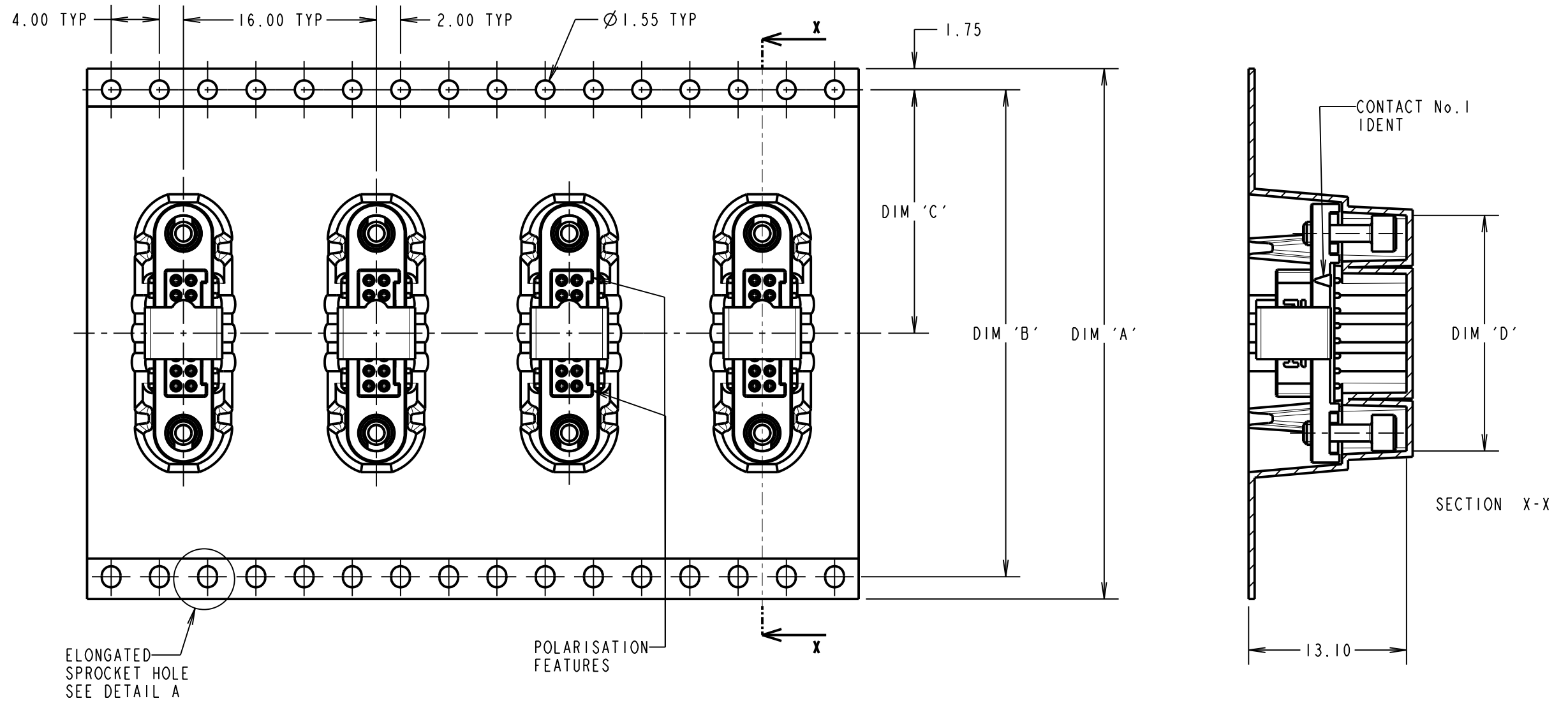
IF IN DOUBT - ASK

©

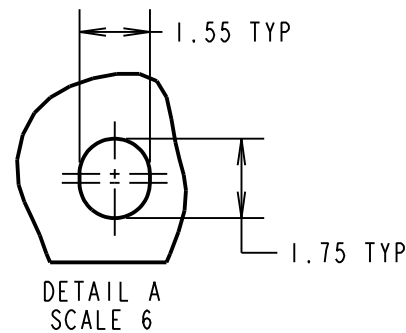
NOT TO SCALE

THIRD ANGLE PROJECTION

ALL DIMENSIONS IN mm



ORDER CODE: **G125-FSIXX05FIP**
 TOTAL No. OF CONTACTS: _____
 06, 10, 12, 16, 20, 26, 34 & 50.



PART No.	DIM 'A'	DIM 'B'	DIM 'C'	DIM 'D'
G125-FSI0605FIP				13.60±0.15
G125-FSI1005FIP	32.0±0.3	28.40	14.20±0.15	16.10±0.15
G125-FSI1205FIP				17.35±0.15
G125-FSI1605FIP				19.85±0.15
G125-FSI2005FIP	44.0±0.3	40.40	20.20±0.15	22.20±0.15
G125-FSI2605FIP				26.00±0.15
G125-FSI3405FIP				30.90±0.15
G125-FSI5005FIP	56.0±0.3	52.40	26.20±0.15	41.00±0.15

RTP	4	15.09.21	30824
NAME	ISS.	DATE	CN/CO
APPROVED: R.PORTLOCK			
CHECKED: R.ALEXANDER			
DRAWN: MARK G PLESTED			
CUSTOMER REF.:			
ASSEMBLY DRG:			

- NOTES:
- COMPONENTS ARE ORIENTED IN TAPE POCKETS AS SHOWN.
 - COMPONENTS ARE SUPPLIED IN STRIPS OF 10 UNLESS OTHERWISE SPECIFIED.
 - LARGE QTY'S MAY BE SHIPPED ON A REEL AND MAY NOT HAVE A LEADER.
 - FOR PARTS ON REEL SUITABLE FOR AUTOMATIC MACHINE PLACEMENT PLEASE ORDER: G125-FSIXX05FIR.

HARWIN

www.harwin.com
 technical@harwin.com

THIS DRAWING AND ANY INFORMATION OR DESCRIPTIVE MATTER SET OUT HEREON ARE CONFIDENTIAL AND COPYRIGHT PROPERTY OF THE HARWIN GROUP AND MUST NOT BE DISCLOSED, LOANED, COPIED OR USED FOR MANUFACTURING, TENDERING OR FOR ANY OTHER PURPOSE WITHOUT THEIR WRITTEN PERMISSION.

TOLERANCES

X. = ±1mm
 X.X = ±0.50mm
 X.XX = ±0.20mm
 X.XXX = ±0.01mm
 ANGLES = ±5°
 UNLESS STATED

MATERIAL:

SEE ABOVE

FINISH: SEE ABOVE

S/AREA:

mm²

TITLE:

GECKO SL SERIES FEMALE VERTICAL SMT CONNECTOR

DRAWING NUMBER:

G125-FSIXX05FIP

SHT 6 OF 6