

# Customer Information Sheet

DRAWING No.: G125-FS1XX05L0R

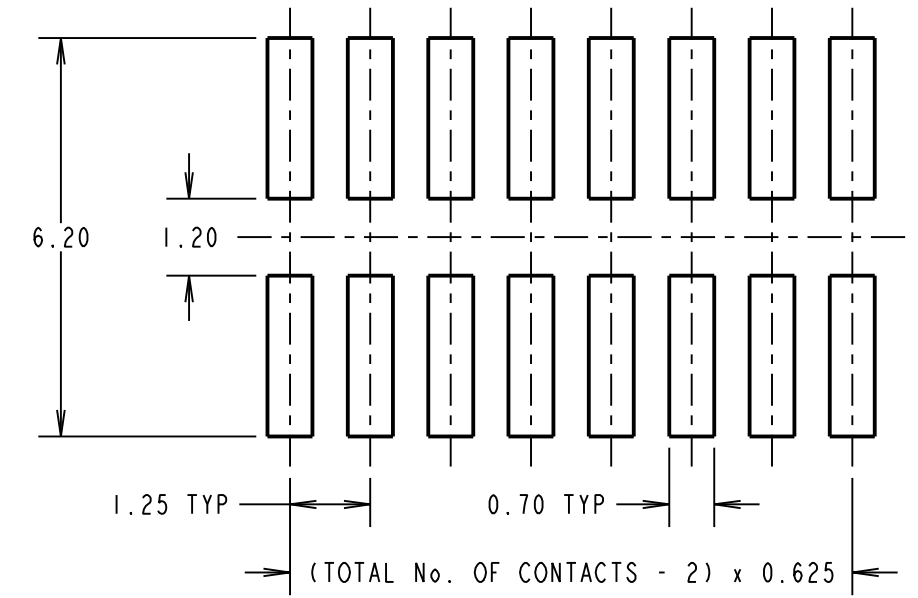
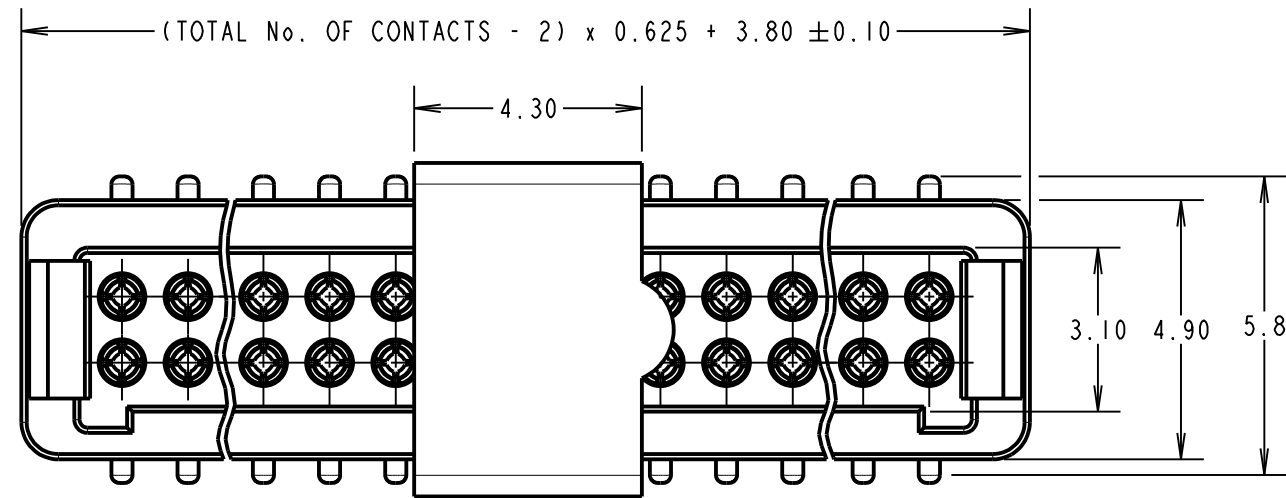
IF IN DOUBT - ASK

©

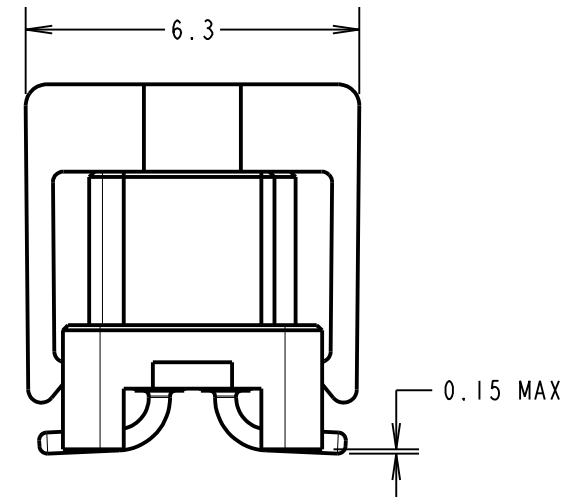
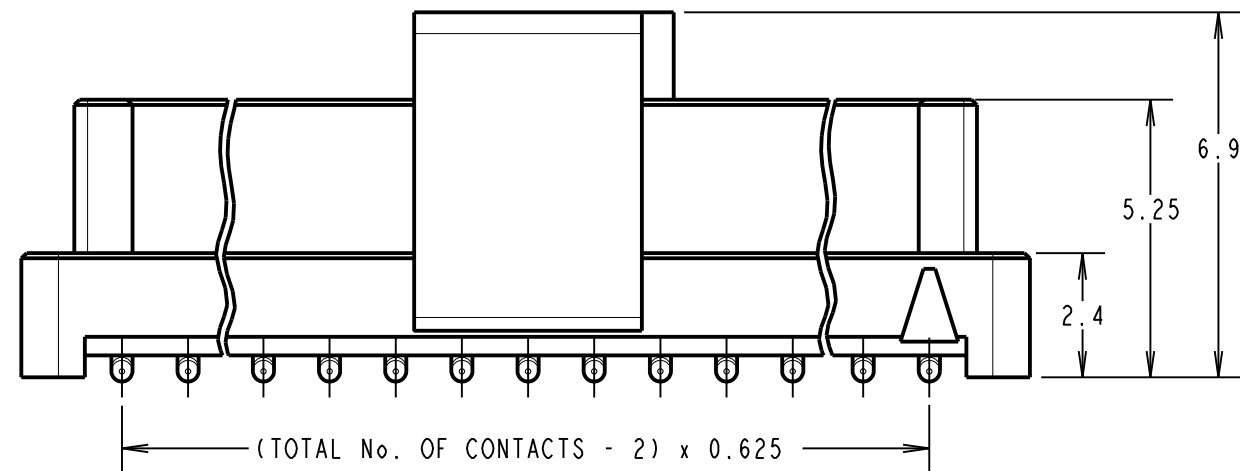
NOT TO SCALE

THIRD ANGLE PROJECTION

ALL DIMENSIONS IN mm

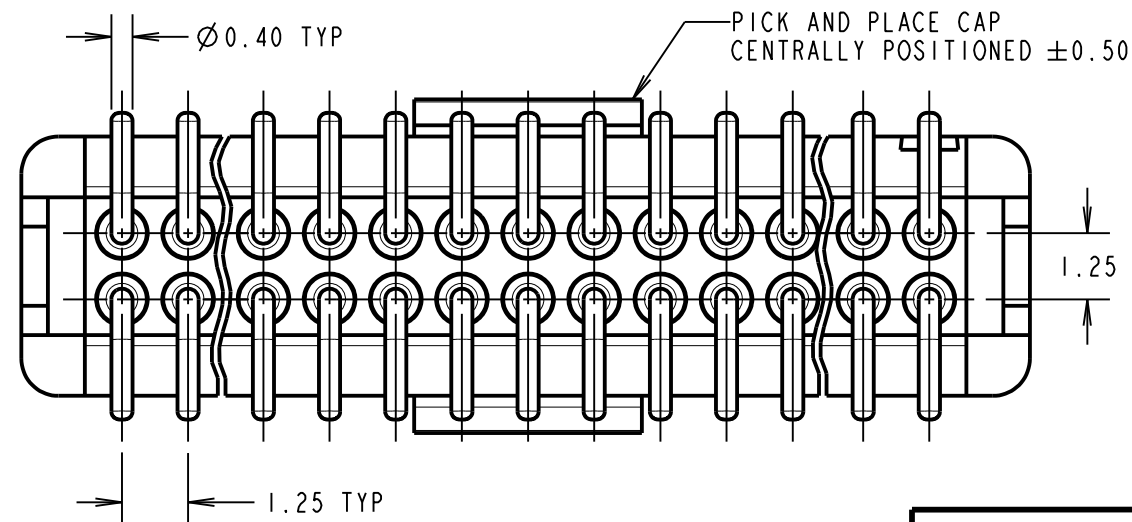


RECOMMENDED PCB LAYOUT  
(ALL TOLERANCES ±0.05mm)



ORDER CODE: **G125-FS1XX05L0R**

TOTAL No. OF CONTACTS: 06, 10, 12, 16, 20, 26, 34, 50.



CONNECTOR DETAILS AND PCB LAYOUT ONLY.  
SEE SHEET 6 FOR TAPE AND REEL DETAILS.

- NOTES:
- FOR COMPLETE SPECIFICATION, SEE COMPONENT SPECIFICATION C125XX (LATEST ISSUE).
  - CO-PLANARITY OF SMT TAILS NOT TO EXCEED 0.10mm. RECOMMENDED SOLDER PASTE THICKNESS = 0.125mm MIN.

MR	5	16.11.21	31226
NAME	ISS.	DATE	CN/CO
APPROVED:		M. RUDKIN	
CHECKED:		R. PORTLOCK	
DRAWN:		S. FLOWER	
CUSTOMER REF.:			
ASSEMBLY DRG:			

**HARWIN**

www.harwin.com  
technical@harwin.com

THIS DRAWING AND ANY INFORMATION OR DESCRIPTIVE MATTER SET OUT HEREON ARE CONFIDENTIAL AND COPYRIGHT PROPERTY OF THE HARWIN GROUP AND MUST NOT BE DISCLOSED, LOANED, COPIED OR USED FOR MANUFACTURING, TENDERING OR FOR ANY OTHER PURPOSE WITHOUT THEIR WRITTEN PERMISSION.

TOLERANCES  
X. = ±1mm  
X.X = ±0.50mm  
X.XX = ±0.20mm  
X.XXX = ±0.01mm  
ANGLES = ±5°  
UNLESS STATED

MATERIAL:  
SEE C125XX  
FINISH: SEE C125XX  
S/AREA: mm<sup>2</sup>

TITLE:  
1.25mm GECKO FEMALE VERTICAL  
SMT CONNECTORS IN TAPE & REEL  
DRAWING NUMBER:  
**G125-FS1XX05L0R**  
SHT 5 OF 6

# Customer Information Sheet

DRAWING No.: G125-FS1XX05LOR

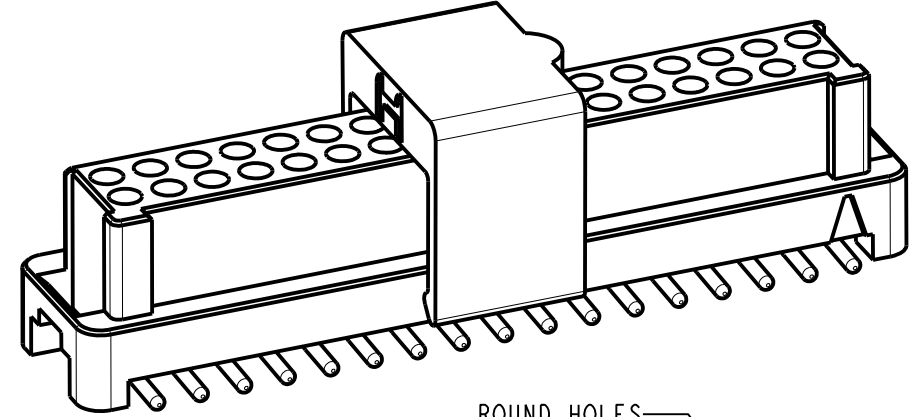
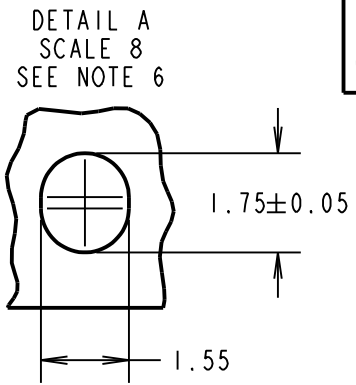
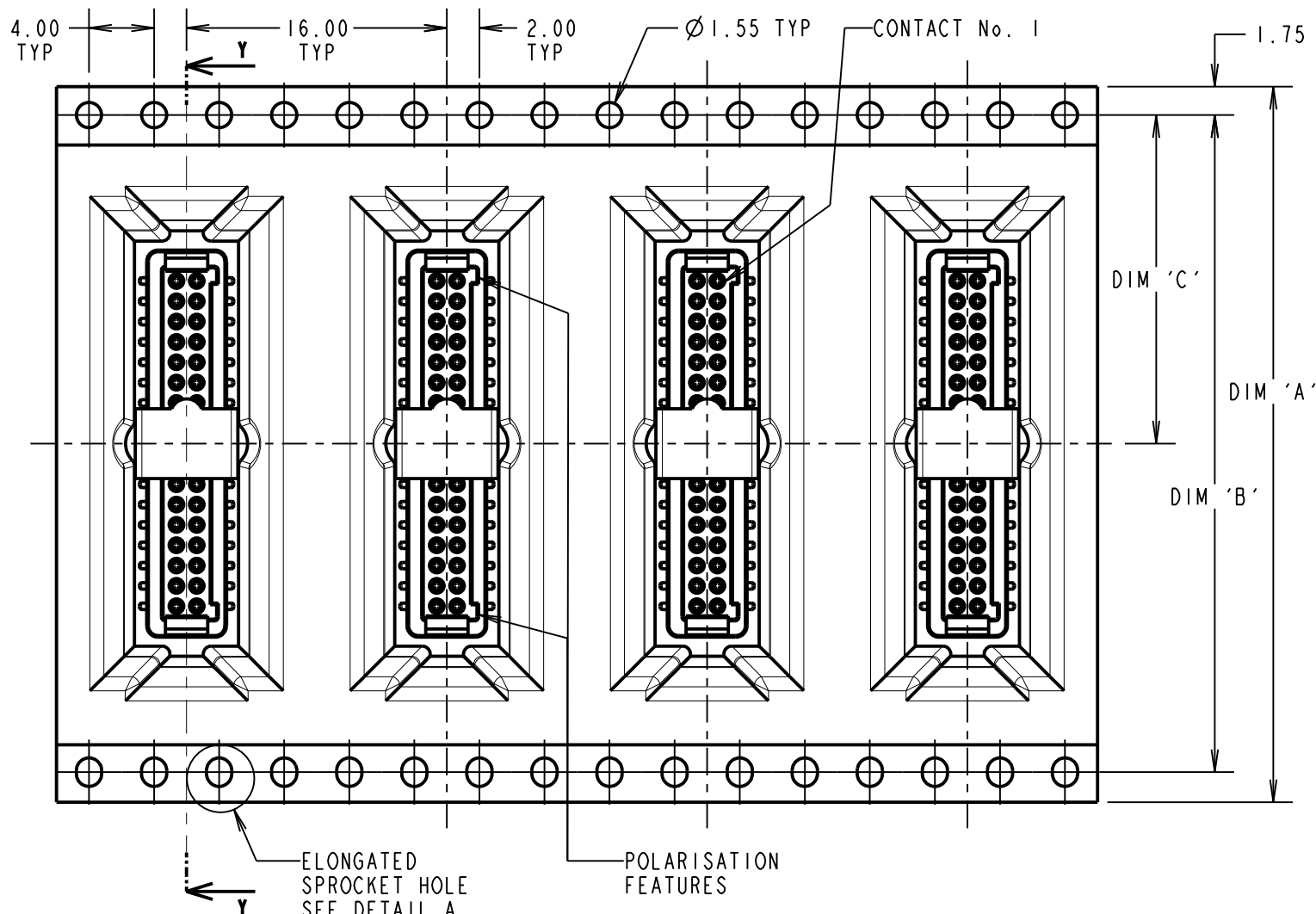
IF IN DOUBT - ASK

©

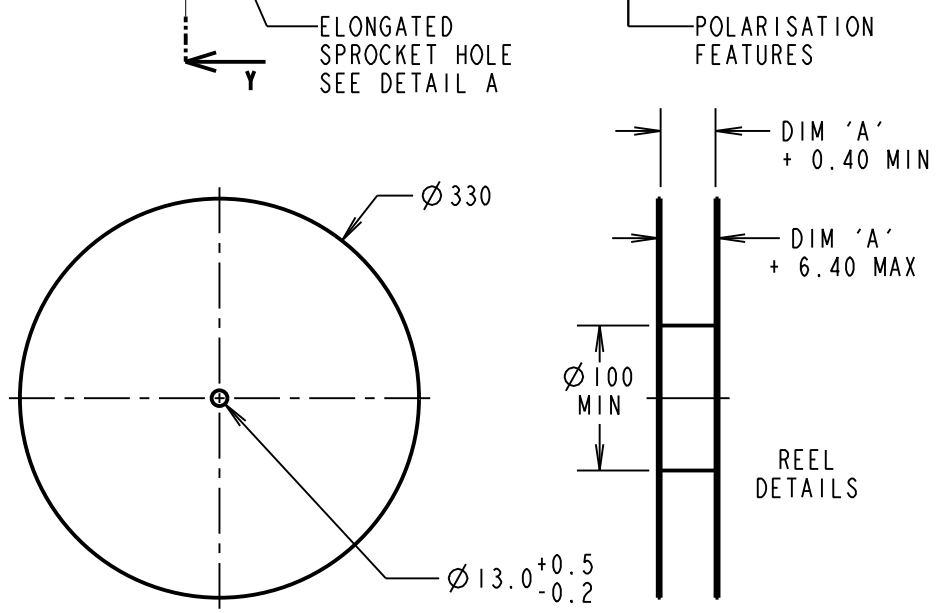
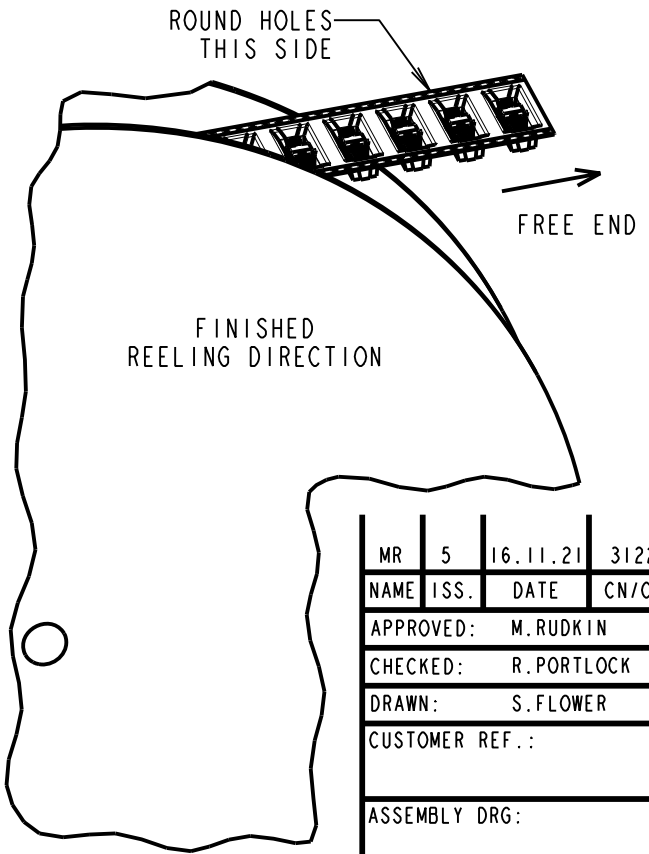
NOT TO SCALE

THIRD ANGLE PROJECTION

ALL DIMENSIONS IN mm



ORDER CODE: **G125-FS1XX05LOR**  
 TOTAL No. OF CONTACTS: 06, 10, 12, 16, 20, 26, 34, 50.



REELED PART No.	DIM 'A'	DIM 'B'	DIM 'C'	DIM 'D'
G125-FVX0605LOR	24.0±0.3	NO ELONGATED HOLE	11.50	(8.6)
G125-FVX1005LOR		(11.1)		
G125-FVX1205LOR	32.0±0.3	28.40	14.20	(12.4)
G125-FVX1605LOR				(14.9)
G125-FVX2005LOR	44.0±0.3	40.40	20.2±0.15	(18.1)
G125-FVX2605LOR				(21.9)
G125-FVX3405LOR	56.0±0.3	52.40	26.2±0.15	(26.9)
G125-FVX5005LOR				(36.1)

- NOTES:
1. QUANTITY OF COMPONENTS PER REEL = 400.
  2. SEE DRAWING G125-FS1XX05LOR FOR OTHER QUANTITIES.
  3. THIS PRODUCT IS TAPED AND REELED IN ACCORDANCE WITH EIA-481 (ELECTRONIC INDUSTRIES ASSOCIATION).
  4. FOR COMPLETE SPECIFICATION, SEE COMPONENT SPECIFICATION C125XX (LATEST ISSUE).
  5. COMPONENTS ARE ORIENTATED IN TAPE POCKETS SO THAT THE POLARISING FEATURES ARE FACING TOWARDS THE FREE END.
  6. ELONGATED SPROCKET HOLE NOT PRESENT ON 06 & 10 POSITIONS.

**HARWIN**  
 www.harwin.com  
 technical@harwin.com

THIS DRAWING AND ANY INFORMATION OR DESCRIPTIVE MATTER SET OUT HEREON ARE CONFIDENTIAL AND COPYRIGHT PROPERTY OF THE HARWIN GROUP AND MUST NOT BE DISCLOSED, LOANED, COPIED OR USED FOR MANUFACTURING, TENDERING OR FOR ANY OTHER PURPOSE WITHOUT THEIR WRITTEN PERMISSION.

TOLERANCES  
 X. = ±1mm  
 X.X = ±0.50mm  
 X.XX = ±0.20mm  
 X.XXX = ±0.01mm  
 ANGLES = ±5°  
 UNLESS STATED

MATERIAL: SEE C125XX  
 FINISH: SEE C125XX  
 S/AREA: mm<sup>2</sup>

TITLE: 1.25mm GECKO FEMALE VERTICAL SMT CONNECTORS IN TAPE & REEL  
 DRAWING NUMBER: **G125-FS1XX05LOR**  
 SHT 6 OF 6

MR	5	16.11.21	31226
NAME	ISS.	DATE	CN/CO
APPROVED:		M. RUDKIN	
CHECKED:		R. PORTLOCK	
DRAWN:		S. FLOWER	
CUSTOMER REF.:			
ASSEMBLY DRG:			