

Customer Information Sheet

DRAWING No.: G125-FVIXXF1-XXAB000P

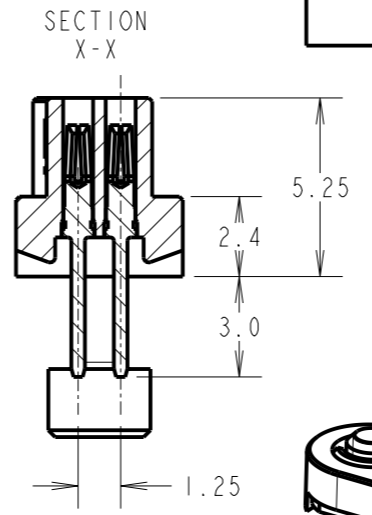
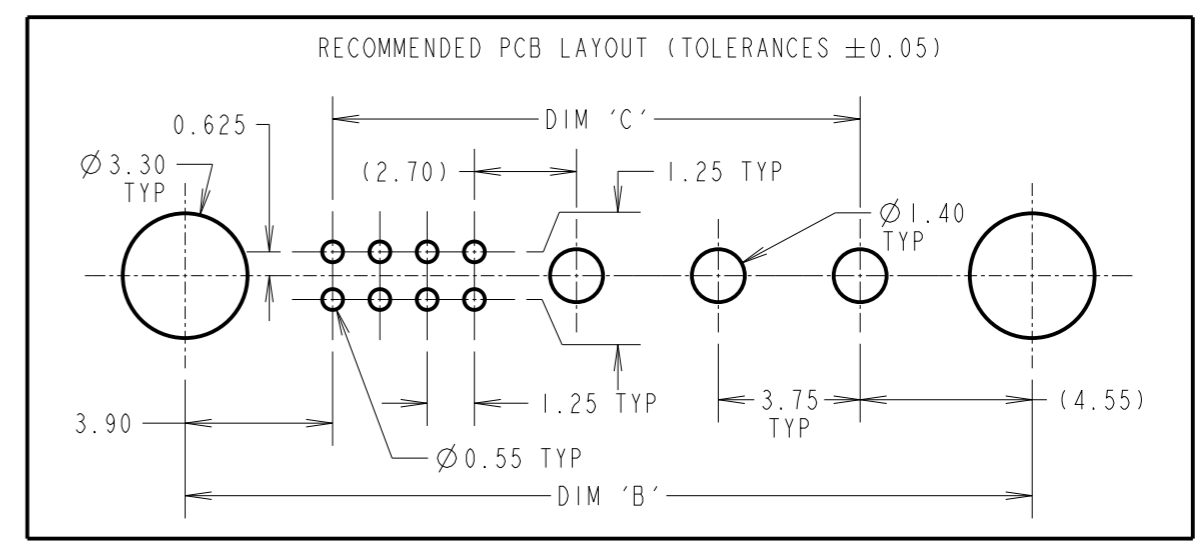
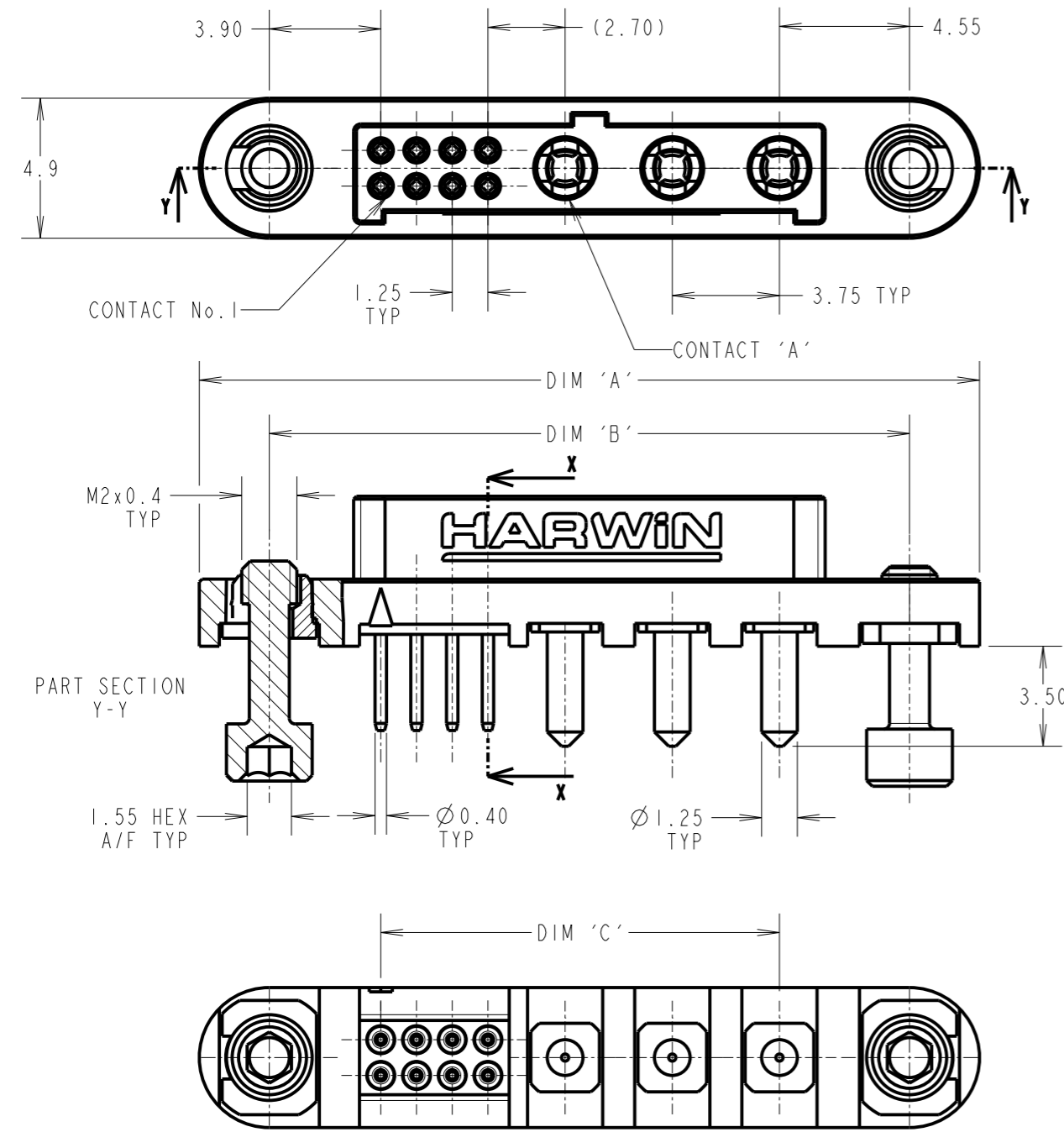
IF IN DOUBT - ASK

©

NOT TO SCALE

THIRD ANGLE PROJECTION

ALL DIMENSIONS IN mm



ORDER CODE:
G125-FVIXXF1-XXAB000P

No. OF SIGNAL CONTACTS (SEE TABLE 2)

No. OF POWER CONTACTS (SEE TABLE 2)

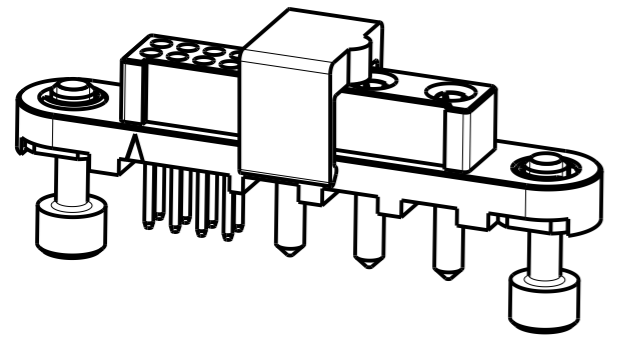
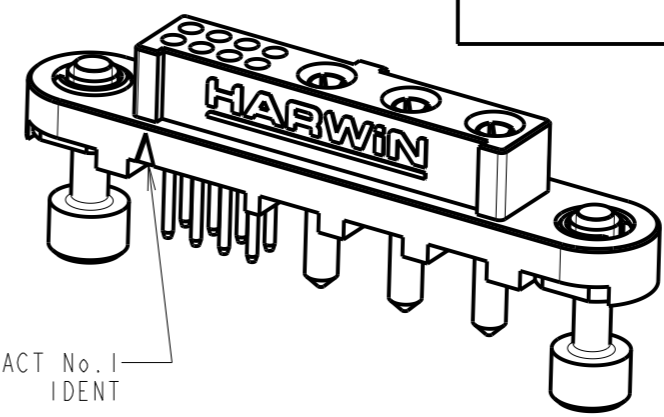


TABLE 1: DIMENSION CALCULATIONS

DIMENSION	CALCULATION
DIM 'A'	((TOTAL No. OF SIGNAL CONTACTS - 2) x 0.625) + ((TOTAL No. OF POWER CONTACTS - 1) x 3.75) + 16.05
DIM 'B'	((TOTAL No. OF SIGNAL CONTACTS - 2) x 0.625) + ((TOTAL No. OF POWER CONTACTS - 1) x 3.75) + 11.15
DIM 'C'	((TOTAL No. OF SIGNAL CONTACTS - 2) x 0.625) + ((TOTAL No. OF POWER CONTACTS - 1) x 3.75) + 2.70

RTP	1	25.10.22	31791
NAME	ISS.	DATE	CN/CO
APPROVED: M.RUDKIN			
CHECKED: S.BENNETT			
DRAWN: R.PORTLOCK			
CUSTOMER REF.:			
ASSEMBLY DRG:			

NOTES:
 1. FOR MATERIALS, FINISH AND PERFORMANCE SEE COMPONENT SPECIFICATION C125XX (LATEST ISSUE).

HARWIN

www.harwin.com
 technical@harwin.com

THIS DRAWING AND ANY INFORMATION OR DESCRIPTIVE MATTER SET OUT HEREON ARE CONFIDENTIAL AND COPYRIGHT PROPERTY OF THE HARWIN GROUP AND MUST NOT BE DISCLOSED, LOANED, COPIED OR USED FOR MANUFACTURING, TENDERING OR FOR ANY OTHER PURPOSE WITHOUT THEIR WRITTEN PERMISSION.

TOLERANCES
 X. = ±1mm
 X.X = ±0.50mm
 X.XX = ±0.20mm
 X.XXX = ±0.01mm
 ANGLES = ±5°
 UNLESS STATED

MATERIAL:
 SEE NOTE 1

FINISH: SEE NOTE 1

S/AREA: mm²

TITLE:
 GECKO-MT FEMALE
 VERTICAL PC TAIL CONNECTOR

DRAWING NUMBER:
G125-FVIXXF1-XXAB000P

SHT 3 OF 4

Customer Information Sheet

DRAWING No.: G125-FVIXXF1-XXAB000P

IF IN DOUBT - ASK

©

NOT TO SCALE

THIRD ANGLE PROJECTION

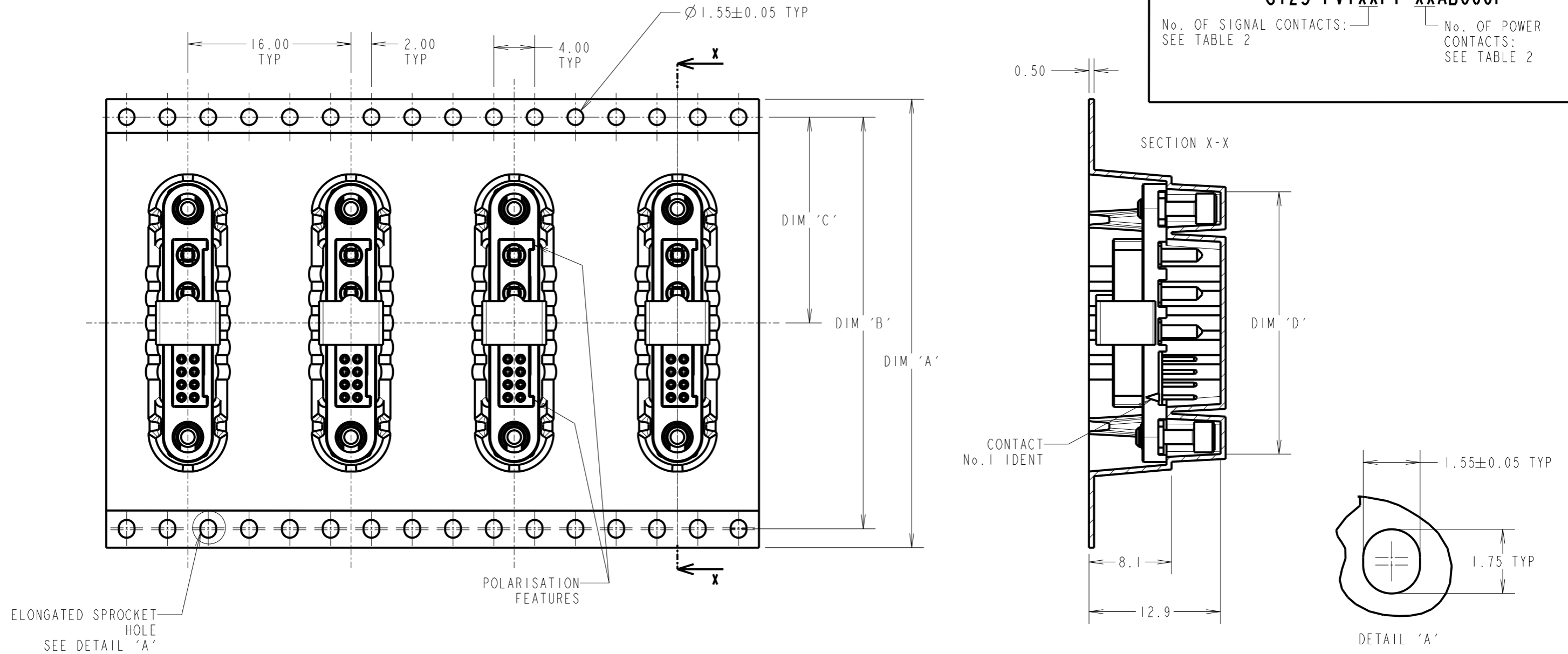
ALL DIMENSIONS IN mm

ORDER CODE:

G125-FVIXXF1-XXAB000P

No. OF SIGNAL CONTACTS:
SEE TABLE 2

No. OF POWER CONTACTS:
SEE TABLE 2



TAPE STRIP DETAILS ONLY,
SEE SHEET 3 FOR CONNECTOR
AND PCB LAYOUT DETAILS



TABLE 2: AVAILABLE VARIANTS

ASSEMBLY PART No.	DIM 'A'	DIM 'B'	DIM 'C'	DIM 'D'	No. OF SIGNAL CONTACTS	No. OF POWER CONTACTS
G125-FVI04FI-02AB000P	44.00	40.40	20.20	19.5	04	02
G125-FVI08FI-03AB000P				25.7	08	03
G125-FVI04FI-04AB000P				27.0	04	04
G125-FVI24FI-02AB000P	56.00	52.40	26.20	32.0	24	02
G125-FVII6FI-04AB000P				34.5	16	04
G125-FVI08FI-06AB000P				37.0	08	06

RTP	1	25.10.22	31971
NAME	ISS.	DATE	CN/CO
APPROVED: M.RUDKIN			
CHECKED: S.BENNETT			
DRAWN: R.PORTLOCK			
CUSTOMER REF.:			
ASSEMBLY DRG:			

NOTES:

- COMPONENTS ARE ORIENTED IN TAPE POCKETS AS SHOWN.
- COMPONENTS ARE SUPPLIED IN STRIPS OF TAPE, SUPPLIED QUANTITY MAY CONSIST OF MORE THAN ONE STRIP, STRIP LENGTH MAY VARY.

HARWIN

www.harwin.com
technical@harwin.com

THIS DRAWING AND ANY INFORMATION OR DESCRIPTIVE MATTER SET OUT HEREON ARE CONFIDENTIAL AND COPYRIGHT PROPERTY OF THE HARWIN GROUP AND MUST NOT BE DISCLOSED, LOANED, COPIED OR USED FOR MANUFACTURING, TENDERING OR FOR ANY OTHER PURPOSE WITHOUT THEIR WRITTEN PERMISSION.

TOLERANCES

X. = ±1mm
X.X = ±0.50mm
X.XX = ±0.20mm
X.XXX = ±0.01mm
ANGLES = ±5°
UNLESS STATED

MATERIAL:

SEE SHEET 3

FINISH: SEE SHEET 3

S/AREA:

mm²

TITLE:

GECKO-MT FEMALE
VERTICAL PC TAIL CONNECTOR

DRAWING NUMBER:

G125-FVIXXF1-XXAB000P

SHT

4 OF 4