

# Customer Information Sheet

DRAWING No.: G125-FVXXX05L0P

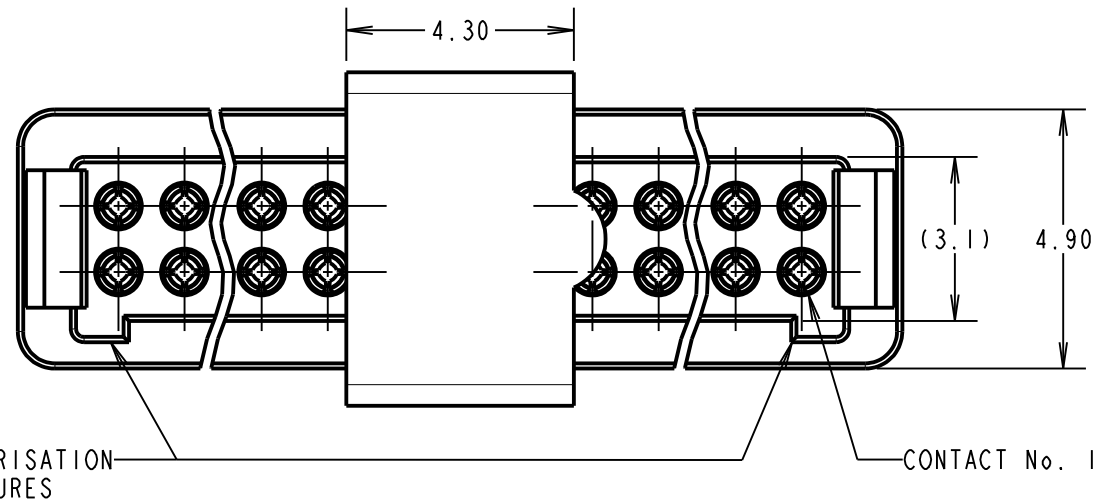
IF IN DOUBT - ASK

©

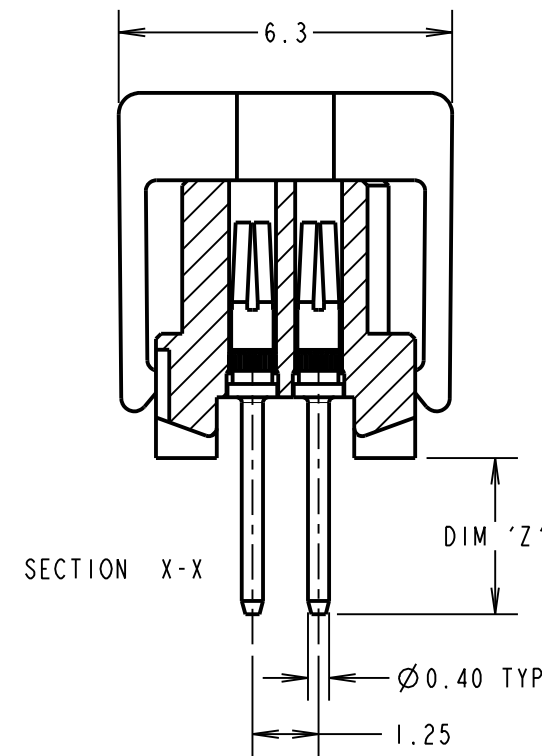
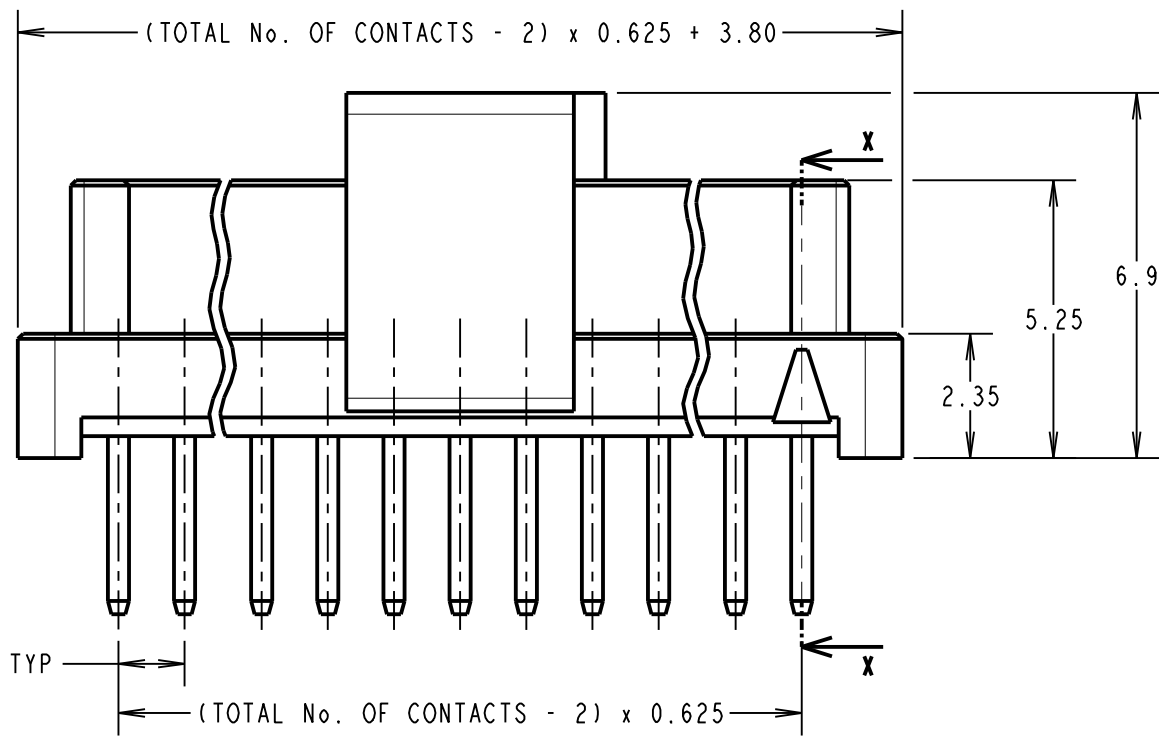
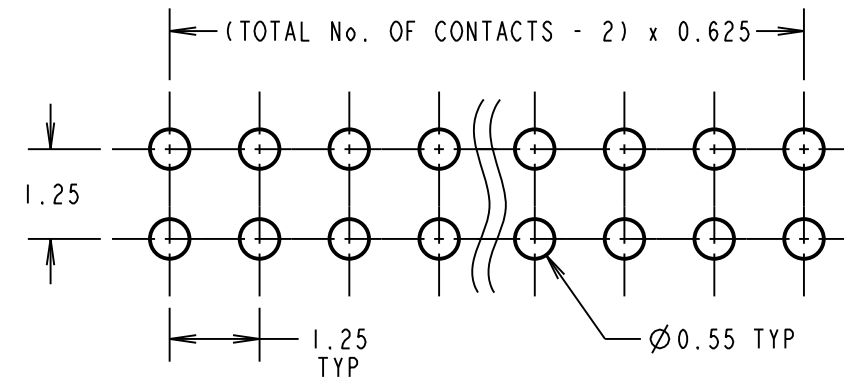
NOT TO SCALE

THIRD ANGLE PROJECTION

ALL DIMENSIONS IN mm



RECOMMENDED PCB LAYOUT  
TOLERANCE = ±0.05mm



ORDER CODE: **G125-FVXXX05L0P**

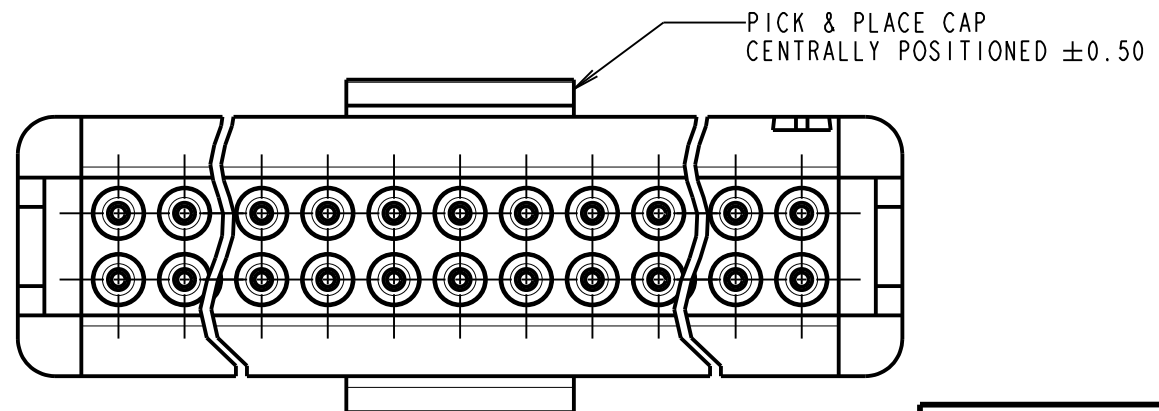
CONTACT STYLE: \_\_\_\_\_

3.00mm PC-TAIL = V1  
4.50mm PC-TAIL = V2

TOTAL No. OF CONTACTS: \_\_\_\_\_

06, 10, 12, 16, 20, 26, 34, 50

| CONTACT STYLE | DIM 'Z' |
|---------------|---------|
| V1            | 3.00    |
| V2            | 4.50    |



CONNECTOR DETAILS AND PCB LAYOUT ONLY.  
SEE SHEET 5 FOR TAPE AND STRIP DETAILS.

NOTES:  
1. FOR COMPLETE SPECIFICATION, SEE COMPONENT SPECIFICATION C125XX (LATEST ISSUE).

|                |      |            |       |
|----------------|------|------------|-------|
| MR             | 4    | 27.06.22   | 31567 |
| NAME           | ISS. | DATE       | CN/CO |
| APPROVED:      |      | M.RUDKIN   |       |
| CHECKED:       |      | R.PORTLOCK |       |
| DRAWN:         |      | S.FLOWER   |       |
| CUSTOMER REF.: |      |            |       |
| ASSEMBLY DRG:  |      |            |       |

**HARWIN**

www.harwin.com  
technical@harwin.com

THIS DRAWING AND ANY INFORMATION OR DESCRIPTIVE MATTER SET OUT HEREON ARE CONFIDENTIAL AND COPYRIGHT PROPERTY OF THE HARWIN GROUP AND MUST NOT BE DISCLOSED, LOANED, COPIED OR USED FOR MANUFACTURING, TENDERING OR FOR ANY OTHER PURPOSE WITHOUT THEIR WRITTEN PERMISSION.

TOLERANCES  
X. = ±1mm  
X.X = ±0.50mm  
X.XX = ±0.20mm  
X.XXX = ±0.01mm  
ANGLES = ±5°  
UNLESS STATED

MATERIAL: SEE ABOVE  
FINISH: SEE ABOVE  
S/AREA: mm<sup>2</sup>

TITLE: 1.25mm GECKO FEMALE VERTICAL THROUGH BOARD CONNECTORS  
DRAWING NUMBER: **G125-FVXXX05L0P**

# Customer Information Sheet

DRAWING No.: G125-FVXXX05L0P

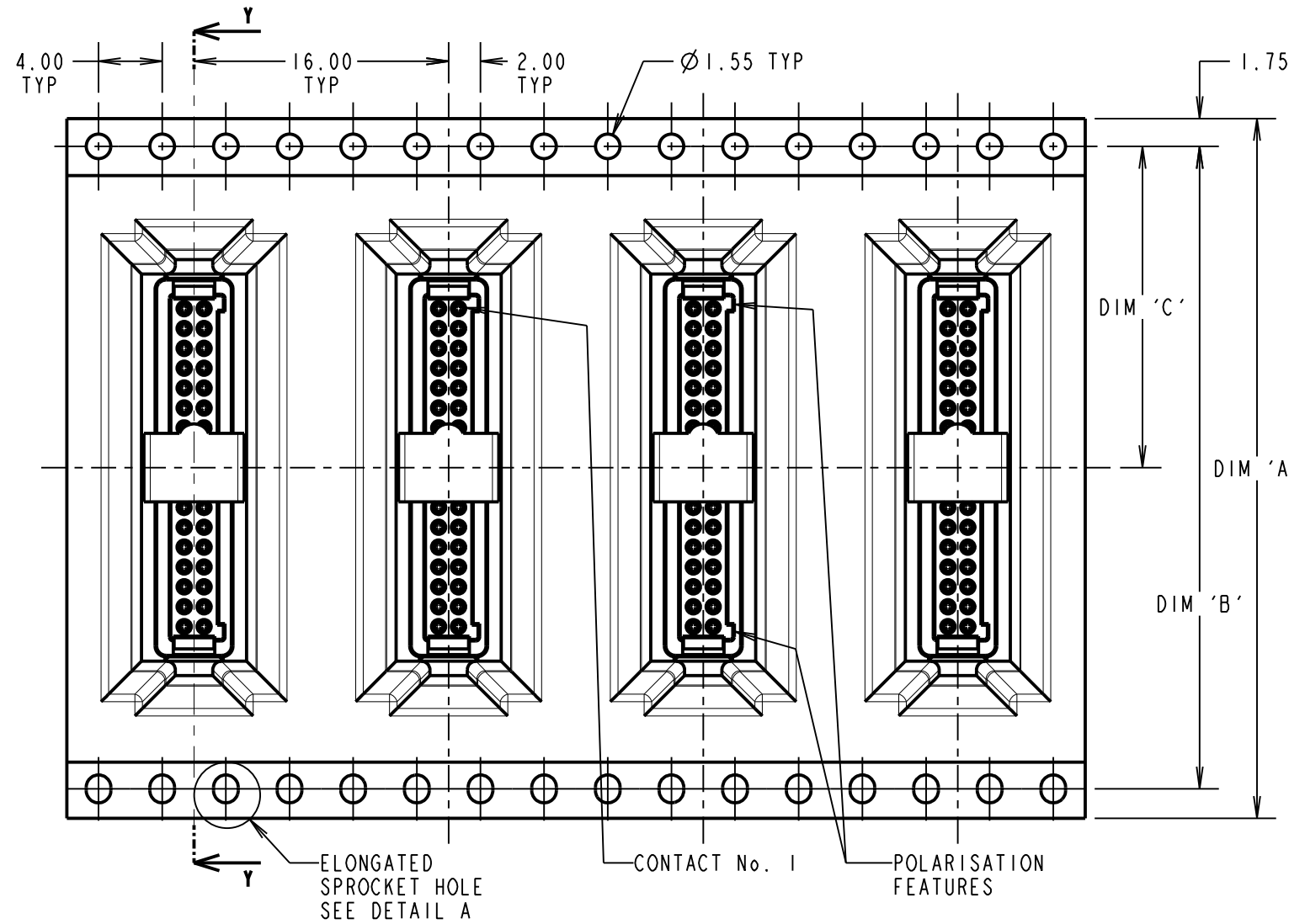
IF IN DOUBT - ASK

©

NOT TO SCALE

THIRD ANGLE PROJECTION

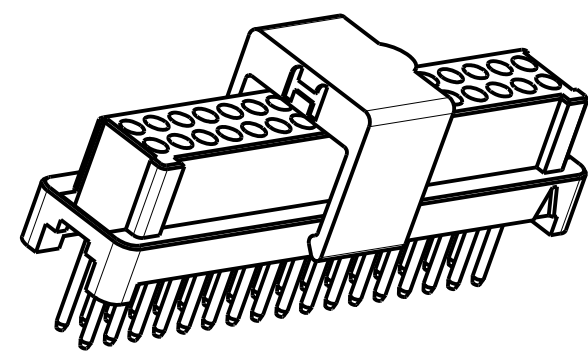
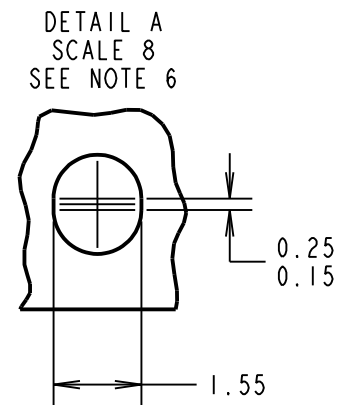
ALL DIMENSIONS IN mm



ORDER CODE: **G125-FVXXX05L0P**

CONTACT STYLE: \_\_\_\_\_  
 3.00mm PC-TAIL = V1  
 4.50mm PC-TAIL = V2

TOTAL No. OF CONTACTS: \_\_\_\_\_  
 06, 10, 12, 16, 20, 26, 34, 50



| PART No.        | DIM 'A'  | DIM 'B'                 | DIM 'C'   | DIM 'D' | DIM 'E' |
|-----------------|----------|-------------------------|-----------|---------|---------|
| G125-FVX0605L0P | 24.0±0.3 | NO<br>ELONGATED<br>HOLE | 11.50     | (8.7)   | (5.5)   |
| G125-FVX1005L0P |          |                         |           | (11.2)  | (8.0)   |
| G125-FVX1205L0P | 32.0±0.3 | 28.40                   | 14.20     | (12.4)  | (9.2)   |
| G125-FVX1605L0P |          |                         |           | (14.9)  | (11.7)  |
| G125-FVX2005L0P | 44.0±0.3 | 40.40                   | 20.2±0.15 | (17.4)  | (14.2)  |
| G125-FVX2605L0P |          |                         |           | (21.2)  | (18.0)  |
| G125-FVX3405L0P |          |                         |           | (26.2)  | (23.0)  |
| G125-FVX5005L0P | 56.0±0.3 | 52.40                   | 26.2±0.15 | (36.2)  | (33.0)  |

|                |      |            |       |
|----------------|------|------------|-------|
| MR             | 4    | 27.06.22   | 31567 |
| NAME           | ISS. | DATE       | CN/CO |
| APPROVED:      |      | M.RUDKIN   |       |
| CHECKED:       |      | R.PORTLOCK |       |
| DRAWN:         |      | S.FLOWER   |       |
| CUSTOMER REF.: |      |            |       |
| ASSEMBLY DRG:  |      |            |       |

- NOTES:
- COMPONENTS ARE ORIENTATED IN TAPE POCKETS AS SHOWN.
  - COMPONENTS ARE SUPPLIED IN STRIPS OF TAPE. SUPPLIED QUANTITY MAY CONSIST OF MORE THAN ONE STRIP. STRIP LENGTH MAY VARY.
  - LARGE QTY'S MAY BE SHIPPED ON A REEL AND MAY NOT HAVE A LEADER.
  - FOR PARTS ON REEL SUITABLE FOR AUTOMATIC MACHINE PLACEMENT PLEASE ORDER: G125-FVXXX05L0R.

|  |  |   |  |   |
|--|--|---|--|---|
| <p>www.harwin.com<br/>technical@harwin.com</p> | <p>THIS DRAWING AND ANY INFORMATION OR DESCRIPTIVE MATTER SET OUT HEREON ARE CONFIDENTIAL AND COPYRIGHT PROPERTY OF THE HARWIN GROUP AND MUST NOT BE DISCLOSED, LOANED, COPIED OR USED FOR MANUFACTURING, TENDERING OR FOR ANY OTHER PURPOSE WITHOUT THEIR WRITTEN PERMISSION.</p> | <p>TOLERANCES</p> <p>X. = ±1mm<br/>                 X.X = ±0.50mm<br/>                 X.XX = ±0.20mm<br/>                 X.XXX = ±0.01mm</p> <p>ANGLES = ±5°<br/>                 UNLESS STATED</p> | <p>MATERIAL:</p> <p>SEE ABOVE</p>                    | <p>TITLE: 1.25mm GECKO FEMALE VERTICAL THROUGH BOARD CONNECTORS</p> |
|  |  | <p>FINISH: SEE ABOVE</p> <p>S/AREA: mm<sup>2</sup></p>  | <p>DRAWING NUMBER:</p> <p><b>G125-FVXXX05L0P</b></p> | <p>SHT 6 OF 6</p>   |