

# Customer Information Sheet

DRAWING No.: G125-FVXXX05L0R

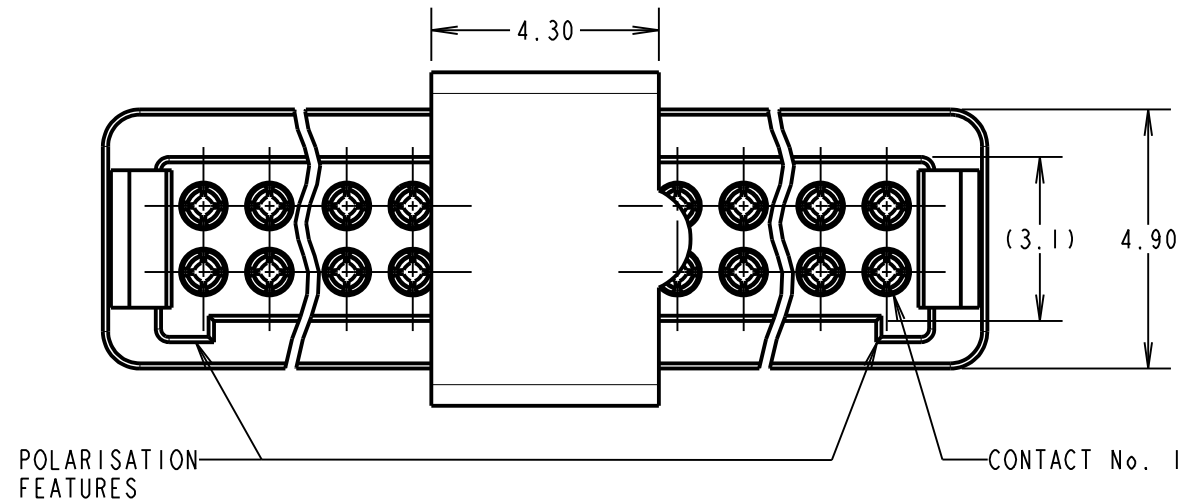
IF IN DOUBT - ASK

©

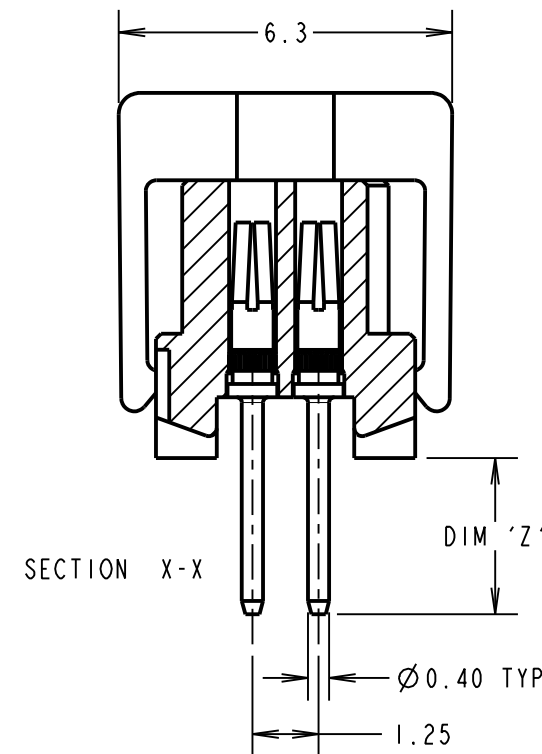
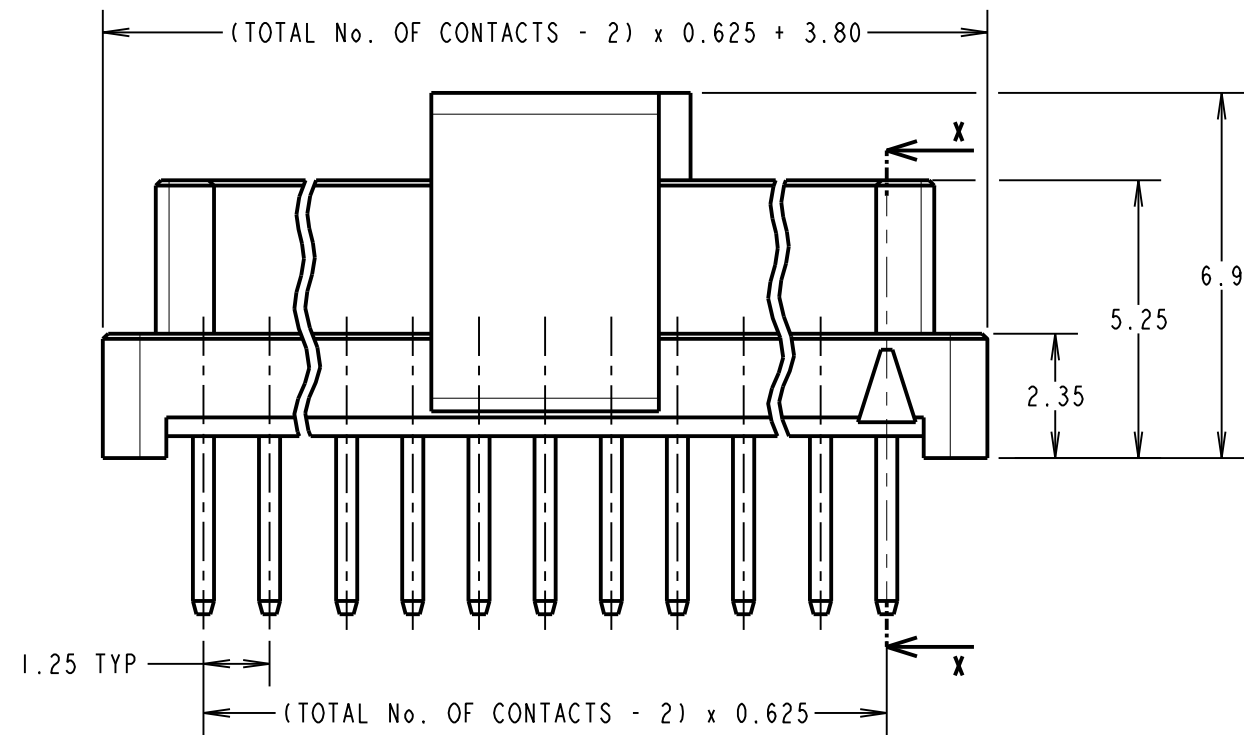
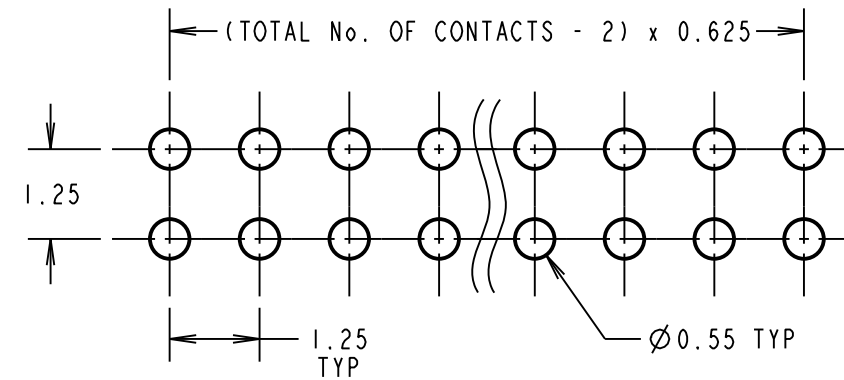
NOT TO SCALE

THIRD ANGLE PROJECTION

ALL DIMENSIONS IN mm



RECOMMENDED PCB LAYOUT  
TOLERANCE = ±0.05mm



ORDER CODE: **G125-FVXXX05L0R**

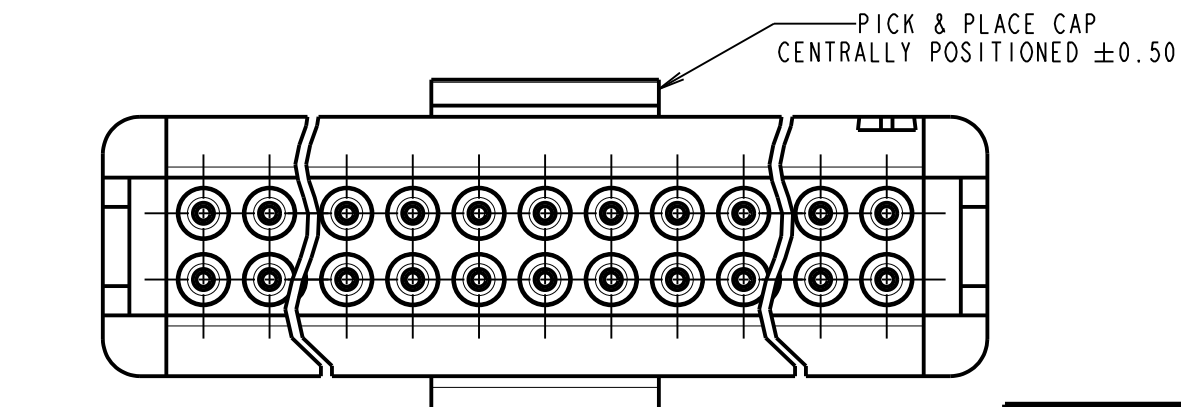
CONTACT STYLE: \_\_\_\_\_

3.00mm PC-TAIL = V1  
4.50mm PC-TAIL = V2

TOTAL No. OF CONTACTS: \_\_\_\_\_

06, 10, 12, 16, 20, 26, 34, 50

CONTACT STYLE	DIM 'Z'
V1	3.00
V2	4.50



CONNECTOR DETAILS AND PCB LAYOUT ONLY.  
SEE SHEET 6 FOR TAPE AND REEL DETAILS.

NOTES:  
1. FOR COMPLETE SPECIFICATION, SEE COMPONENT SPECIFICATION C125XX (LATEST ISSUE).

MR	5	27.06.22	31567
NAME	ISS.	DATE	CN/CO
APPROVED:		M.RUDKIN	
CHECKED:		R.PORTLOCK	
DRAWN:		S.FLOWER	
CUSTOMER REF.:			
ASSEMBLY DRG:			

**HARWIN**

www.harwin.com  
technical@harwin.com

THIS DRAWING AND ANY INFORMATION OR DESCRIPTIVE MATTER SET OUT HEREON ARE CONFIDENTIAL AND COPYRIGHT PROPERTY OF THE HARWIN GROUP AND MUST NOT BE DISCLOSED, LOANED, COPIED OR USED FOR MANUFACTURING, TENDERING OR FOR ANY OTHER PURPOSE WITHOUT THEIR WRITTEN PERMISSION.

TOLERANCES  
X. = ±1mm  
X.X = ±0.50mm  
X.XX = ±0.20mm  
X.XXX = ±0.01mm  
ANGLES = ±5°  
UNLESS STATED

MATERIAL:  
SEE ABOVE  
FINISH: SEE ABOVE  
S/AREA: mm<sup>2</sup>

TITLE: 1.25mm GECKO FEMALE  
VERTICAL THROUGH BOARD  
CONNECTORS IN TAPE AND REEL

DRAWING NUMBER:  
**G125-FVXXX05L0R**  
SHT 5 OF 6

# Customer Information Sheet

DRAWING No.: G125-FVXXX05LOR

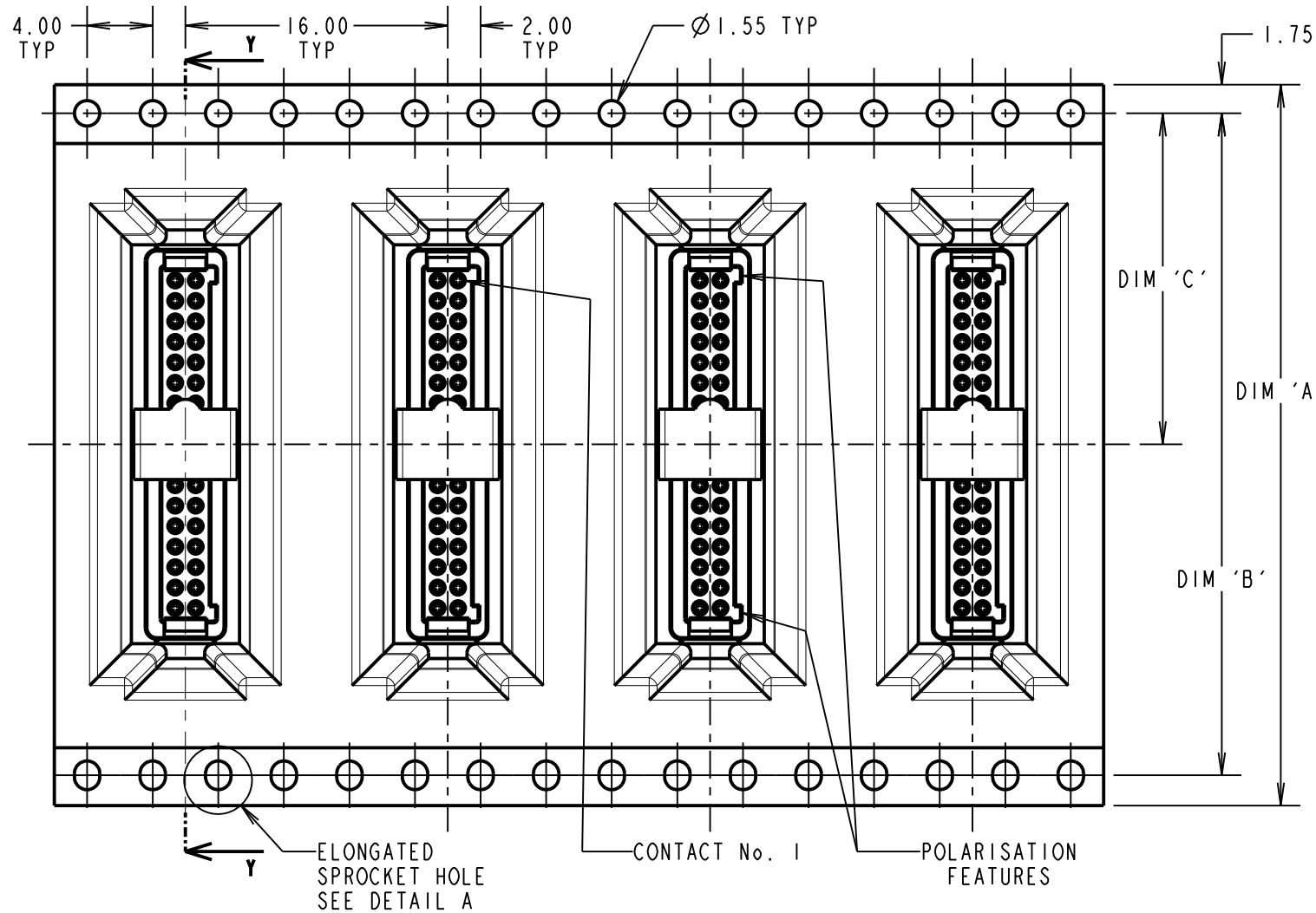
IF IN DOUBT - ASK

©

NOT TO SCALE

THIRD ANGLE PROJECTION

ALL DIMENSIONS IN mm

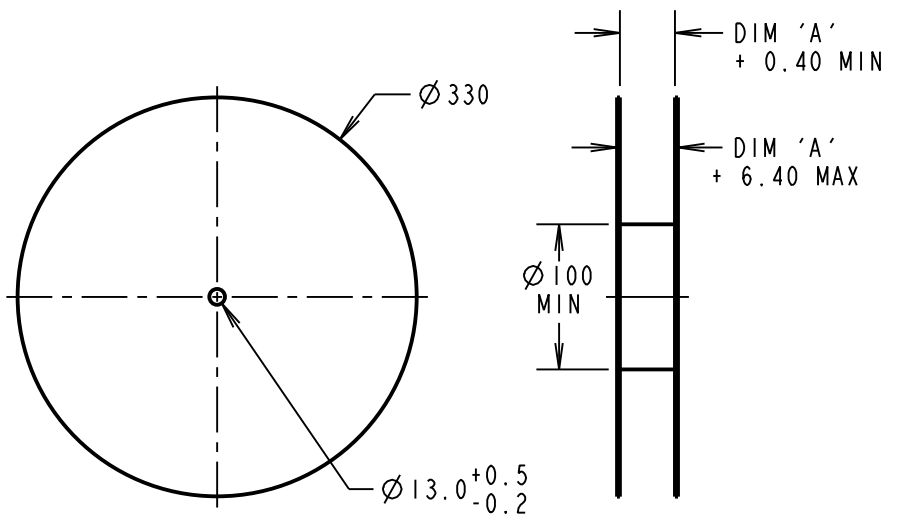
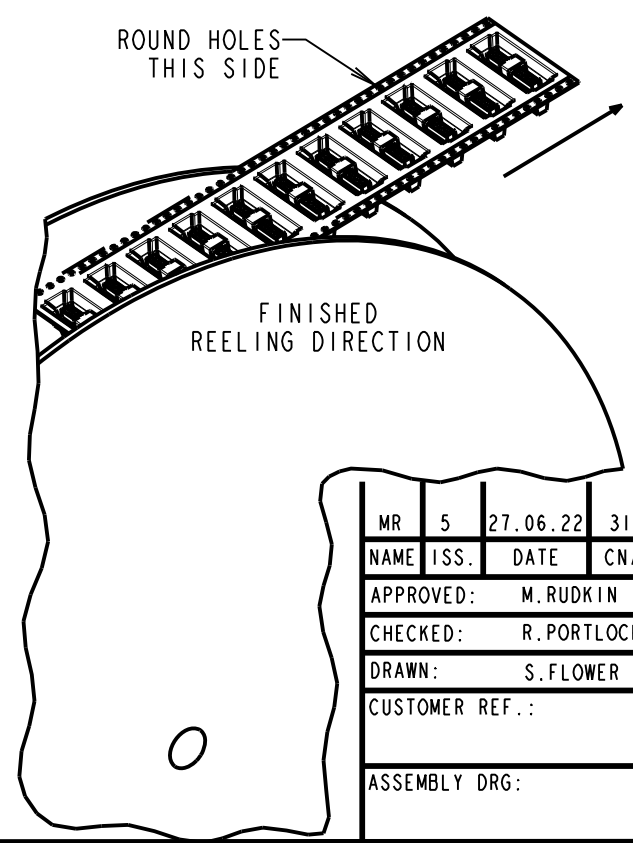
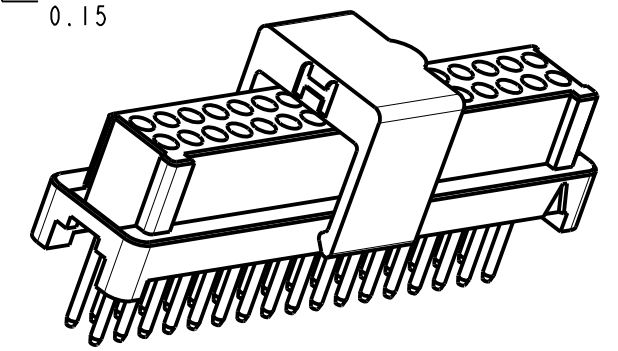
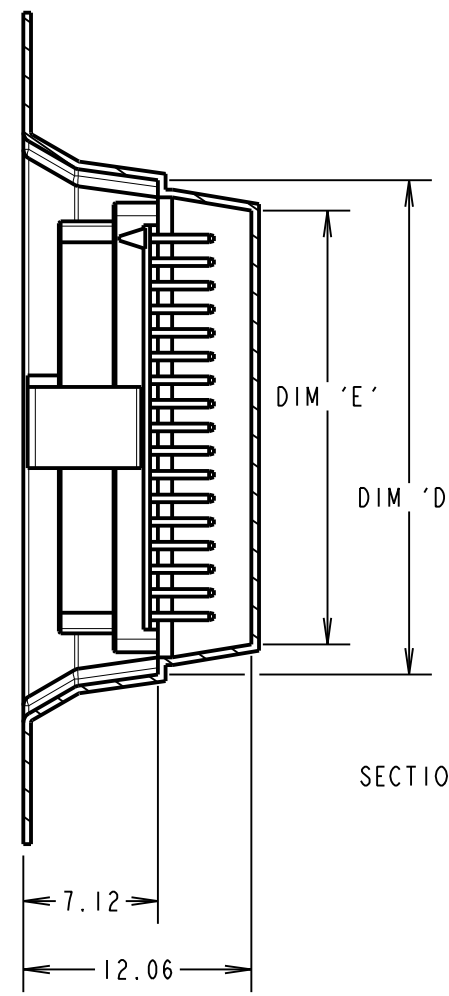
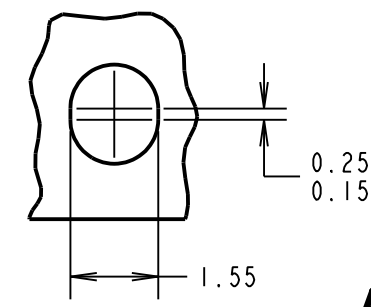


ORDER CODE: **G125-FVXXX05LOR**

CONTACT STYLE:  
 3.00mm PC-TAIL = V1  
 4.50mm PC-TAIL = V2

TOTAL No. OF CONTACTS:  
 06, 10, 12, 16, 20, 26, 34, 50

DETAIL A  
 SCALE 8  
 SEE NOTE 6



PART No.	DIM 'A'	DIM 'B'	DIM 'C'	DIM 'D'	DIM 'E'
G125-FVX0605LOR	24.0±0.3	NO ELONGATED HOLE	11.50	(8.7)	(5.5)
G125-FVX1005LOR				(11.2)	(8.0)
G125-FVX1205LOR	32.0±0.3	28.40	14.20	(12.4)	(9.2)
G125-FVX1605LOR				(14.9)	(11.7)
G125-FVX2005LOR	44.0±0.3	40.40	20.2±0.15	(17.4)	(14.2)
G125-FVX2605LOR				(21.2)	(18.0)
G125-FVX3405LOR	56.0±0.3	52.40	26.2±0.15	(26.2)	(23.0)
G125-FVX5005LOR				(36.2)	(33.0)

- NOTES:
1. QUANTITY OF COMPONENTS PER REEL = 250.
  2. SEE DRAWING G125-FSIXX05FIP FOR OTHER QUANTITIES.
  3. THIS PRODUCT IS TAPED AND REELED IN ACCORDANCE WITH EIA-481-2-A (ELECTRONIC INDUSTRIES ASSOCIATION).
  4. FOR COMPLETE SPECIFICATION, SEE COMPONENT SPECIFICATION C125XX (LATEST ISSUE).
  5. COMPONENTS ARE ORIENTATED IN TAPE POCKETS SO THAT THE POLARISING FEATURES ARE FACING TOWARDS THE FREE END.
  6. ELONGATED SPROCKET HOLE NOT PRESENT ON 06 & 10 POSITIONS.

**HARWIN**

www.harwin.com  
 technical@harwin.com

THIS DRAWING AND ANY INFORMATION OR DESCRIPTIVE MATTER SET OUT HEREON ARE CONFIDENTIAL AND COPYRIGHT PROPERTY OF THE HARWIN GROUP AND MUST NOT BE DISCLOSED, LOANED, COPIED OR USED FOR MANUFACTURING, TENDERING OR FOR ANY OTHER PURPOSE WITHOUT THEIR WRITTEN PERMISSION.

TOLERANCES

X. = ±1mm  
 X.X = ±0.50mm  
 X.XX = ±0.20mm  
 X.XXX = ±0.01mm  
 ANGLES = ±5°  
 UNLESS STATED

MATERIAL:

SEE ABOVE

FINISH:

SEE ABOVE

S/AREA:

mm<sup>2</sup>

TITLE: 1.25mm GECKO FEMALE VERTICAL THROUGH BOARD CONNECTORS IN TAPE AND REEL

DRAWING NUMBER:

**G125-FVXXX05LOR**

MR	5	27.06.22	31567
NAME	ISS.	DATE	CN/CO
APPROVED:		M.RUDKIN	
CHECKED:		R.PORTLOCK	
DRAWN:		S.FLOWER	
CUSTOMER REF.:			
ASSEMBLY DRG:			