

Customer Information Sheet

DRAWING No.: G125-MHXXX05L5R

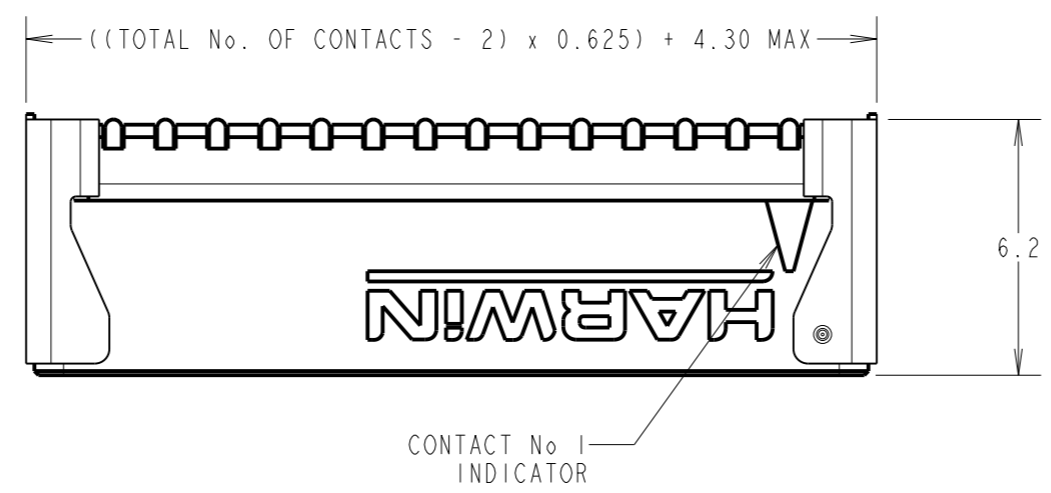
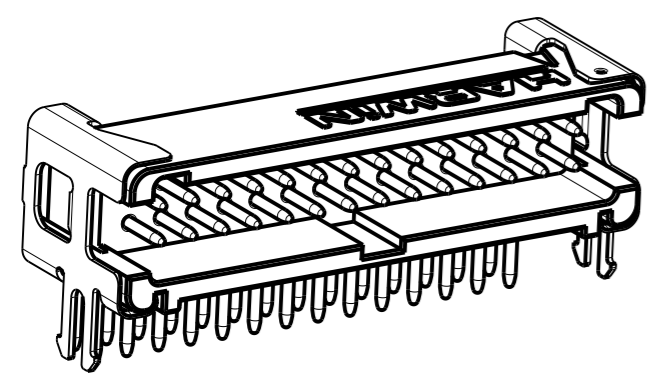
IF IN DOUBT - ASK

©

NOT TO SCALE

THIRD ANGLE PROJECTION

ALL DIMENSIONS IN mm



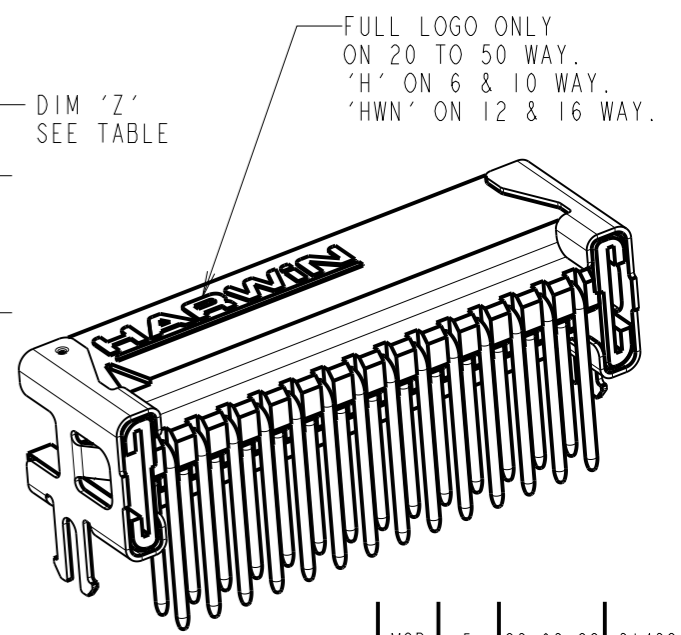
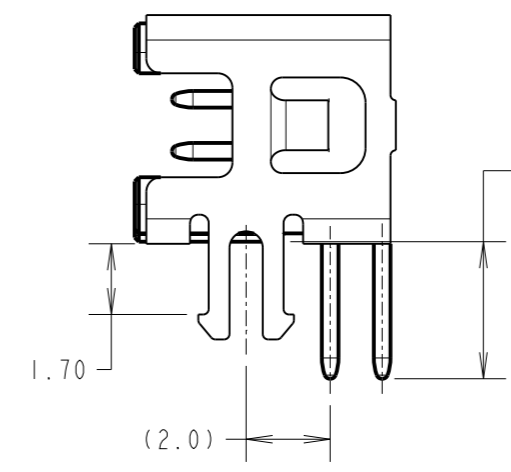
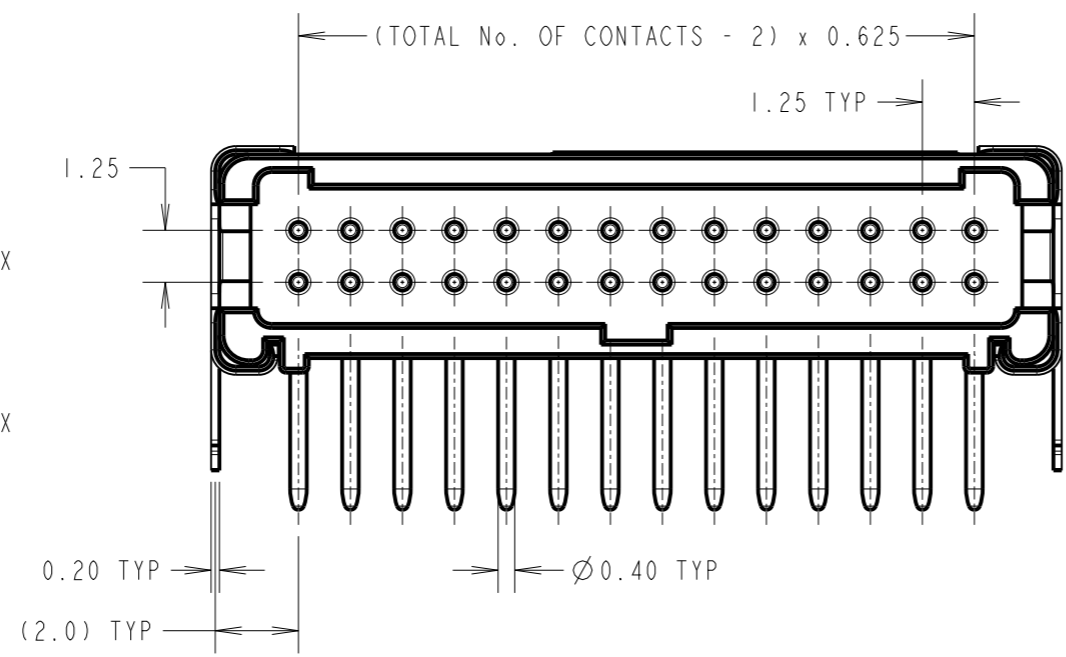
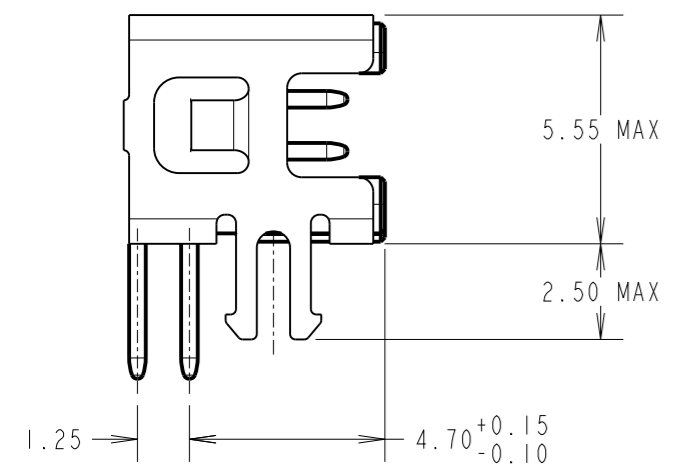
ORDER CODE:
G125-MHXXX05L5R

3.2mm PC-TAILS = H1
 4.7mm PC-TAILS = H2

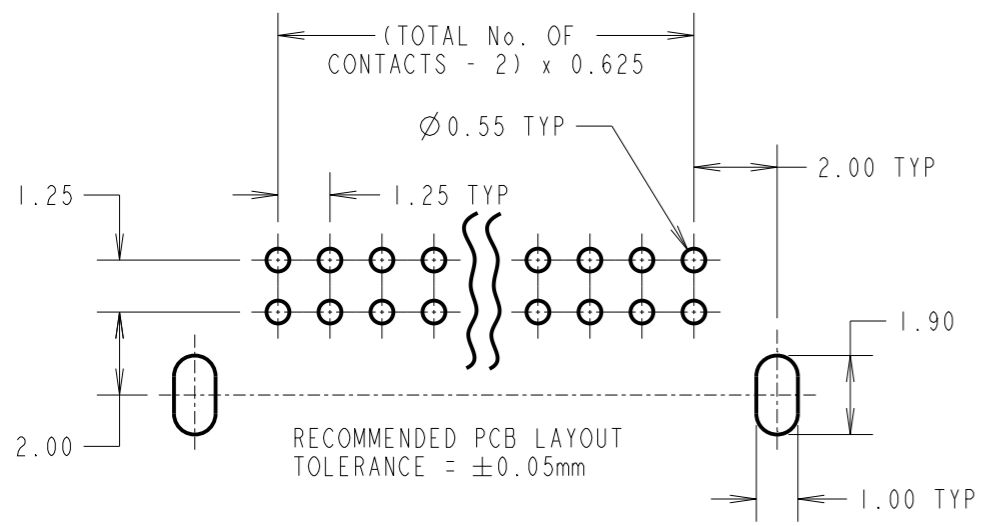
TOTAL No. OF CONTACTS
 06, 10, 12, 16, 20,
 26, 34, 50.

LATCHES:
 1.7mm PCB HOLD DOWN = L5

CONTACT STYLE	DIM 'Z'
H1	3.2±0.15
H2	4.7±0.15



**CONNECTOR DETAILS AND PCB LAYOUT ONLY.
 SEE SHEET 6 FOR TAPE AND REEL DETAILS.**



NOTES:
 1. FOR COMPLETE SPECIFICATION, SEE COMPONENT SPECIFICATION C125XX (LATEST ISSUE).
 SEE G125-SERIES CONNECTORS SPECIFICATION SHEET FOR MATERIALS, FINISH AND SPECIFICATION SUMMARY.

MGP	5	23.03.22	31438
NAME	ISS.	DATE	CN/CO
APPROVED: MGP			
CHECKED: MR			
DRAWN: MARK G PLESTED			
CUSTOMER REF.:			
ASSEMBLY DRG:			

 www.harwin.com technical@harwin.com	THIS DRAWING AND ANY INFORMATION OR DESCRIPTIVE MATTER SET OUT HEREON ARE CONFIDENTIAL AND COPYRIGHT PROPERTY OF THE HARWIN GROUP AND MUST NOT BE DISCLOSED, LOANED, COPIED OR USED FOR MANUFACTURING, TENDERING OR FOR ANY OTHER PURPOSE WITHOUT THEIR WRITTEN PERMISSION.	TOLERANCES	MATERIAL:	TITLE:
		X. = ±1mm X.X = ±0.50mm X.XX = ±0.20mm X.XXX = ±0.01mm ANGLES = ±5° UNLESS STATED	SEE NOTE 1	G125 MALE HORIZONTAL PC TAIL SERIES IN TAPE & REEL
		FINISH: SEE NOTE 1	S/AREA: mm ²	DRAWING NUMBER:
				G125-MHXXX05L5R
				SHT 5 OF 6

Customer Information Sheet

DRAWING No.: G125-MHXXX05L5R

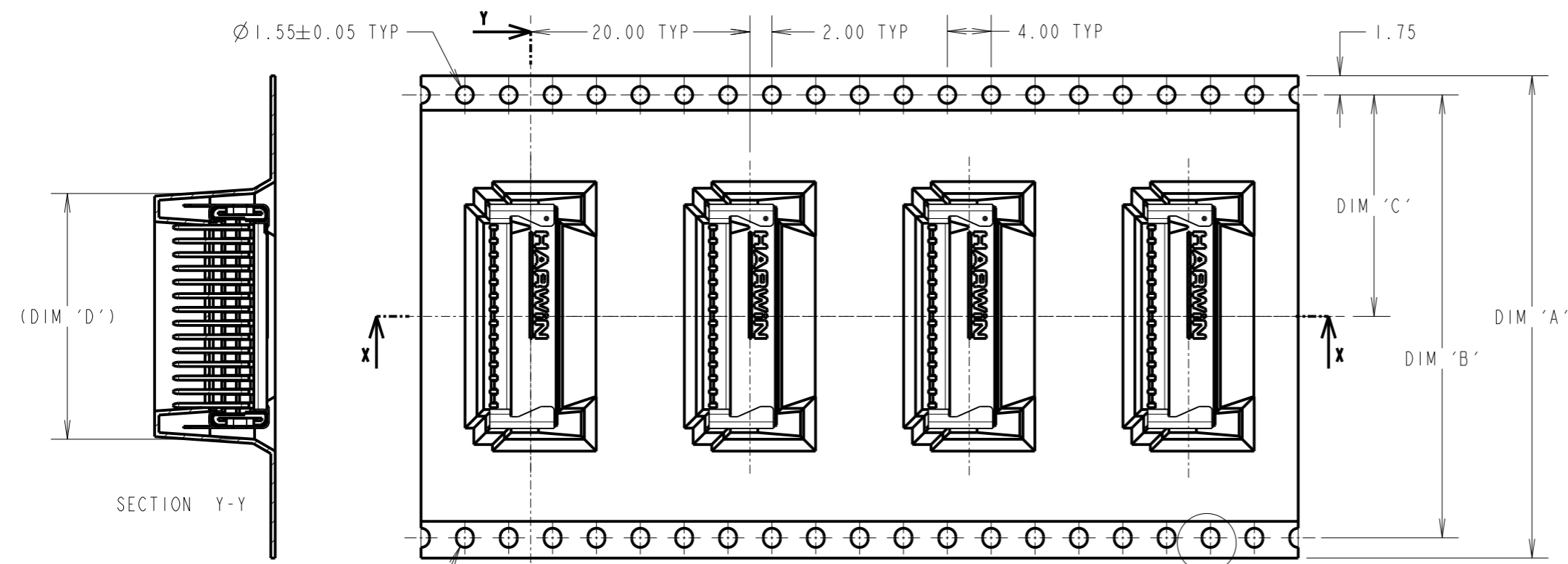
IF IN DOUBT - ASK

©

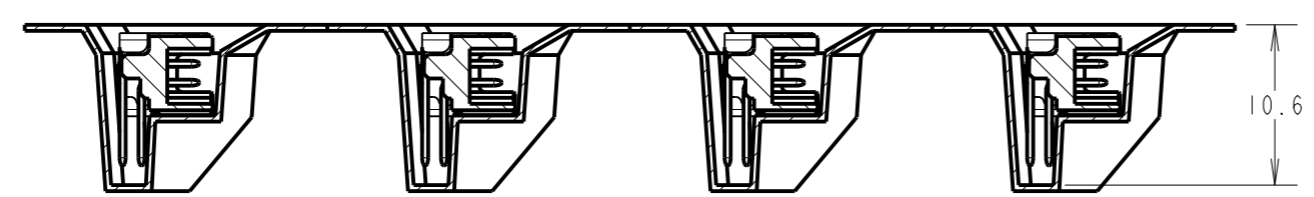
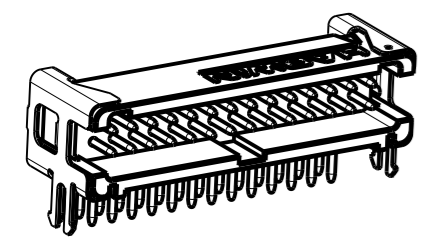
NOT TO SCALE

THIRD ANGLE PROJECTION

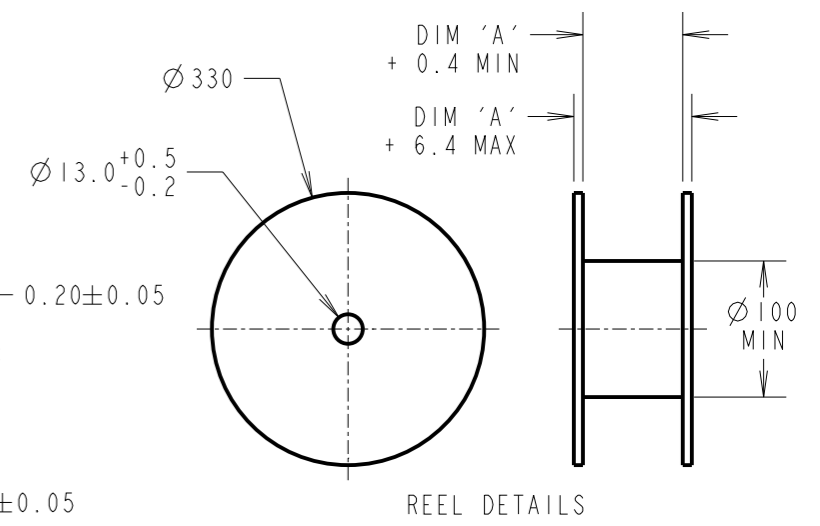
ALL DIMENSIONS IN mm



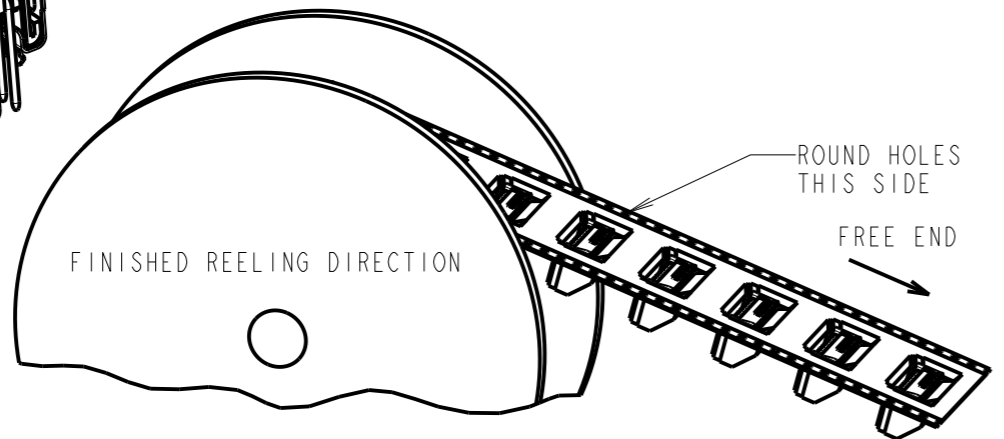
ORDER CODE:
G125-MHXXX05L5R
 3.2mm PC-TAILS = H1
 4.7mm PC-TAILS = H2
 TOTAL No. OF CONTACTS:
 06, 10, 12, 16, 20,
 26, 34, 50.
 LATCHES:
 1.7mm PCB HOLD DOWN = L5



SECTION X-X



REEL DETAILS



PART No.	DIM 'A'	DIM 'B'	DIM 'C'	DIM 'D'
G125-MHX0605L5R	24.0	NO ELONGATED HOLE	11.50	8.5
G125-MHX1005L5R	+0.3/-0.1			11.0
G125-MHX1205L5R	32.0±0.3	28.40	14.20	12.2
G125-MHX1605L5R				14.7
G125-MHX2005L5R				17.2
G125-MHX2605L5R	44.0±0.3	40.40	20.2±0.15	21.0
G125-MHX3405L5R				26.0
G125-MHX5005L5R	56.0±0.3	52.40	26.2±0.15	36.0

MGP	5	23.03.22	31438
NAME	ISS.	DATE	CN/CO
APPROVED: MGP			
CHECKED: MR			
DRAWN: MARK G PLESTED			
CUSTOMER REF.:			
ASSEMBLY DRG:			

- NOTES:
1. QUANTITY OF COMPONENTS PER REEL = 250.
 2. FOR OTHER QUANTITIES SEE G125-MHXXX05L5P.
 3. THIS PRODUCT IS TAPED AND REELED IN GENERAL ACCORDANCE WITH EIA-481-2-A (ELECTRONIC INDUSTRIES ASSOCIATION).
 4. FOR COMPLETE SPECIFICATION, SEE COMPONENT SPECIFICATION C125XX (LATEST ISSUE).
 5. ELONGATED SPROCKET HOLE NOT PRESENT ON 06 & 10 POSITIONS.
 6. SEE SHEET 5 FOR CONNECTOR DETAILS.

HARWIN
 www.harwin.com
 technical@harwin.com

THIS DRAWING AND ANY INFORMATION OR DESCRIPTIVE MATTER SET OUT HEREON ARE CONFIDENTIAL AND COPYRIGHT PROPERTY OF THE HARWIN GROUP AND MUST NOT BE DISCLOSED, LOANED, COPIED OR USED FOR MANUFACTURING, TENDERING OR FOR ANY OTHER PURPOSE WITHOUT THEIR WRITTEN PERMISSION.

TOLERANCES
 X. = ±1mm
 X.X = ±0.50mm
 X.XX = ±0.20mm
 X.XXX = ±0.01mm
 ANGLES = ±5°
 UNLESS STATED

MATERIAL:
 SEE SHEET 5
 FINISH: SEE SHEET 5
 S/AREA: mm²

TITLE:
 G125 MALE HORIZONTAL PC TAIL SERIES IN TAPE & REEL
 DRAWING NUMBER:
G125-MHXXX05L5R
 SHT 6 OF 6