

Customer Information Sheet

DRAWING No.: G125-MS1XX05LIP

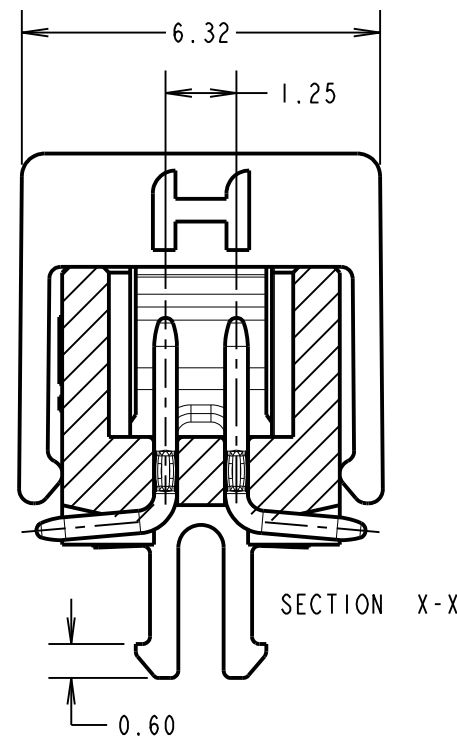
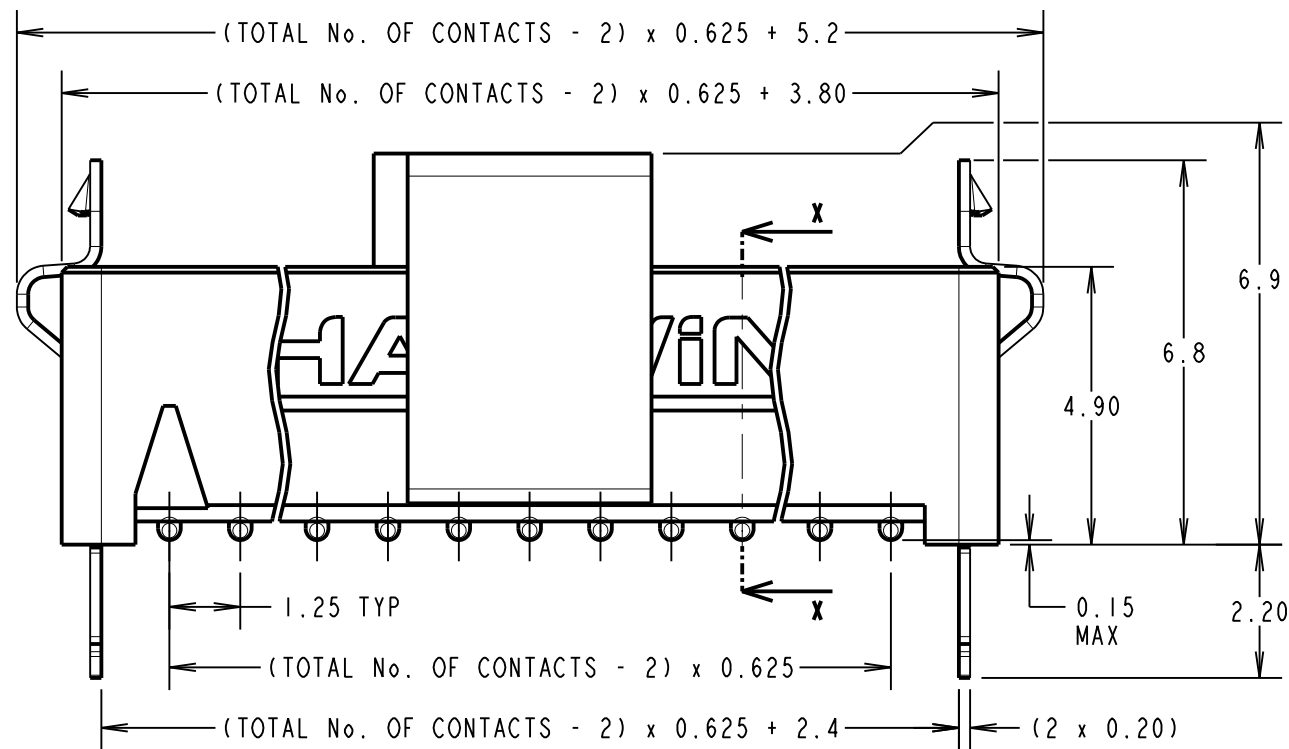
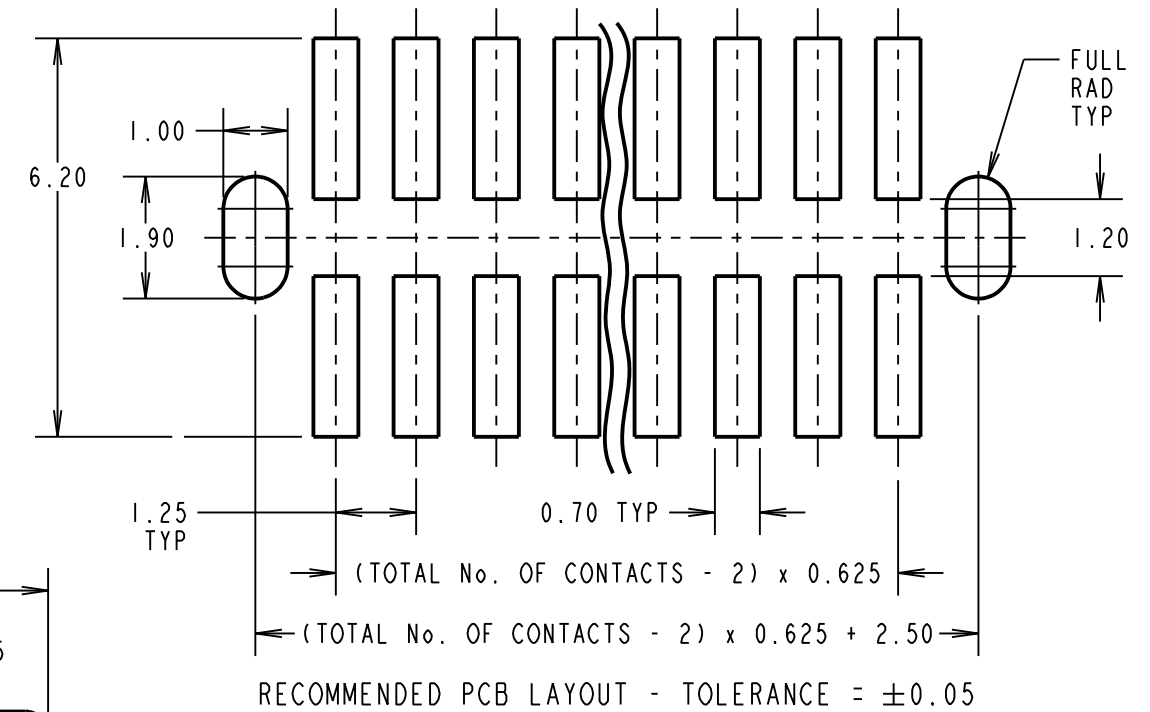
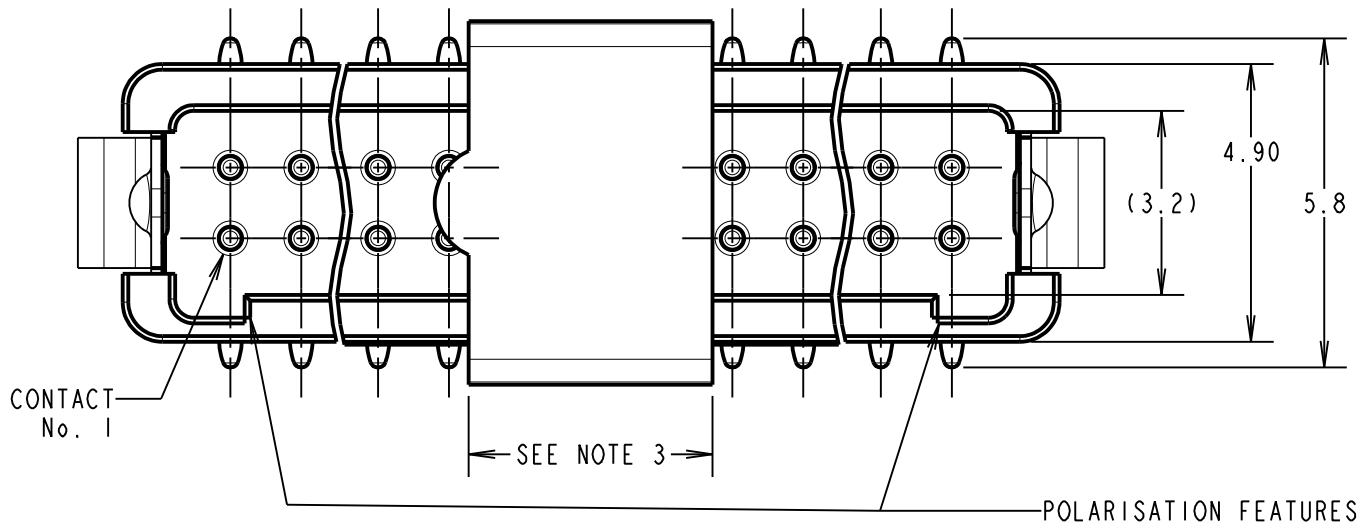
IF IN DOUBT - ASK

©

NOT TO SCALE

THIRD ANGLE PROJECTION

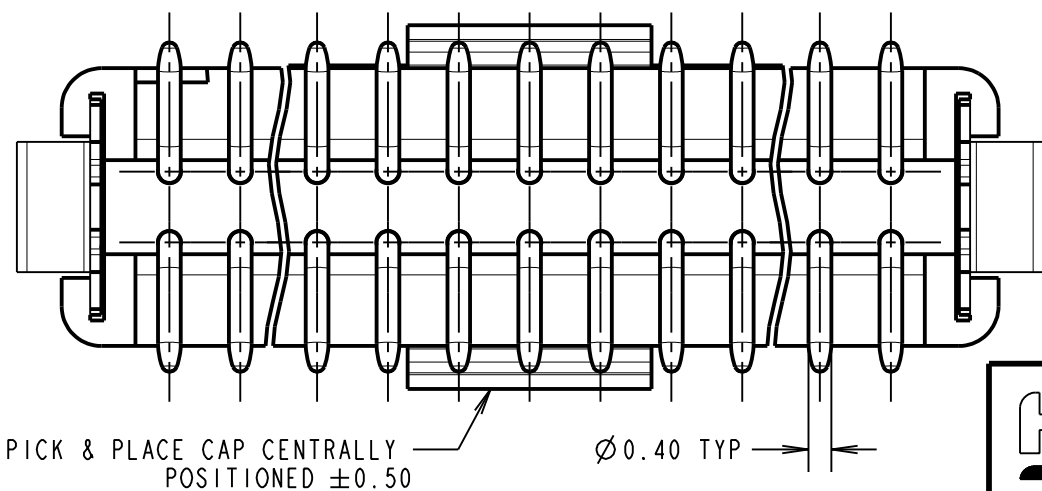
ALL DIMENSIONS IN mm



ORDER CODE: **G125-MS1XX05LIP**
 TOTAL No. OF CONTACTS: 06, 10, 12, 16, 20, 26, 34, 50

CONNECTOR DETAILS AND PCB LAYOUT ONLY.
 SEE SHEET 5 FOR TAPE STRIP DETAILS.

- NOTES:
- FOR COMPLETE SPECIFICATION, SEE COMPONENT SPECIFICATION C125XX (LATEST ISSUE).
 - CO-PLANARITY OF SMT TAILS NOT TO EXCEED 0.10mm. RECOMMENDED SOLDER PASTE THICKNESS = 0.125mm MIN.
 - PICK AND PLACE CAP LENGTH = 4.3mm ON ALL PART NUMBERS EXCEPT G125-MS10605LIP ON THIS PART LENGTH = 3.3mm.



MR	8	27.06.22	31567
NAME	ISS.	DATE	CN/CO
APPROVED:		M. RUDKIN	
CHECKED:		R. PORTLOCK	
DRAWN:		S. FLOWER	
CUSTOMER REF.:			
ASSEMBLY DRG:			

HARWIN
 www.harwin.com
 technical@harwin.com

THIS DRAWING AND ANY INFORMATION OR DESCRIPTIVE MATTER SET OUT HEREON ARE CONFIDENTIAL AND COPYRIGHT PROPERTY OF THE HARWIN GROUP AND MUST NOT BE DISCLOSED, LOANED, COPIED OR USED FOR MANUFACTURING, TENDERING OR FOR ANY OTHER PURPOSE WITHOUT THEIR WRITTEN PERMISSION.

TOLERANCES
 X. = ±1mm
 X.X = ±0.50mm
 X.XX = ±0.20mm
 X.XXX = ±0.01mm
 ANGLES = ±5°
 UNLESS STATED

MATERIAL:
 SEE SPECIFICATION SHEET
 FINISH: SEE SPECIFICATION SHEET
 S/AREA: mm²

TITLE:
 1.25mm GECKO MALE VERTICAL SMT CONNECTORS IN TAPE
 DRAWING NUMBER:
G125-MS1XX05LIP
 SHT 4 OF 5

Customer Information Sheet

DRAWING No.: G125-MS1XX05LIP

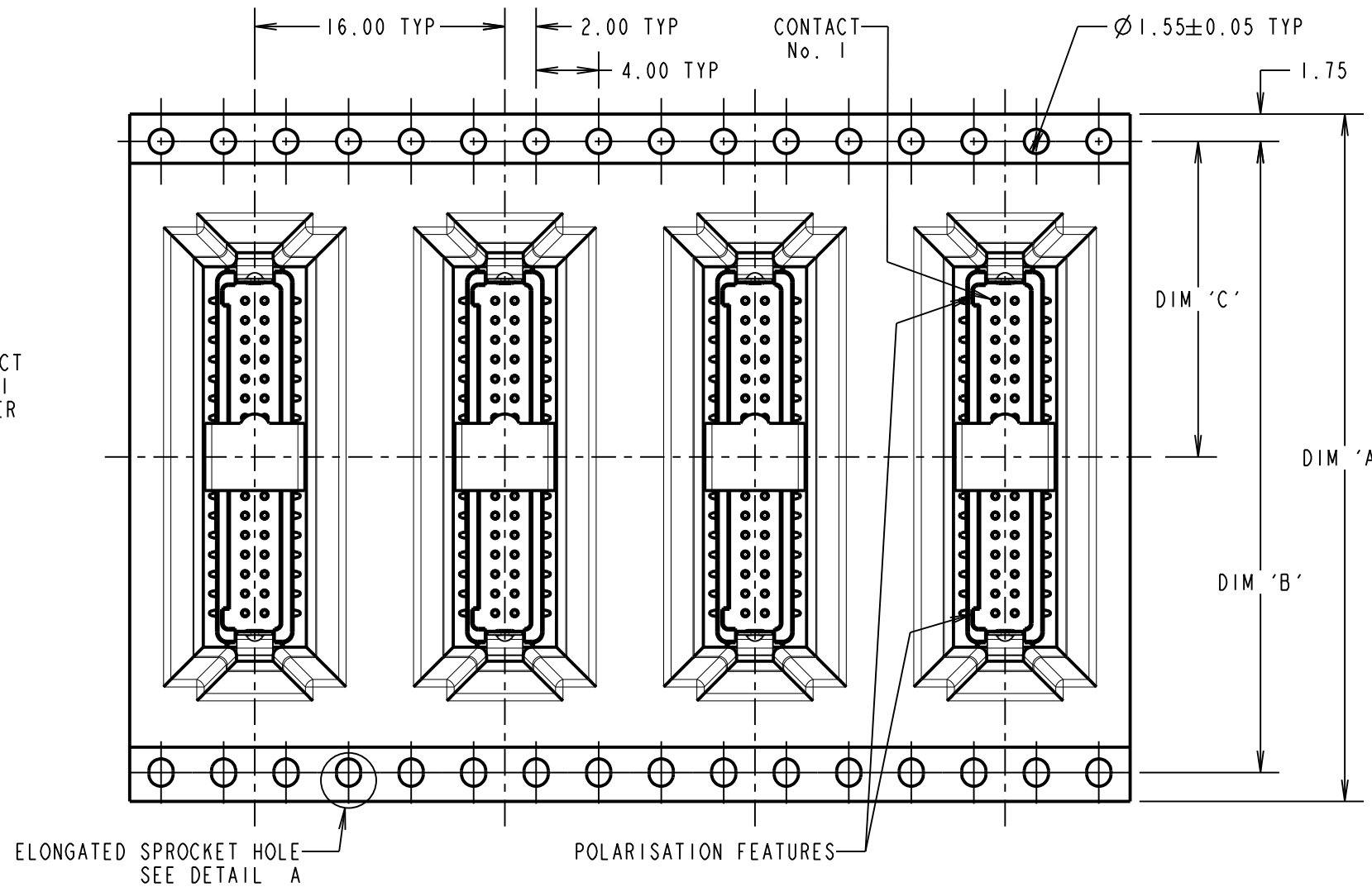
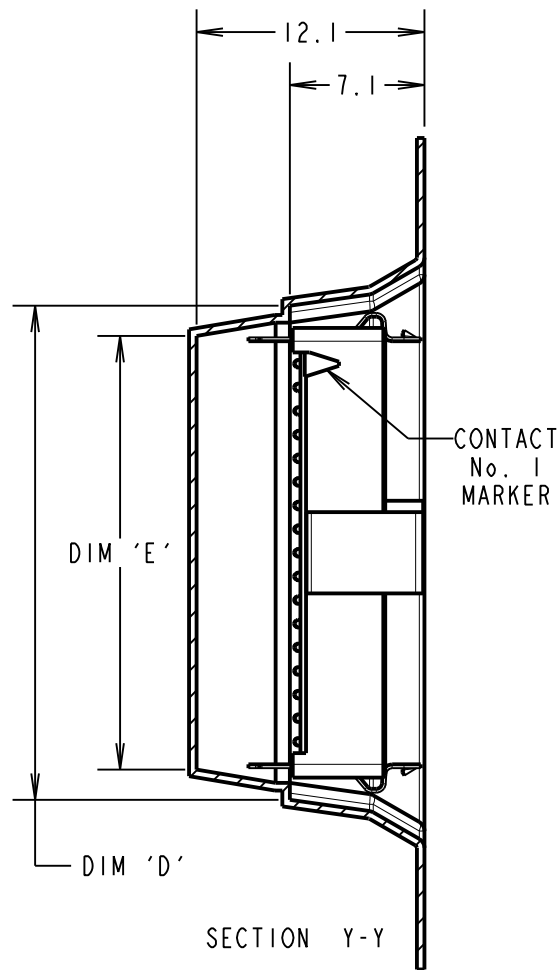
IF IN DOUBT - ASK

©

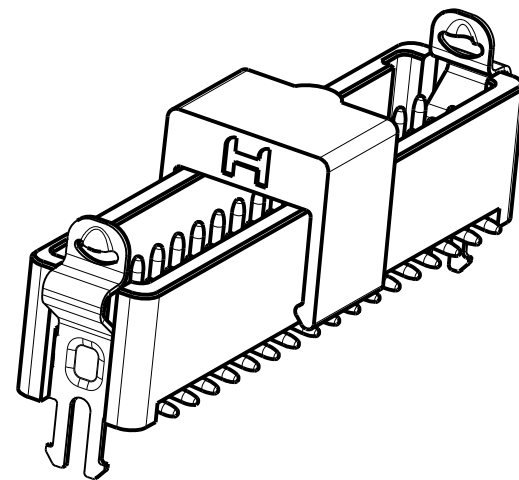
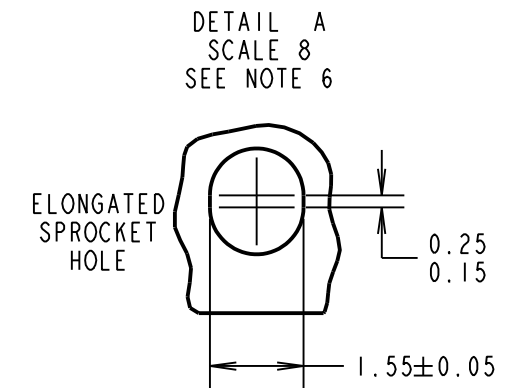
NOT TO SCALE

THIRD ANGLE PROJECTION

ALL DIMENSIONS IN mm



ORDER CODE: **G125-MS1XX05LIP**
 TOTAL No. OF CONTACTS: 06, 10, 12, 16, 20, 26, 34, 50



- NOTES:
- COMPONENTS ARE ORIENTED IN TAPE POCKETS AS SHOWN.
 - COMPONENTS ARE SUPPLIED IN STRIPS OF 10.
 - LARGE QUANTITIES MAY BE SHIPPED ON A REEL AND MAY NOT HAVE A LEADER.
 - FOR PARTS ON REEL SUITABLE FOR AUTOMATIC MACHINE PLACEMENT PLEASE ORDER: G125-MS1XX05LIR.
 - COMPONENTS ARE ORIENTATED IN TAPE POCKETS SO THAT THE POLARISING FEATURES ARE FACING AWAY FROM THE FREE END.
 - ELONGATED SPROCKET HOLE NOT PRESENT ON 06 & 10 POSITIONS.

PART No.	DIM 'A'	DIM 'B'	DIM 'C'	DIM 'D'	DIM 'E'
G125-MS10605LIP	24.0±0.3	NO ELONGATED HOLE	11.50	(8.7)	(5.5)
G125-MS11005LIP				(11.2)	(8.0)
G125-MS11205LIP	32.0±0.3	28.40	14.20	(12.4)	(9.2)
G125-MS11605LIP				(14.9)	(11.7)
G125-MS12005LIP	44.0±0.3	40.40	20.2±0.15	(17.4)	(14.2)
G125-MS12605LIP				(21.2)	(18.0)
G125-MS13405LIP				(26.2)	(23.0)
G125-MS15005LIP	56.0±0.3	52.40	26.2±0.15	(36.2)	(33.0)

MR	8	27.06.22	31567
NAME	ISS.	DATE	CN/CO
APPROVED:		M. RUDKIN	
CHECKED:		R. PORTLOCK	
DRAWN:		S. FLOWER	
CUSTOMER REF.:			
ASSEMBLY DRG:			

HARWIN

www.harwin.com
 technical@harwin.com

THIS DRAWING AND ANY INFORMATION OR DESCRIPTIVE MATTER SET OUT HEREON ARE CONFIDENTIAL AND COPYRIGHT PROPERTY OF THE HARWIN GROUP AND MUST NOT BE DISCLOSED, LOANED, COPIED OR USED FOR MANUFACTURING, TENDERING OR FOR ANY OTHER PURPOSE WITHOUT THEIR WRITTEN PERMISSION.

TOLERANCES

X. = ±1mm
 X.X = ±0.50mm
 X.XX = ±0.20mm
 X.XXX = ±0.01mm
 ANGLES = ±5°
 UNLESS STATED

MATERIAL:

SEE SPECIFICATION SHEET
 FINISH: SEE SPECIFICATION SHEET
 S/AREA: mm²

TITLE:

1.25mm GECKO MALE VERTICAL SMT CONNECTORS IN TAPE

DRAWING NUMBER:

G125-MS1XX05LIP

SHT 5 OF 5