

# Customer Information Sheet

DRAWING No.: M22-634XX42R

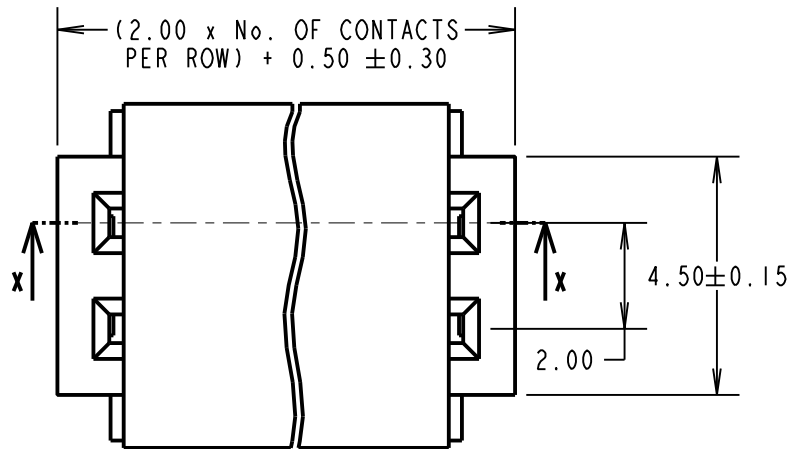
IF IN DOUBT - ASK



NOT TO SCALE

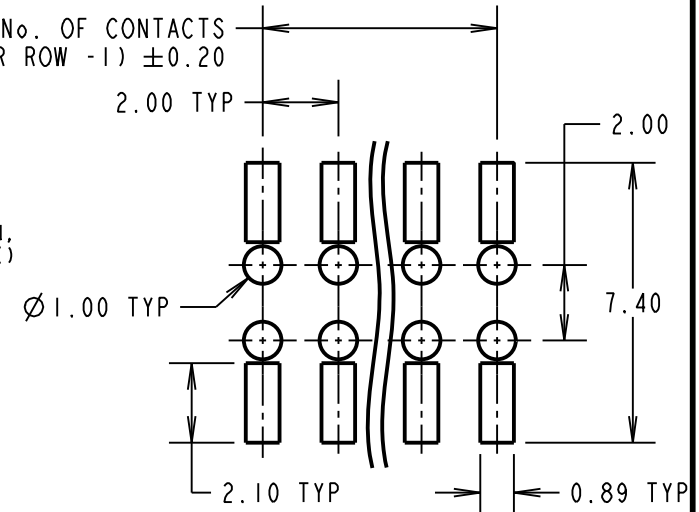
THIRD ANGLE PROJECTION

ALL DIMENSIONS IN mm



**SPECIFICATIONS:**  
**MATERIAL:**  
 HOUSING = PA9T, UL94V-0, BLACK  
 CONTACT = PHOSPHOR BRONZE  
**FINISH:**  
 NICKEL ALL OVER, 100% TIN ON TAILS,  
 GOLD FLASH ON CONTACT AREA.  
**PACKING:**  
 REEL  
 FOR COMPLETE MECHANICAL/ELECTRICAL SPECIFICATION,  
 SEE COMPONENT SPECIFICATION CO18XX (LATEST ISSUE)

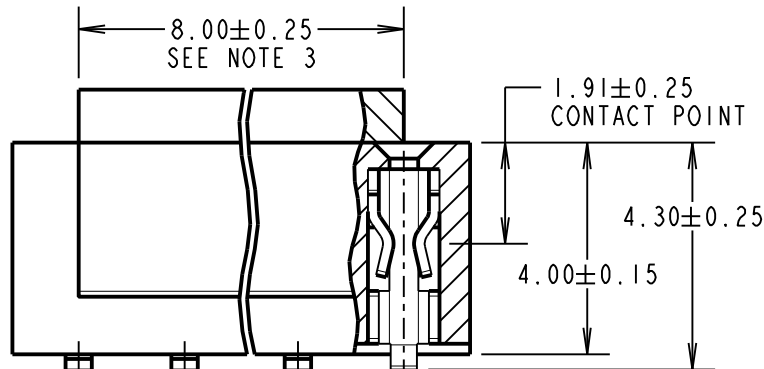
2.00 x (No. OF CONTACTS  
 PER ROW - 1) ± 0.20



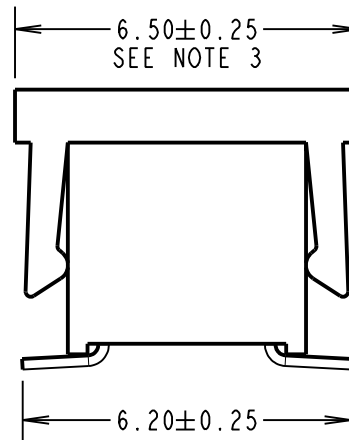
RECOMMENDED PCB LAYOUT  
 (TOLERANCE = ± 0.05)

**Active  
 products:**

**M22-6340342R  
 M22-6340542R**



PART  
 SECTION X-X



**NOTES:**

1. COPLANARITY OF CONTACTS TO BE 0.10mm MAX.
2. FOR TAPE AND REEL DETAILS, SEE SHEET 4.
3. FOR M22-6340342R, 5.00 x 5.00 SQUARE MYLAR TAPE IS USED INSTEAD OF PICK AND PLACE CAP.

**OBSOLETE**

**All other size/finish  
 combinations not listed above**

ORDER CODE:

**M22-634XX42R**

No. OF CONTACTS PER ROW:  
 03, 04, 05

MGP	17	04.01.22	31219
NAME	ISS.	DATE	CN/CO
APPROVED: MGP			
CHECKED: RA			
DRAWN: W. J. BOURNE			
CUSTOMER REF.:			
ASSEMBLY DRG:			

**HARWIN**

www.harwin.com  
 technical@harwin.com

THIS DRAWING AND ANY  
 INFORMATION OR DESCRIPTIVE  
 MATTER SET OUT HEREON ARE  
 CONFIDENTIAL AND COPYRIGHT  
 PROPERTY OF THE HARWIN  
 GROUP AND MUST NOT BE  
 DISCLOSED, LOANED, COPIED  
 OR USED FOR MANUFACTURING,  
 TENDERING OR FOR ANY  
 OTHER PURPOSE WITHOUT  
 THEIR WRITTEN PERMISSION.

**TOLERANCES**  
 X. = ± 1mm  
 X.X = ± 0.50mm  
 X.XX = ± 0.20mm  
 X.XXX = ± 0.01mm  
 ANGLES = ± 5°  
 UNLESS STATED

**MATERIAL:**  
 SEE ABOVE  
**FINISH:** SEE ABOVE  
**S/AREA:** mm<sup>2</sup>

**TITLE:** 2mm PITCH DIL SMT  
 LOW PROFILE SKT ASSEMBLY  
 IN TAPE AND REEL

**DRAWING NUMBER:**  
**M22-634XX42R**

SHT  
 3  
 OF  
 4

# Customer Information Sheet

DRAWING No.: M22-634XX42R

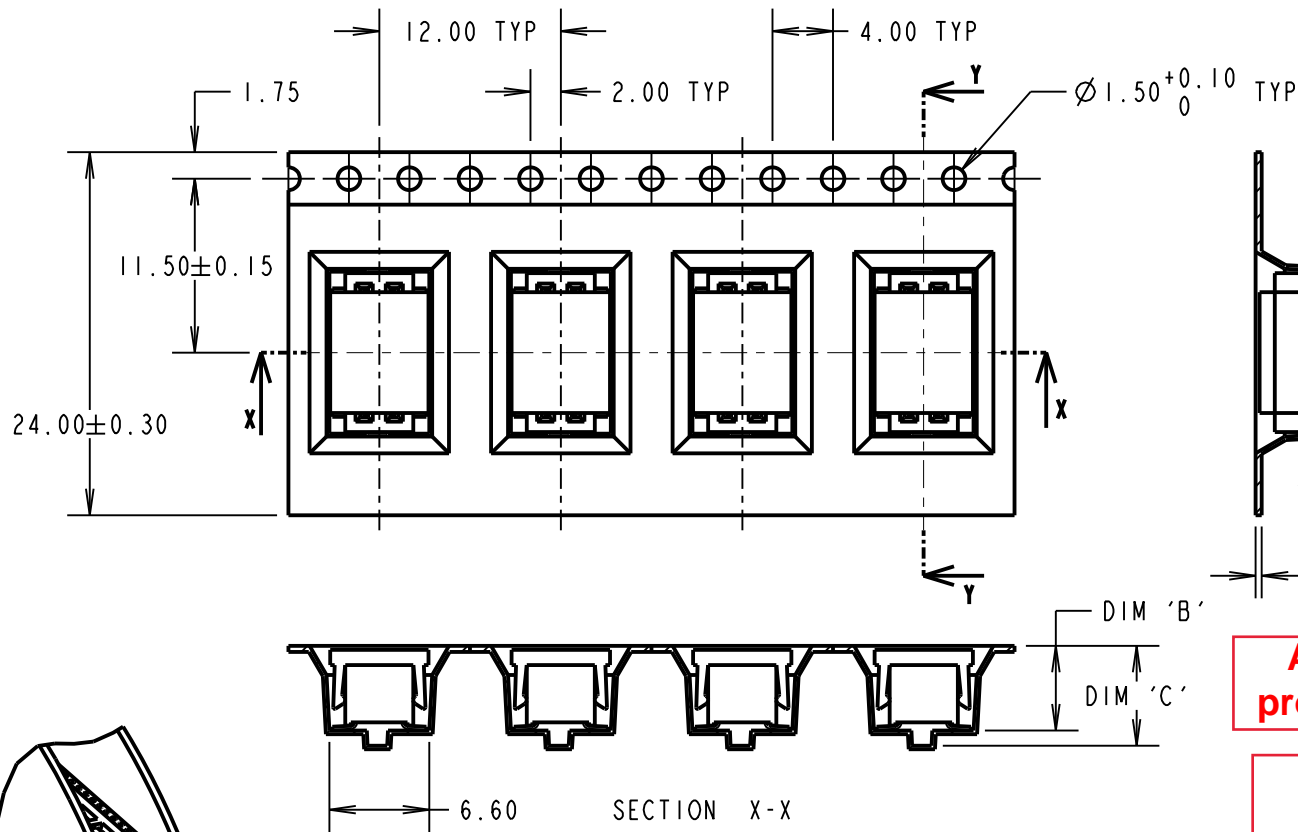
IF IN DOUBT - ASK

©

NOT TO SCALE

THIRD ANGLE PROJECTION

ALL DIMENSIONS IN mm



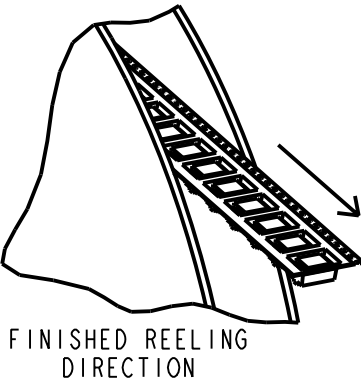
PART No.	DIM 'A'	DIM 'B'	DIM 'C'
M22-6340342R	8.30	5.60	6.60
<del>M22-6340442R</del>	<del>8.90</del>	<del>6.00</del>	<del>6.90</del>
M22-6340542R	10.70	5.60	6.60

**Active products:** M22-6340342R  
M22-6340542R

**OBSOLETE**  
All other size/finish combinations not listed above

ORDER CODE: **M22-634XX42R**

No. OF CONTACTS PER ROW: 03, 04, 05



- NOTES:
- FOR CONNECTOR DIMENSIONS, SEE SHEET 3.
  - QUANTITY OF COMPONENTS PER REEL = 800.
  - PRODUCT IS TAPE AND REELED IN ACCORDANCE WITH ELECTRONICS INDUSTRIES ASSOCIATION EIA-481.

MGP	17	04.01.22	31219
NAME	ISS.	DATE	CN/CO
APPROVED: MGP			
CHECKED: RA			
DRAWN: W. J. BOURNE		CUSTOMER REF.:	
ASSEMBLY DRG:			

## HARWIN

www.harwin.com  
technical@harwin.com

THIS DRAWING AND ANY INFORMATION OR DESCRIPTIVE MATTER SET OUT HEREON ARE CONFIDENTIAL AND COPYRIGHT PROPERTY OF THE HARWIN GROUP AND MUST NOT BE DISCLOSED, LOANED, COPIED OR USED FOR MANUFACTURING, TENDERING OR FOR ANY OTHER PURPOSE WITHOUT THEIR WRITTEN PERMISSION.

TOLERANCES  
X. = ±1mm  
X.X = ±0.50mm  
X.XX = ±0.20mm  
X.XXX = ±0.01mm  
ANGLES = ±5°  
UNLESS STATED

MATERIAL: SEE SHEET 3  
FINISH: SEE SHEET 3  
S/AREA: mm<sup>2</sup>

TITLE: 2mm PITCH DIL SMT LOW PROFILE SKT ASSEMBLY IN TAPE AND REEL  
DRAWING NUMBER: **M22-634XX42R**