

Customer Information Sheet

DRAWING No.: M225-520XX46

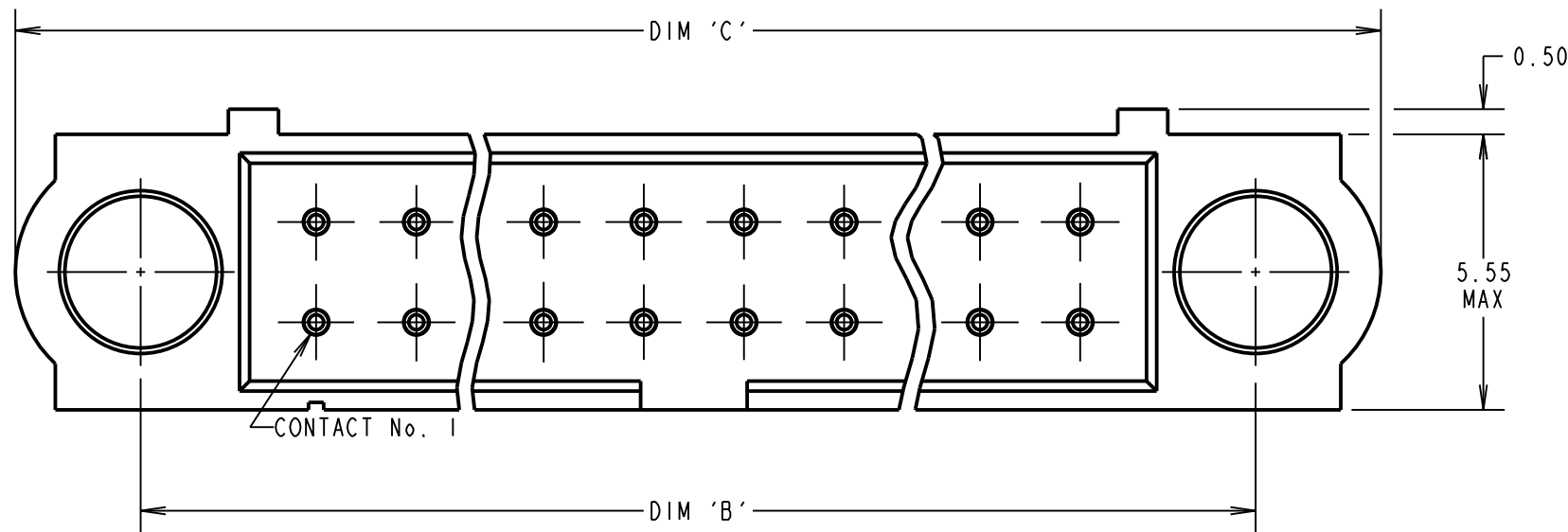
IF IN DOUBT - ASK

©

NOT TO SCALE

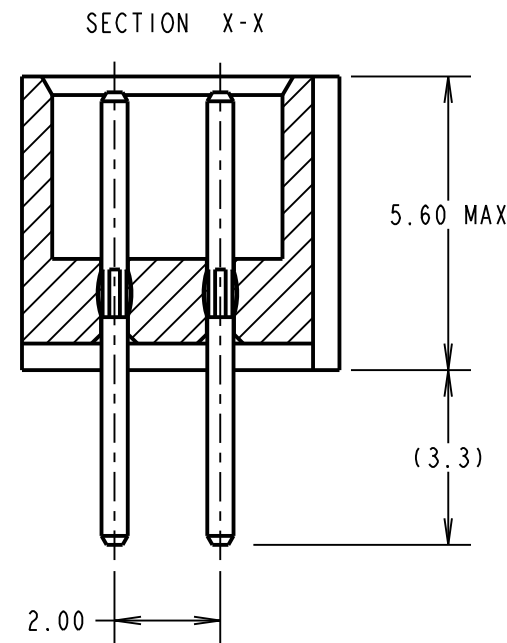
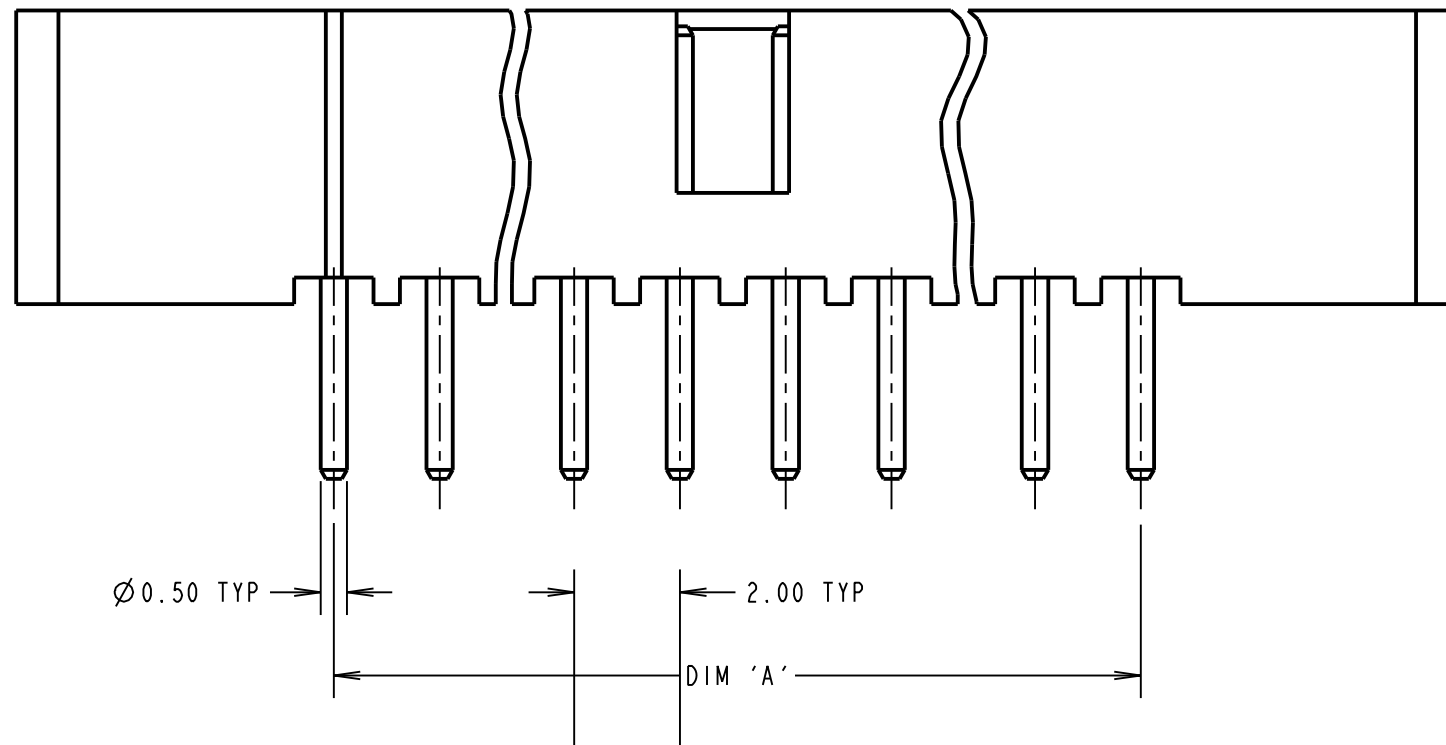
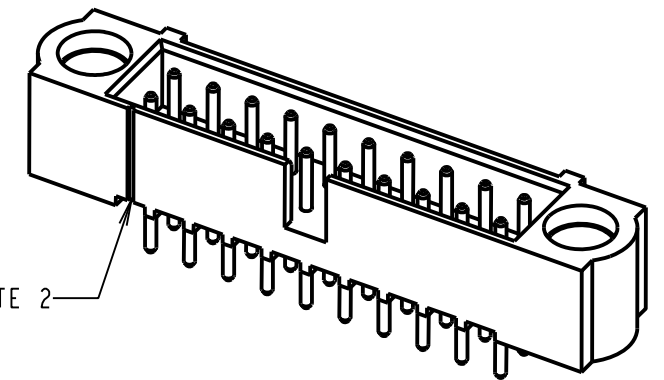
THIRD ANGLE PROJECTION

ALL DIMENSIONS IN mm



ORDER CODE:
M225-520XX46
 TOTAL No. OF CONTACTS: _____
 10, 20, 26, 34, 50
 FINISH: _____
 46 - 100% TIN OVER NICKEL

SPECIFICATIONS:
 MATERIAL:
 MOULDING = GLASS-FILLED PPS,
 UL94V-0, BLACK
 CONTACT = PHOSPHOR BRONZE
 FINISH:
 46 = 3µm 100% TIN OVER 2.4µm NICKEL
 PACKING:
 TUBE
 FOR COMPLETE SPECIFICATION, SEE
 COMPONENT SPECIFICATION C050XX
 (LATEST ISSUE)

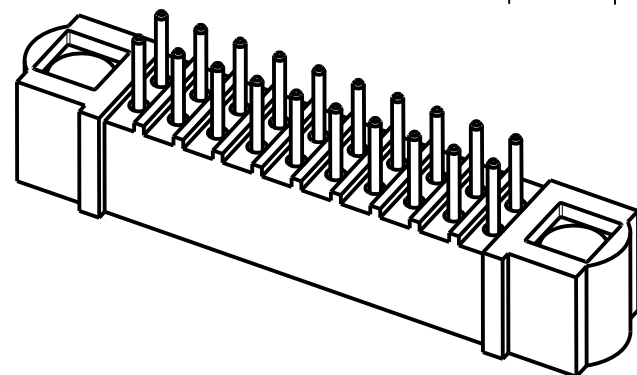


| DIMENSION | CALCULATION |
|-----------|------------------------------|
| DIM 'A' | TOTAL No. OF CONTACTS - 2.00 |
| DIM 'B' | TOTAL No. OF CONTACTS + 5.00 |
| DIM 'C' | TOTAL No. OF CONTACTS + 10.0 |

EXAMPLE: CONNECTOR WITH 20 CONTACTS,
 100% TIN OVER NICKEL ALL OVER, M225-5202046.
 DIM 'A' = 18.00mm, DIM 'B' = 25.00mm, DIM 'C' = 30.0mm

- NOTES:
 1. RECOMMENDED PCB HOLE SIZE = $\varnothing 0.70 \pm 0.05$ mm.
 2. CONTACT No.1 IDENT MARKER IS NOT PRESENT ON ALL CONNECTORS.

| | | | |
|--------------------|------|----------|--------|
| MR | 1 | 18.12.18 | 21726 |
| NAME | ISS. | DATE | C/NOTE |
| APPROVED: M.RUDKIN | | | |
| CHECKED: S.BENNETT | | | |
| DRAWN: S.BENNETT | | | |
| CUSTOMER REF.: | | | |
| ASSEMBLY DRG: | | | |



HARWIN
 www.harwin.com
 technical@harwin.com

THIS DRAWING AND ANY INFORMATION OR DESCRIPTIVE MATTER SET OUT HEREON ARE CONFIDENTIAL AND COPYRIGHT PROPERTY OF THE HARWIN GROUP AND MUST NOT BE DISCLOSED, LOANED, COPIED OR USED FOR MANUFACTURING, TENDERING OR FOR ANY OTHER PURPOSE WITHOUT THEIR WRITTEN PERMISSION.

TOLERANCES
 X. = ± 1 mm
 X.X = ± 0.50 mm
 X.XX = ± 0.10 mm
 X.XXX = ± 0.01 mm
 ANGLES = $\pm 5^\circ$
 UNLESS STATED

MATERIAL:
 SEE ABOVE
 FINISH: SEE ABOVE
 S/AREA: mm²

TITLE:
 M225 DIL VERTICAL
 PC TAIL MALE ASSEMBLY

DRAWING NUMBER:
M225-520XX46

SHT
 2 OF 2