

# Customer Information Sheet

DRAWING No.: M80-813XXX

SHEET 2 OF 2

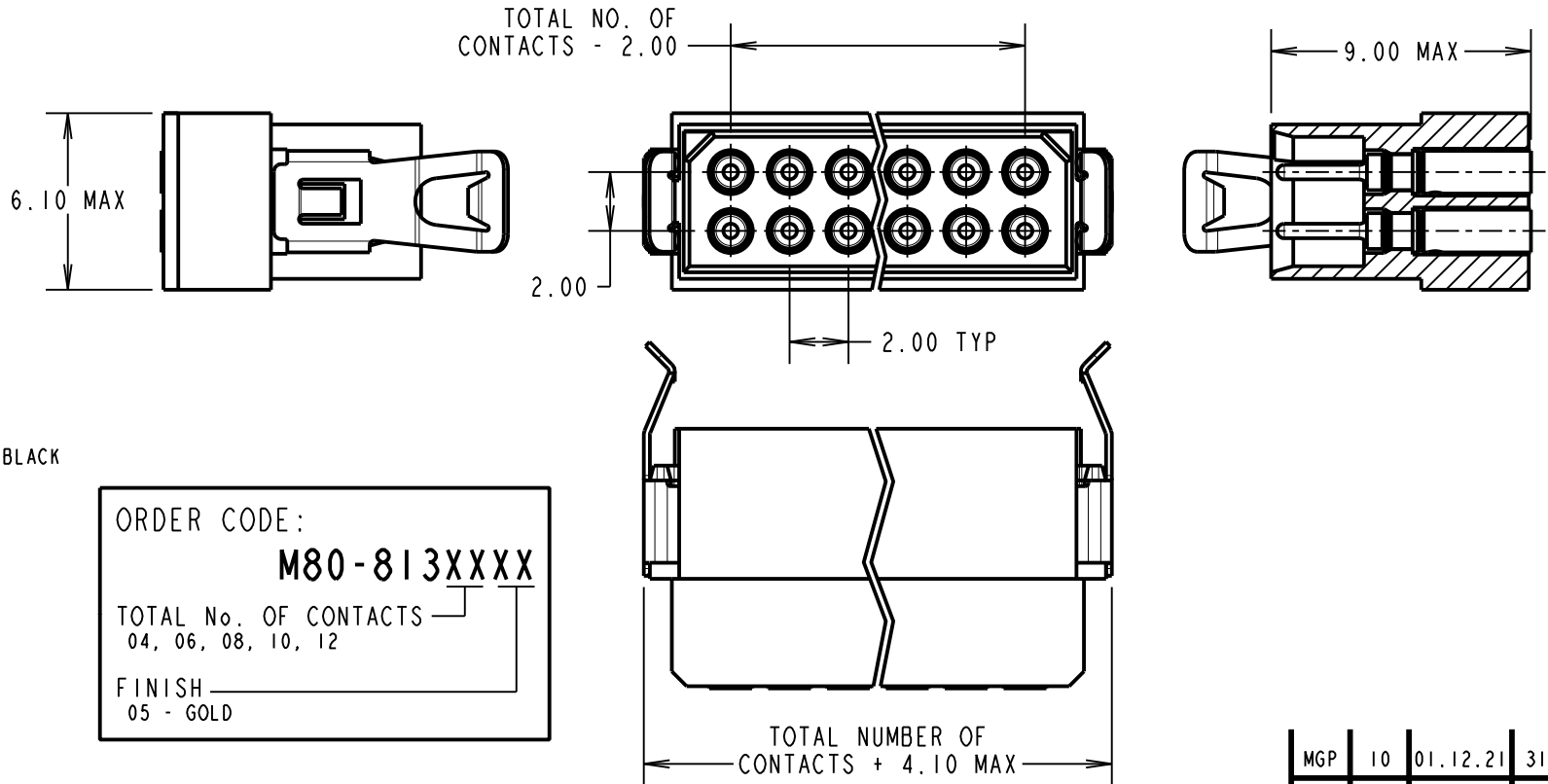
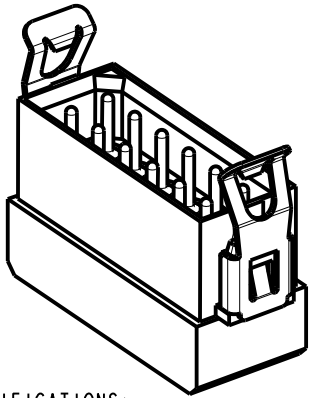
IF IN DOUBT - ASK

©

NOT TO SCALE

THIRD ANGLE PROJECTION

ALL DIMENSIONS IN mm



**SPECIFICATIONS:**

**MATERIAL:**  
 Moulding = GLASS-FILLED POLYAMIDE 46 UL94V-0, BLACK  
 CONTACTS = BRASS  
 LATCH = BERYLLIUM COPPER

**FINISH:**  
 CONTACTS:  
 05 = 0.25-0.30µm GOLD  
 LATCH = 1.25µm NICKEL

**ELECTRICAL:**  
 CURRENT RATING AT 25°C = 3.0A MAX  
 CURRENT RATING AT 85°C = 2.2A MAX  
 WORKING VOLTAGE = 800V AC/DC  
 VOLTAGE PROOF = 1200V AC/DC  
 CONTACT RESISTANCE:  
 INITIAL = 20 mΩ MAX  
 AFTER CONDITIONING = 25 mΩ MAX

**INSULATION RESISTANCE:**  
 INITIAL = 1,000 MΩ MIN  
 AFTER CONDITIONING = 100 MΩ MIN

**MECHANICAL:**  
 DURABILITY = 500 OPERATIONS  
**ENVIRONMENTAL:**  
 TEMPERATURE RANGE = -55°C TO +125°C

**PACKING:**  
 BAG (CONTACTS AND MOULDINGS UN-ASSEMBLED)  
 FOR COMPLETE SPECIFICATION, SEE COMPONENT SPECIFICATION C005XX (LATEST ISSUE)

ORDER CODE:

**M80-813XXX**

TOTAL No. OF CONTACTS  
 04, 06, 08, 10, 12

FINISH  
 05 - GOLD

**NOTES:**

1. RECOMMENDED TO BE USED WITH PTFE INSULATED WIRE, 22 AWG. MAX INSULATION DIAMETER = Ø1.10mm. STRIP WIRE BY 2.00mm.
2. FOR EXTRA CONTACTS USE PART NUMBER M80-0400005.
3. RECOMMENDED HAND CRIMP TOOL = M22520/2-01 WITH POSITIONER T5747. REFER TO TOOLING INSTRUCTION SHEET IS-01 FOR COMPLETE CRIMPING INSTRUCTIONS.
4. CONTACT INSERTION AND EXTRACTION TOOL = Z80-280. REFER TO TOOLING INSTRUCTION SHEET IS-25 FOR ASSEMBLY INSTRUCTIONS.

MGP	10	01.12.21	31135
NAME	ISS.	DATE	CN/CO
APPROVED: MGP			
CHECKED: MR			
DRAWN: W. J. BOURNE			
CUSTOMER REF.:			
ASSEMBLY DRG:			

**HARWIN**

www.harwin.com  
 technical@harwin.com

THIS DRAWING AND ANY INFORMATION OR DESCRIPTIVE MATTER SET OUT HEREON ARE CONFIDENTIAL AND COPYRIGHT PROPERTY OF THE HARWIN GROUP AND MUST NOT BE DISCLOSED, LOANED, COPIED OR USED FOR MANUFACTURING, TENDERING OR FOR ANY OTHER PURPOSE WITHOUT THEIR WRITTEN PERMISSION.

**TOLERANCES**  
 X. = ±1mm  
 X.X = ±0.50mm  
 X.XX = ±0.20mm  
 X.XXX = ±0.01mm  
 ANGLES = ±5°  
 UNLESS STATED

**MATERIAL:**  
 SEE ABOVE  
**FINISH:**  
**S/AREA:** mm<sup>2</sup>

**TITLE:** DATAMATE 2mm PITCH CRIMP DIL LATCH PLUG ASSY LARGE BORE (22 AWG)

**DRAWING NUMBER:** M80-813XXX

SHT 2 OF 2