

# Customer Information Sheet

DRAWING No.: M83-LMTIMINXX-0000-0000

SHEET 2 OF 2

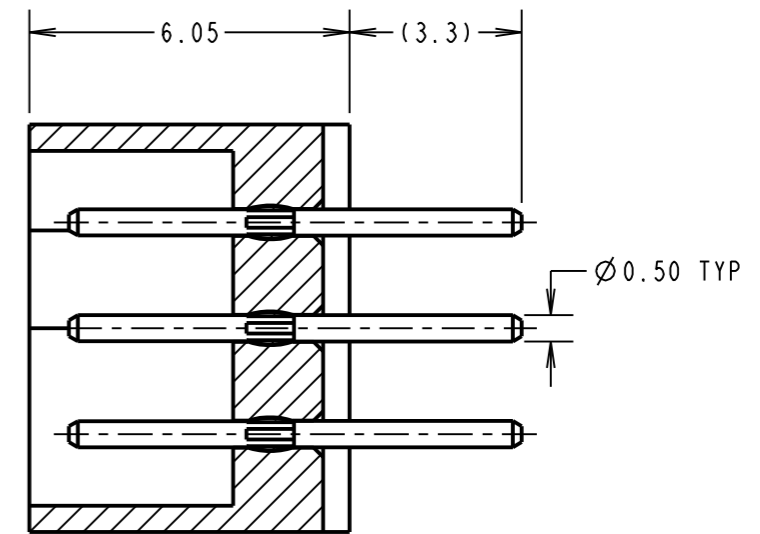
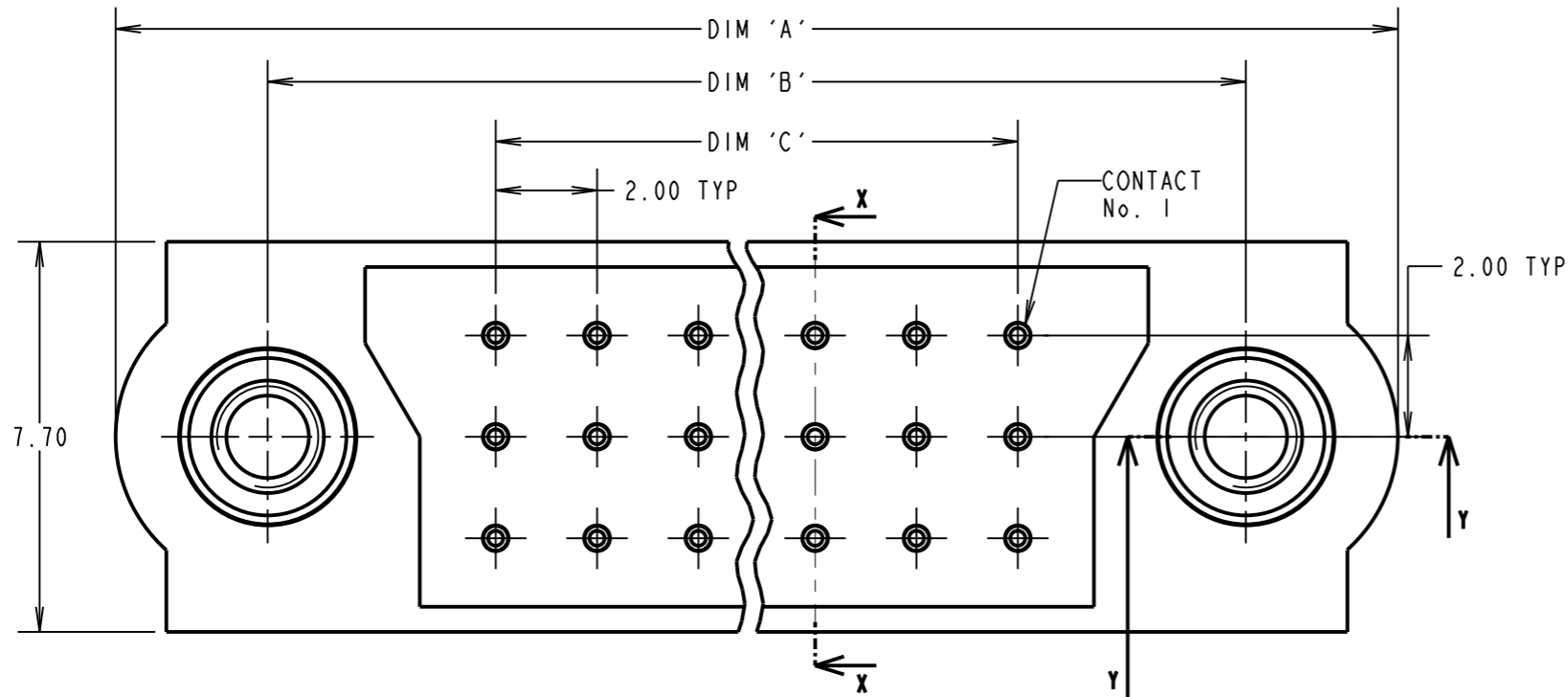
IF IN DOUBT - ASK

©

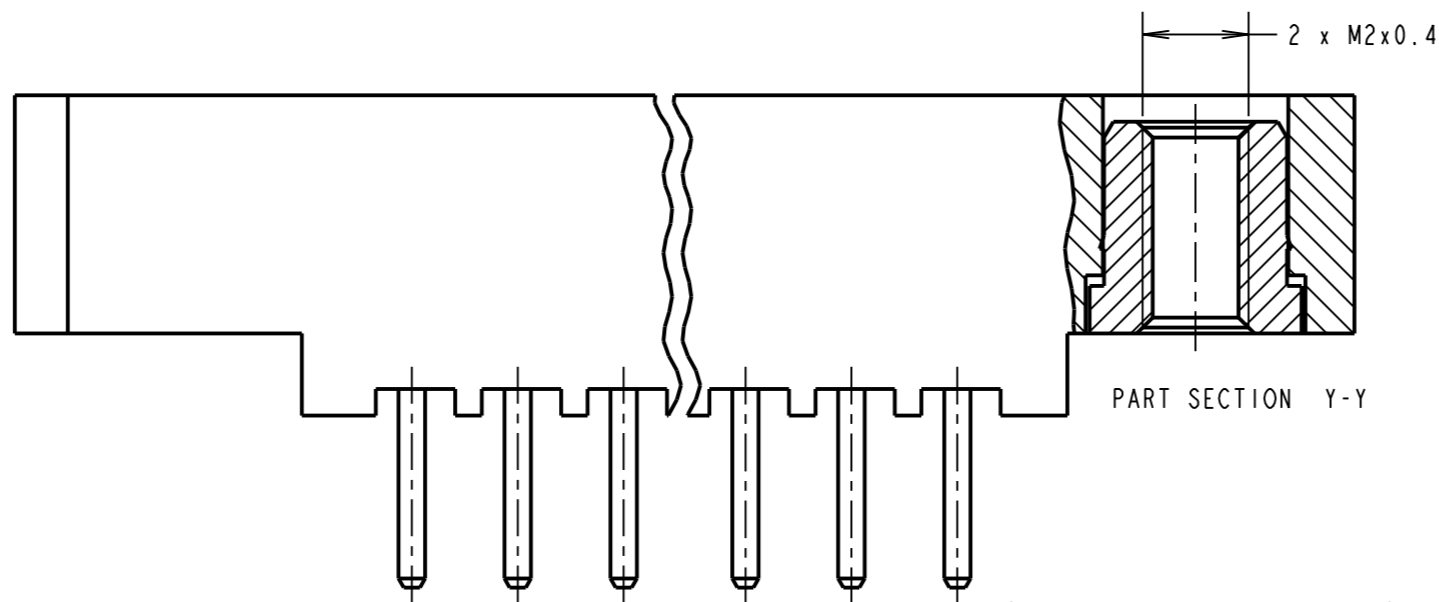
NOT TO SCALE

THIRD ANGLE PROJECTION

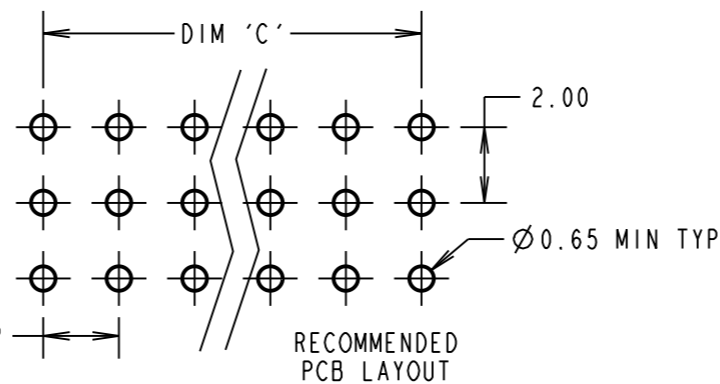
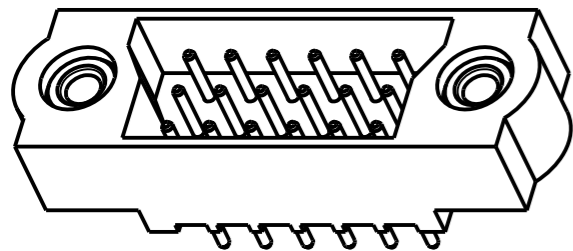
ALL DIMENSIONS IN mm



SECTION X-X



PART SECTION Y-Y



**SPECIFICATIONS:**

- MATERIAL:
  - MOULDING = GLASS-FILLED PPS, UL94V-0, BLACK
  - JACKSCREW = STAINLESS STEEL
  - CONTACT = BRASS
  - FINISH:
  - CONTACT = 0.75µ GOLD
  - ELECTRICAL:
  - CURRENT RATING AT 25°C = 3.0A MAX
  - CURRENT RATING AT 85°C = 2.2A MAX
  - CONTACT RESISTANCE = 25 mΩ MAX
  - WORKING VOLTAGE = 120V AC/DC
  - VOLTAGE PROOF = 360V AC/DC
  - INSULATION RESISTANCE = 100 MΩ MIN
  - MECHANICAL:
  - DURABILITY = 500 OPERATIONS
  - ENVIRONMENTAL:
  - TEMPERATURE RANGE = -55°C TO +125°C
  - PACKING:
  - TRAY
- FOR COMPLETE SPECIFICATION, SEE COMPONENT SPECIFICATION C005XX (LATEST ISSUE)

SB	2	10.02.12	11638
NAME	ISS.	DATE	C/NOTE
APPROVED:		S.BENNETT	
CHECKED:		S.FLOWER	
DRAWN:		S. MCCULLAGH	
CUSTOMER REF.:			
ASSEMBLY DRG:			

ORDER CODE:  
**M83-LMTIMINXX-0000-000**

TOTAL No. OF CONTACTS:  
18, 27, 36, 54, 60, 63, 72, 96

DIMENSION	CALCULATION
DIM 'A'	((TOTAL No. OF CONTACTS / 3) x 2) + 13
DIM 'B'	((TOTAL No. OF CONTACTS / 3) x 2) + 7
DIM 'C'	((TOTAL No. OF CONTACTS / 3) x 2) - 2
EXAMPLE: CONNECTOR WITH 27 CONTACTS, M83-LMTIMIN27-0000-000 DIM 'A' = 31.00, DIM 'B' = 25.00, DIM 'C' = 16.00	

**HARWIN**

www.harwin.com  
technical@harwin.com

THIS DRAWING AND ANY INFORMATION OR DESCRIPTIVE MATTER SET OUT HEREON ARE CONFIDENTIAL AND COPYRIGHT PROPERTY OF THE HARWIN GROUP AND MUST NOT BE DISCLOSED, LOANED, COPIED OR USED FOR MANUFACTURING, TENDERING OR FOR ANY OTHER PURPOSE WITHOUT THEIR WRITTEN PERMISSION.

TOLERANCES  
X. = ±1mm  
X.X = ±0.25mm  
X.XX = ±0.10mm  
X.XXX = ±0.01mm  
ANGLES = ±5°  
UNLESS STATED

MATERIAL: SEE ABOVE  
FINISH: SEE ABOVE  
S/AREA: mm<sup>2</sup>

TITLE: JACKSCREW DATAMATE  
3-ROW VERTICAL MALE  
3.3mm PC-TAIL ASSEMBLY

DRAWING NUMBER:  
**M83-LMTIMINXX-0000-000** SHT 2 OF 2