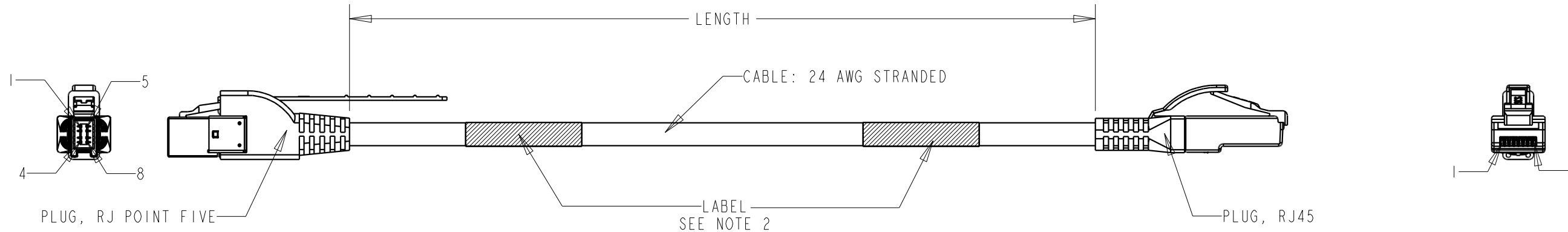


DATE	REV.	ECN	APP'D BY
2-23-15	A2	10263	ADB
3-30-16	A3	10654	TRM



PART NUMBER KEY  
RJP5XXXXAB-Y

RJ POINT FIVE FAMILY  
 XXX.X = 0.5 THRU 15.0M  
 0.5M INCREMENTS  
 JACKET COLOR  
 A = BLACK, UTP

CABLE LENGTH METER (IN)	TOLERANCE METER (INCHES)
0.5 [19.7] TO 2.5 [98.4]	+0.1 [3.90] / -0 [0.00]
3.0 [1118] TO 9.5 [374]	+0.15 [5.91] / -0 [0.00]
10.0 [394] TO 19.5 [768]	+0.25 [9.84] / -0 [0.00]
20.0 [787] TO 49.5 [1949]	+0.35 [13.8] / -0 [0.00]
50.0 [1967] TO 69.5 [2736]	+0.5 [19.7] / -0 [0.00]
70.0 [2756] TO 100.0 [3937]	+1 [39.4] / -0 [0.00]

TYPICAL PART NUMBERS

PART NUMBER	LENGTH METERS (INCHES)
RJP50005AB-A	0.5 [19.69]
RJP50010AB-A	1.0 [39.37]
RJP50015AB-A	1.5 [59.06]
RJP50020AB-A	2.0 [78.74]
RJP50025AB-A	2.5 [98.43]
RJP50030AB-A	3.0 [118.11]
RJP50040AB-A	4.0 [157.48]
RJP50050AB-A	5.0 [196.85]
RJP50075AB-A	7.5 [295.28]
RJP50100AB-A	10.0 [393.70]
RJP50125AB-A	12.5 [492.13]
RJP50150AB-A	15.0 [590.55]

FOR PART NUMBERS NOT SHOWN  
FOLLOW PART NUMBER KEY FORMAT

NOTES:

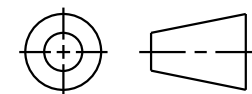
- CABLE ASSEMBLY 100% TESTED FOR OPENS, SHORTS, AND WIRING MAPPING.
- CABLE GREATER THAN 3 METERS WILL CONTAIN 2 LABELS.
- PRODUCT SPECIFICATION: PR036-01.

RJ POINT FIVE IS A TRADEMARK  
OF TE CONNECTIVITY  
USED HERE BY PERMISSION

RoHS



THIRD ANGLE PROJECTION



11118 Susquehanna Trail South  
Glen Rock, PA 17327-9199  
(717) 235-7512

<http://www.stewartconnector.com>

DO NOT SCALE DRAWING

DRAWING IS SUBJECT TO  
CHANGE WITHOUT NOTICE

DIMENSIONS: INCHES [METRIC]

UNLESS OTHERWISE SPECIFIED  
TOLERANCES ARE ±.005 [0.13]  
ANGLES ARE ±1°

SHEET NO.  
1 OF 2

CABLE ASSEMBLY, UNSHIELDED,  
RJ POINT FIVE TO RJ45

THIS DRAWING AND THE SUBJECT MATTER SHOWN THEREON  
ARE CONFIDENTIAL AND THE PROPRIETARY PROPERTY OF  
STEWART CONNECTOR AND SHALL NOT BE REPRODUCED,  
COPIED, OR USED IN ANY MANNER WITHOUT PRIOR WRITTEN  
CONSENT OF STEWART CONNECTOR. ONE OR MORE U.S. PATENTS  
MAY APPLY TO THIS PRODUCT. FOR DETAILS, PLEASE  
VISIT: [HTTP://BELFUSE.COM/STEWART/STEWART\\_PATENTS/](http://BELFUSE.COM/STEWART/STEWART_PATENTS/)

DRN BY:	SAW	DATE	6-16-10
APPD BY:	JLB	DATE	6-16-10
DWG. NO.	CT999030	REV.	A3

B

B

RJ POINT FIVE		RJ 45	
1	——— WHITE/ORANGE	———	1
2	——— ORANGE	———	2
3	——— WHITE/GREEN	———	3
4	——— GREEN	———	6
5	——— BLUE	———	4
6	——— WHITE/BLUE	———	5
7	——— WHITE/BROWN	———	7
8	——— BROWN	———	8

WIRING DIAGRAM

A

A

RJ POINT FIVE IS A TRADEMARK  
OF TE CONNECTIVITY  
USED HERE BY PERMISSION



THIRD ANGLE PROJECTION 				11118 Susquehanna Trail South Glen Rock, PA 17327-9199 (717) 235-7512 <a href="http://www.stewartconnector.com">http://www.stewartconnector.com</a>	
DO NOT SCALE DRAWING DRAWING IS SUBJECT TO CHANGE WITHOUT NOTICE		CABLE ASSEMBLY, UNSHIELDED, RJ POINT FIVE TO RJ45			
DIMENSIONS: INCHES [METRIC]		THIS DRAWING AND THE SUBJECT MATTER SHOWN THEREON ARE CONFIDENTIAL AND THE PROPRIETARY PROPERTY OF STEWART CONNECTOR AND SHALL NOT BE REPRODUCED, COPIED, OR USED IN ANY MANNER WITHOUT PRIOR WRITTEN CONSENT OF STEWART CONNECTOR. ONE OR MORE U.S. PATENTS MAY APPLY TO THIS PRODUCT. FOR DETAILS, PLEASE VISIT: <a href="http://BELFUSE.COM/STEWART/STEWART_PATENTS/">HTTP://BELFUSE.COM/STEWART/STEWART_PATENTS/</a>		DRN BY: SAW	DATE 6-16-10
UNLESS OTHERWISE SPECIFIED TOLERANCES ARE ±.005 [0.13] ANGLES ARE ±1°		APPD BY: JLB	DATE 6-16-10		REV. A3
SHEET NO. 2 OF 2		DWG. NO. CT999030			