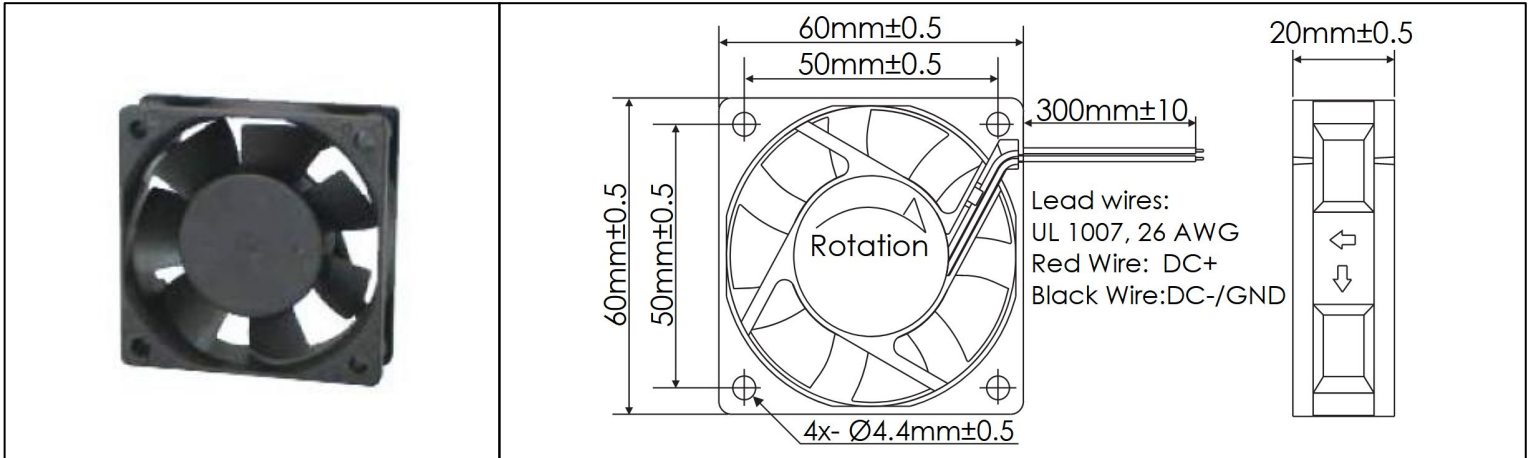


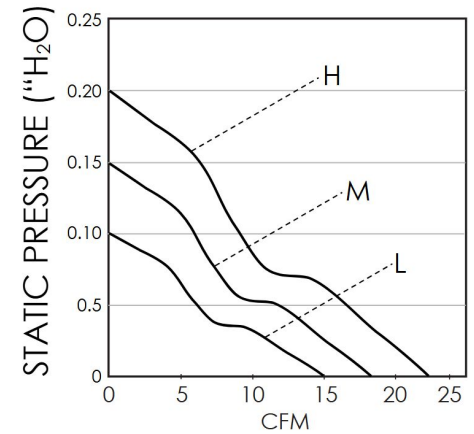
OD6020 Series



DC Fans - 5V, 12V, 24V
60mm x 20mm (2.4" x 0.8")



Frame	PBT, UL94 V-0 Plastic	Operating Temperature -20°C ~ +65°C
Impeller	PBT, UL94 V-0 Plastic	
Connection	2x Lead Wires, 26 AWG	Storage Temperature -20°C ~ +75°C
Motor	Brushless DC, Auto Cutoff, Auto Restart, Polarity Protected, Electronically Protected	
Bearing System	Ball Bearings	Life Expectancy 60,000 Hours (L10 at 45°C)
Dielectric Strength	500VDC/min, <1mA	
Insulation Resistance	≥10M Ohm @ 500 VDC	Available Options PWM Speed Control Input Tachometer Output Alarm Output Sealed Sleeve Bearings IP Ratings
		Weight: 0.13 lbs



Part Number	Rated Voltage (Volts)	Voltage Range (Volts)	Input Power (Watts)	Rated Current (Amps)	Rated Speed (RPM)	Max Airflow (CFM)	Noise Level (dBA)	Max Static Pressure (in H ₂ O)
OD6020-05MB	5	4.5 ~ 5.5	1.3	0.25	4675	17.4	28.3	0.15
OD6020-05LB	5	4.5 ~ 5.5	1.0	0.19	3790	14.9	26.2	0.10
OD6020-12HB	12	8 ~ 13.8	2.2	0.18	5550	22.8	33.4	0.20
OD6020-12MB	12	8 ~ 13.8	2.2	0.18	4675	17.4	28.3	0.15
OD6020-12LB	12	8 ~ 13.8	1.8	0.15	3790	14.9	26.2	0.10
OD6020-24HB	24	15 ~ 26.4	3.6	0.15	5550	22.8	33.4	0.20
OD6020-24MB	24	15 ~ 26.4	3.6	0.15	4675	17.4	28.3	0.15
OD6020-24LB	24	15 ~ 26.4	3.1	0.13	3790	14.9	26.2	0.10