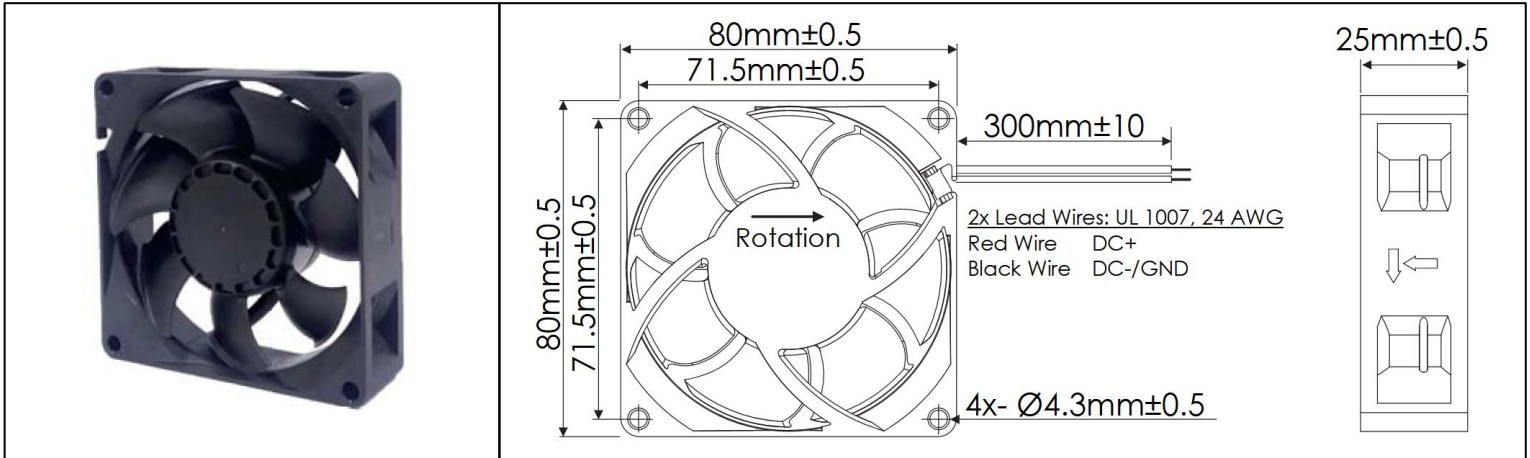


OD8025 XE Series



DC Fans - 12, 24, 48V
80mm x 25mm (3.15" x 1.00")



| | | | |
|------------------------------|---|--|--|
| Frame | PBT, UL94 V-0 Plastic | Operating Temperature -20°C ~ +65°C Storage Temperature -25°C ~ +75°C Life Expectancy 70,000 Hours (L10 at 40°C) Available Options Tachometer Output Alarm Output PWM Speed Control Input IP Ratings Weight: 0.24 lbs | |
| Impeller | PBT, UL94 V-0 Plastic | | |
| Connection | 2x Lead Wires, 24 AWG | | |
| Motor | Brushless DC, Auto Cutoff, Auto Restart, Polarity Protected, Electronically Protected | | |
| Bearing System | Ball Bearings | | |
| Dielectric Strength | 500VDC/min, <1mA | | |
| Insulation Resistance | ≥10MΩ @ 500V DC | | |

| Part Number | Rated Voltage (Volts DC) | Voltage Range (Volts DC) | Input Power (Watts)(~Max) | Rated Current (Amps)(~Max) | Rated Speed (RPM) | Max Airflow (CFM) | Noise Level (dB) | Max Static Pressure ("H ₂ O) |
|----------------|--------------------------|--------------------------|---------------------------|----------------------------|-------------------|-------------------|------------------|---|
| OD8025-12HHBXE | 12 | 8 ~ 13.8 | 19.2 (~20.5) | 1.60 (~1.8) | 9450 | 104.6 | 65.2 | 1.60 |
| OD8025-12HBXE | 12 | 8 ~ 13.8 | 11.5 (~13.2) | 0.96 (~1.1) | 8000 | 85.8 | 60.1 | 1.20 |
| OD8025-12MBXE | 12 | 8 ~ 13.8 | 8.6 (~9.6) | 0.72 (~0.8) | 6975 | 76.3 | 55.7 | 0.82 |
| OD8025-12LBXE | 12 | 8 ~ 13.8 | 6.5 (~7.2) | 0.54 (~0.6) | 5990 | 64.6 | 50.3 | 0.63 |
| OD8025-24HHBXE | 24 | 15 ~ 26 | 20.4 (~24.0) | 0.85 (~1.0) | 9450 | 104.6 | 65.2 | 1.60 |
| OD8025-24HBXE | 24 | 15 ~ 26 | 12.0 (~16.8) | 0.50 (~0.7) | 8000 | 85.8 | 60.1 | 1.20 |
| OD8025-24MBXE | 24 | 15 ~ 26 | 9.1 (~12.0) | 0.38 (~0.5) | 6975 | 76.3 | 55.7 | 0.82 |
| OD8025-24LBXE | 24 | 15 ~ 26 | 7.0 (~9.6) | 0.29 (~0.4) | 5990 | 64.6 | 50.3 | 0.63 |
| OD8025-48HHBXE | 48 | 28 ~ 52 | 21.6 (~28.8) | 0.45 (~0.6) | 9450 | 104.6 | 65.2 | 1.60 |
| OD8025-48HBXE | 48 | 28 ~ 52 | 18.2 (~24.0) | 0.38 (~0.5) | 8000 | 85.8 | 60.1 | 1.20 |
| OD8025-48MBXE | 48 | 28 ~ 52 | 13.0 (~19.2) | 0.27 (~0.4) | 6975 | 76.3 | 55.7 | 0.82 |
| OD8025-48LBXE | 48 | 28 ~ 52 | 9.6 (~14.4) | 0.20 (~0.3) | 5990 | 64.6 | 50.3 | 0.63 |