

## SUMMARY



Image is for illustrative purpose only

### # Wires

Triax 1

|                  |                                   |
|------------------|-----------------------------------|
| Series           | 2E                                |
| Termination type | Female solder                     |
| IP rating        | 68 when mated                     |
| AWG wire size    | 0.00 - 0.00                       |
| Cable Ø          | 0.00 - 0.00 mm                    |
| Status           | active                            |
| Matching parts   | <a href="#">FFA.2E.675.CLAC40</a> |

### Download

[Request a quote](#)

[Catalog](#)

## TECHNICAL DETAILS

### Mechanics

|                   |   |
|-------------------|---|
| Shell Style/Model | ERA*: Fixed receptacle, nut fixing  |
| Keying            | Circular, female  |
| Housing Material  | Brass (chrome plated [SAE AMS 2460]) shell and collet nut, nickel plated [SAE AMS QQ N 290] brass latch sleeve and mid pieces |
| Weight            | 36.75 g   |

### Performance

|               |                           |
|---------------|---------------------------|
| Configuration | 2E.675 : 1 Triax (75 Ohm) |
| Insulator     | T: PTFE                   |
| Rated Current | 6 Amps                    |

### Specifications

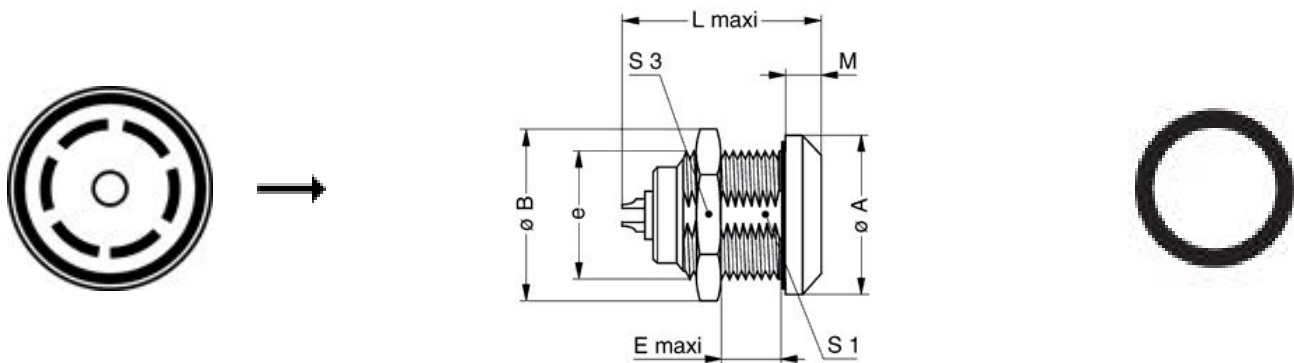
Contact Type: Triaxial 75 Ohm (Solder)  
Contact Dia.: 0.9 mm (0.035in)  
Vtest: 1200 V (AC), 1690 V (DC)  
Impedance: 75 Ohm  
VSWR: 1.02 + 0.07 \* f/GHz  
Cable type: Belden 8215,8232A,HF-2426,Triax 8 Nokia,375 029 LEDE, RGT 179

### Others

LEMO products and services are provided "as is". LEMO makes no warranties or representations with regard to LEMO product & services or use of them, express, implied or statutory, including for accuracy, completeness, or security. The user is fully responsible for his products and applications using LEMO components.

Endurance (Shell): 5000 mating cycles  
 Temp (min / max): -55°C / +200°C  
 Humidity (max): <=95% [at 60 deg C / 140 F]  
 Vibration: 15 g [10 Hz - 2000 Hz]  
 Shock Resistance: 100 g [ 6 ms]  
 Climatical Category: 50/175/21  
 Shielding (min): 95 dB (10 MHz)  
 Shielding (min): 80 dB (1 GHz)  
 Salt Spray Corrosion: >1000 hr

## DRAWINGS



### Dimensions

|     | A    | B    | E    | L    | M    | S1   | S3   | e       |
|-----|------|------|------|------|------|------|------|---------|
| mm. | 25   | 27.5 | 9    | 28.5 | 5    | 18.5 | 24   | M20x1.0 |
| in. | 0,98 | 1,08 | 0,35 | 1,12 | 0,20 | 0,73 | 0,94 |         |

## RECOMMENDED BY LEMO

### Tools

*LEMO products and services are provided "as is". LEMO makes no warranties or representations with regard to LEMO product & services or use of them, express, implied or statutory, including for accuracy, completeness, or security. The user is fully responsible for his products and applications using LEMO components.*

*LEMO products and services are provided "as is". LEMO makes no warranties or representations with regard to LEMO product & services or use of them, express, implied or statutory, including for accuracy, completeness, or security. The user is fully responsible for his products and applications using LEMO components.*