

## SUMMARY



Image is for illustrative purpose only

### # Wires

Quad	1
Series	1D
Termination type	Female solder
IP rating	50
AWG wire size	0.00 - 0.00
Cable Ø	4.10 - 5.00 mm
Status	obsolete
Matching parts	<a href="#">ERN.1D.694.CNA</a>

### Download

- [Request a quote](#)
- [Catalog](#)

## TECHNICAL DETAILS

### Mechanics

Shell Style/Model	FFA*: Straight plug, cable collet and nut for fitting a bend relief
Keying	
Housing Material	Brass (chrome plated [SAE AMS 2460]) shell and collet nut, nickel plated [SAE AMS QQ N 290] brass latch sleeve and mid pieces
Variant	Z : Nut for fitting a bend relief
Weight	16.19 g

### Performance

Configuration	1D.694 : 1 Quadrax
Insulator	N: PBT
Rated Current	

### Specifications

Contact Type: Solder  
Vtest (contact-shell): 420 V (AC), 600 V (DC)  
Vtest (contact-contact): 420 V (AC), 600 V (DC)

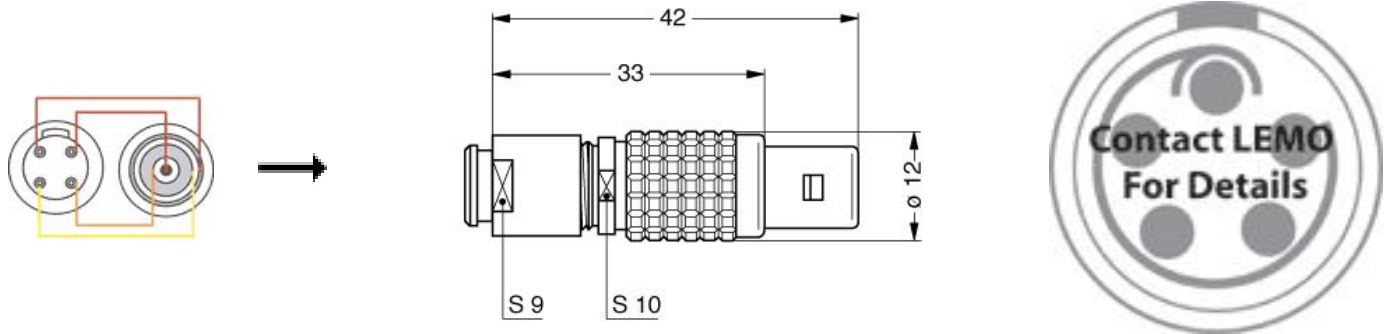
### Others

Endurance (Shell): 1000 mating cycles

LEMO products and services are provided "as is". LEMO makes no warranties or representations with regard to LEMO product & services or use of them, express, implied or statutory, including for accuracy, completeness, or security. The user is fully responsible for his products and applications using LEMO components.

Temp (min / max): -40°C / +120°C  
Insulating res.: 10e11 Ohms  
Shielding (min): 35 dB (1 GHz)  
Shielding (min): 70dB (10 MHz)  
Salt Spray Corrosion: >1000 hr

## DRAWINGS



### Dimensions

	A	L	M
mm.	12	42	33
in.	0,47	1,65	1,30

## RECOMMENDED BY LEMO

### Tools

*LEMO products and services are provided "as is". LEMO makes no warranties or representations with regard to LEMO product & services or use of them, express, implied or statutory, including for accuracy, completeness, or security. The user is fully responsible for his products and applications using LEMO components.*