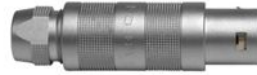


## SUMMARY

### # Wires

High voltage 8



*Image is for illustrative purpose only*

Series 5S  
Termination type Male solder High-Voltage  
IP rating 50  
AWG wire size 0.00 - 0.00  
Cable Ø 7.10 - 8.00 mm  
Status active  
Matching parts [ERA.5S.438.CLL](#)

### Download

[Request a quote](#)

[Catalog](#)

## TECHNICAL DETAILS

### Mechanics

Shell Style/Model FFA\*: Straight plug, cable collet  
Keying Hermaphroditic keying (half moon insert) with male pin 1  
Housing Material Brass (chrome plated [SAE AMS 2460]) shell and collet nut, nickel plated [SAE AMS QQ N 290] brass latch sleeve and mid pieces  
Weight 356.01 g

### Performance

Configuration 5S.438 : 8 High Voltage  
Insulator L: PEEK (UL 94 / V-0/1.5)  
Rated Current

### Specifications

Contact Type: Solder  
Working voltage HV contact - Us (kV rms) 2.1  
Test voltage LV Ue (kV rms) -

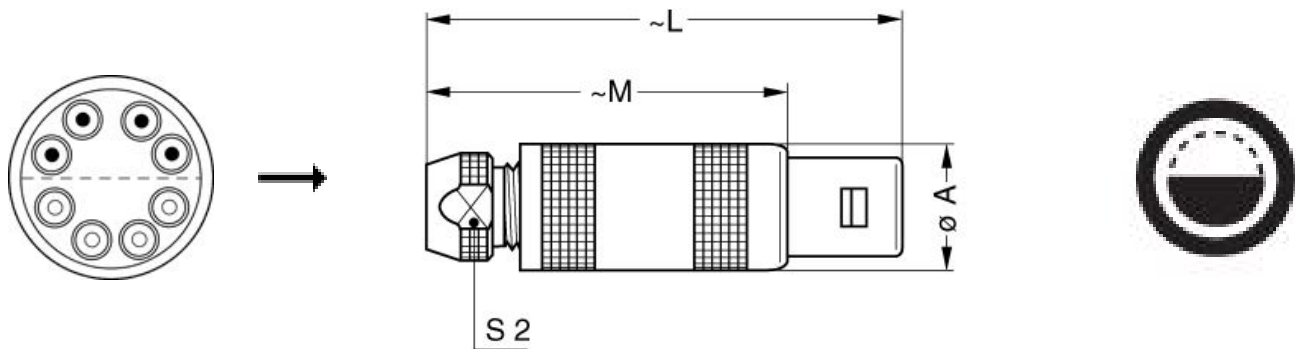
### Others

Endurance (Shell): 5000 mating cycles  
Temp (min / max): -55° C / +250° C

*LEMO products and services are provided "as is". LEMO makes no warranties or representations with regard to LEMO product & services or use of them, express, implied or statutory, including for accuracy, completeness, or security. The user is fully responsible for his products and applications using LEMO components.*

Humidity (max): <=95% [at 60 deg C /140 F]  
 Vibration: 15 g [10 Hz - 2000 Hz]  
 Shock Resistance: 100 g [ 6 ms]  
 Climatical Category: 50/175/21  
 Shielding (min): 75 dB (10 MHz)  
 Shielding (min): 40 dB (1 GHz)  
 Salt Spray Corrosion: >144 hr

## DRAWINGS



### Dimensions

	A	L	M	S2
mm.	35	103	78	29
in.	1,38	4,06	3,07	1,14

## RECOMMENDED BY LEMO

### Tools

Caps: [BFA.5S.100.NAS](#)

*LEMO products and services are provided "as is". LEMO makes no warranties or representations with regard to LEMO product & services or use of them, express, implied or statutory, including for accuracy, completeness, or security. The user is fully responsible for his products and applications using LEMO components.*