

## SUMMARY

### # Wires

Coax 1



*Image is for illustrative purpose only*

Series 01  
Termination type Male solder  
IP rating 50  
AWG wire size 0.00 - 0.00  
Cable Ø 0.00 - 0.00 mm  
Status active  
Matching parts [ERA.01.250.DLL](#)

### Download

[Request a quote](#)

[Catalog](#)

## TECHNICAL DETAILS

### Mechanics

Shell Style/Model FLS.01\*: Elbow plug, for cable crimping  
Keying Circular, male  
Housing Material Brass (gold plated [ISO 27874]) shell, collet nut, brass latch sleeve and mid pieces  
Weight 2.28 g

### Performance

Configuration 01.250 : 1 Coax (50 Ohm)  
Insulator  
Rated Current

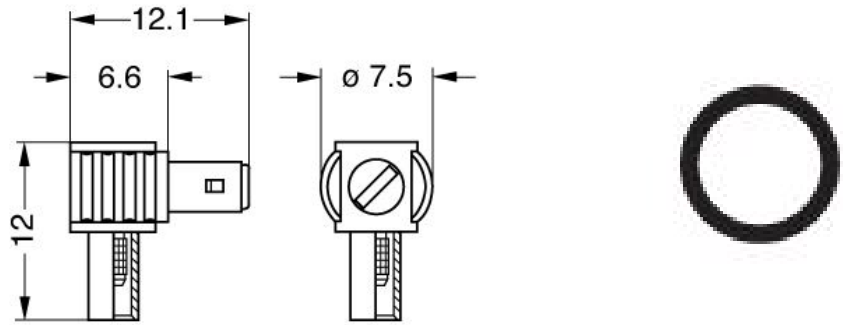
### Specifications

Contact Type: Solder

### Others

Endurance (Shell): 1000 mating cycles

# DRAWINGS



## Dimensions

	A	H	L	M
mm.	7.5	12	12.1	6.6
in.	0,30	0,47	0,48	0,26

---

# RECOMMENDED BY LEMO

## Tools

LEMO products and services are provided "as is". LEMO makes no warranties or representations with regard to LEMO product & services or use of them, express, implied or statutory, including for accuracy, completeness, or security. The user is fully responsible for his products and applications using LEMO components.