

SUMMARY

Wires



Image is for illustrative purpose only

| | |
|------------------|-------------------------|
| Series | 00 |
| Termination type | No contacts / Accessory |
| IP rating | 0 |
| AWG wire size | 0.00 - 0.00 |
| Cable Ø | 0.00 - 0.00 mm |
| Status | active |

Download

[Request a quote](#)

[Catalog](#)

TECHNICAL DETAILS

Mechanics

| | |
|-------------------|--|
| Shell Style/Model | GEA*: Hexagonal nuts |
| Keying | No keying |
| Housing Material | Aluminum alloy (anodized) shell and collet nut, nickel plated [SAE AMS QQ N 290] brass latch sleeve and mid pieces |
| Weight | .53 g |

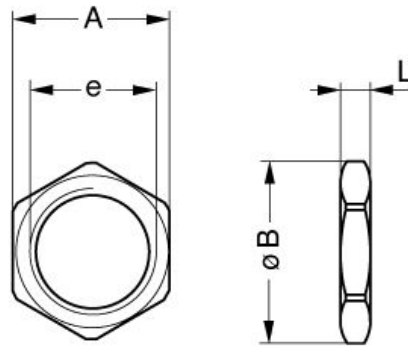
Performance

| |
|---------------|
| Configuration |
| Insulator |
| Rated Current |

Others

LEMO products and services are provided "as is". LEMO makes no warranties or representations with regard to LEMO product & services or use of them, express, implied or statutory, including for accuracy, completeness, or security. The user is fully responsible for his products and applications using LEMO components.

DRAWINGS



No keying

Dimensions

| | A | B | L | e |
|-----|------|------|------|--------|
| mm. | 9 | 10.2 | 2 | M7x0.5 |
| in. | 0,35 | 0,40 | 0,08 | |

RECOMMENDED BY LEMO

Tools

LEMO products and services are provided "as is". LEMO makes no warranties or representations with regard to LEMO product & services or use of them, express, implied or statutory, including for accuracy, completeness, or security. The user is fully responsible for his products and applications using LEMO components.