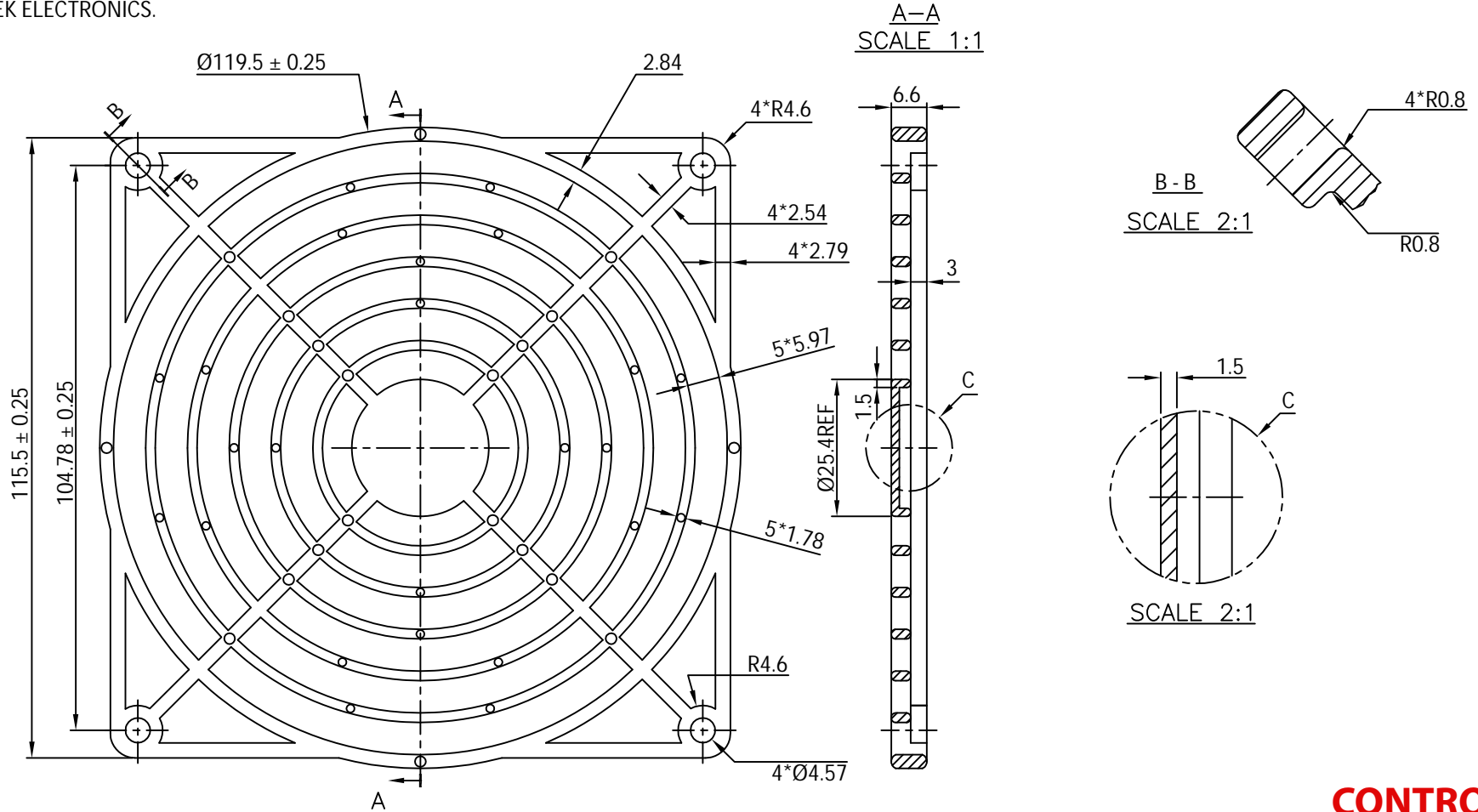


THESE DRAWINGS ARE THE PROPERTY OF QUALTEK ELECTRONICS AND NOT TO BE REPRODUCED FOR OR COMMUNICATED TO A THIRD PARTY WITHOUT THE EXPRESS WRITTEN PERMISSION OF AN OFFICER OF QUALTEK ELECTRONICS.

REVISION			
REV.	DESCRIPTION	DATE	APPROVED
B	RoHS Compliancy	06-01-06	DP
C	Updated Specifications	01-23-08	DP
D	Updated Graphics and Added Dimensions	12-15-15	LY
E	Updated Material Information	03-18-21	LY



NOTES:

MATERIAL: PC 540PG(e) UL94V-0  
RoHS COMPLIANT

**CONTROLLED**

Dim range (mm)	Tolerance +/- (mm)	Qualtek Electronics Corp. FAN-S DIVISION		
		Part Number:	09120-G	RoHS Compliant
0-5	0.3	Description: PLASTIC FAN GUARD		
5-16	0.4		UNIT: mm	REV: E
16-64	0.4		Checked / Date	Approved / Date
64-250	0.4	Drawn / Date	10-17-03	JJH / 10-17-03
250-1000	0.5	B. ZHANG 10-17-03	10-17-03	
1000-1500	1.0			