

DESCRIPTION: M8 MALE - CABLE MOUNT - SOLDER CUP - 5 POS.

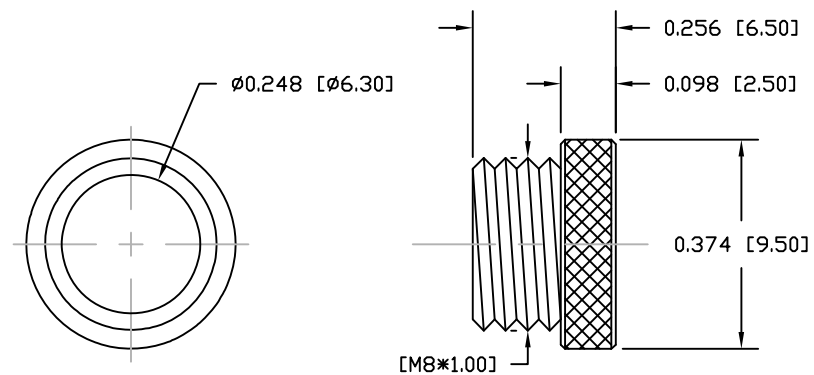
NOTE:

MATERIAL  
 HOUSING: PBT UL94V-0, BLACK  
 CONTACT: BRASS  
 NUT: BRASS  
 SHELL: BRASS

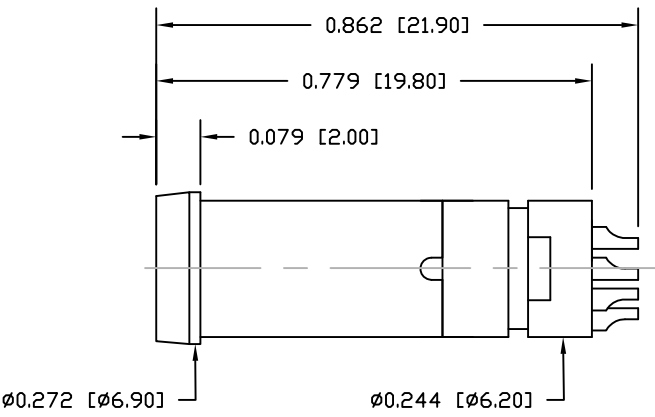
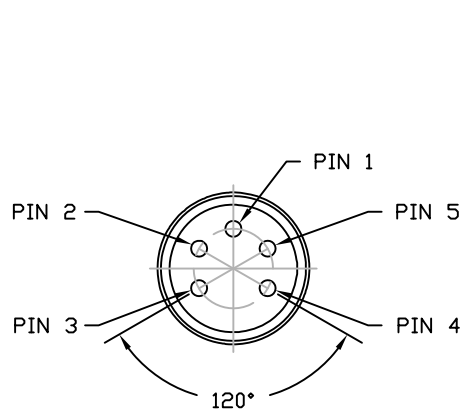
FINISH  
 CONTACT: GOLD PLATED  
 OVER 50μ" NICKEL  
 NICKEL PLATED  
 NICKEL PLATED

ELECTRICAL  
 RATED CURRENT: 1.5A  
 RATED VOLTAGE: 30V  
 INSULATION RESISTANCE: 100 MΩhms MIN.  
 CONTACT RESISTANCE: 10 mΩhms MAX.  
 WATER PROOF: IP67

ENVIRONMENT  
 OPERATION TEMPERATURE: -40°C TO +85°C  
 MAX WIRE AWG: 26

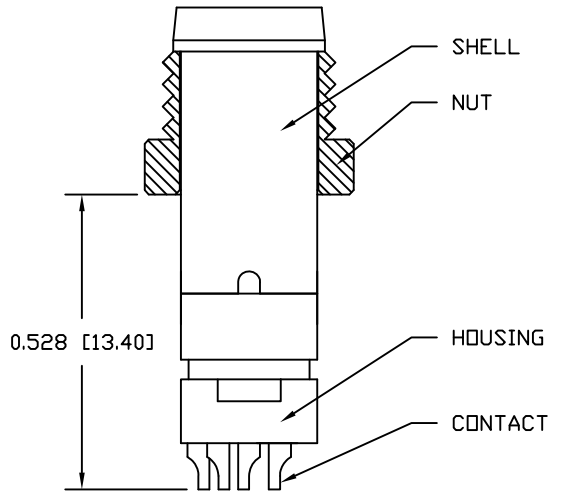


NUT



854-005-103RLSY

1 = GOLD FLASH  
 4 = 10μ" GOLD



RoHS COMPLIANT

UNITS = INCHES [MM]

DO NOT SCALE FROM DRAWING

	THESE DRAWINGS AND SPECIFICATIONS ARE THE PROPERTY OF NorComp AND SHALL NOT BE REPRODUCED, COPIED OR USED AS THE BASIS FOR THE MANUFACTURE OR SALE OF APPARATUS WITHOUT WRITTEN PERMISSION.	DRAWN:	DATE:		SCALE:	SHEET	OF	REV
		M. SIGMON	03-04-16		NTS	1	1	4
					DWG NO.	854-005-103RLSY		