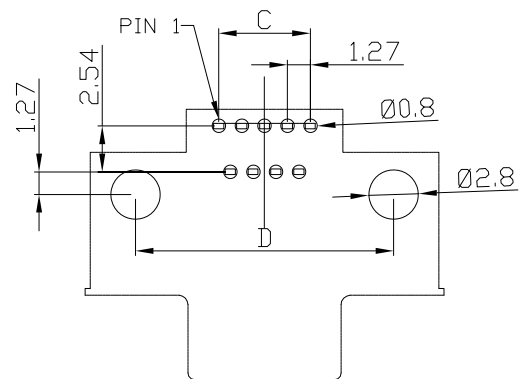


NESTED
PLUG
CONTACT



P.C.B. LAYOUT

NOTE:

MATERIAL

INSULATOR
CONTACT

LCP UL94V-0, BLACK
BRASS
15u" GOLD PLATING MATING AREA
60u" TIN SOLDER AREA
FRONT SHELL
STEEL, NICKEL 60u"-100u"
BACK SHELL
BRASS, NICKEL 60u"-100u"
BOARD LOCK
BRASS, NICKEL 60u"-100u"

ELECTRICAL

RATED CURRENT 2A
VOLTAGE 60VDC
INSULATOR RESISTANCE 1000 MOhms MIN.
CONTACT RESISTANCE 30 mOhms MAX.

ENVIRONMENT

OPERATION TEMPERATURE -40°C TO +125°C
PROCESS TEMPERATURE 260°C

*NOT DESIGNED TO MATE WITH NORCOMP 380 // 381 // 960 SERIES & NORCOMP MICRO-D CABLE ASSEMBLIES USING THE 960 SERIES CONNECTORS.

**DESIGNED TO MATE WITHIN NORCOMP 58Y-M SERIES MICRO-D CONNECTORS

| DIMENSIONS(mm) | | | | | |
|----------------|-------|-------|-------|-------|-------|
| SIZE | A | B | C | D | E |
| 9 | 19.93 | 14.35 | 5.08 | 14.35 | 8.30 |
| 15 | 23.75 | 18.20 | 8.89 | 18.16 | 12.20 |
| 25 | 30.10 | 24.55 | 15.24 | 24.51 | 18.55 |

581-MYY-113L461

SERIES _____
581 = MACHINED MICRO-D
MACHINED _____
POSITIONS _____
09 _____
15 _____
25 _____
GENDER _____
1 = MALE - SOLID PIN CONTACTS
RIGHT ANGLE SOLDER TERMINATION _____
CONTACT PLATING OPTIONS _____
1 = 15u" GOLD PLATING
2 = 30u" GOLD PLATING

RoHS COMPLIANT



THESE DRAWINGS AND SPECIFICATIONS ARE THE PROPERTY OF NorComp AND SHALL NOT BE REPRODUCED, COPIED OR USED AS THE BASIS FOR THE MANUFACTURE OR SALE OF APPARATUS WITHOUT WRITTEN PERMISSION.

DRAWN:
J. KADEL
DATE:
05/14/2020

TOLERANCES
.x ±0.20
.xx ±0.15
.xxx ±0.10
.xxxx ±0.05
ANGULAR ±1°

UNITS = mm

DO NOT SCALE FROM DRAWING

NorComp

| | | | |
|-----------------------------------|------------|---------|----------|
| SCALE: NTS | SHEET 1 | OF 1 | REV 4 |
| DWG NO. 581-MYY-113L461 | | | |