

1

2

3

4

5

6

7

A

B

C

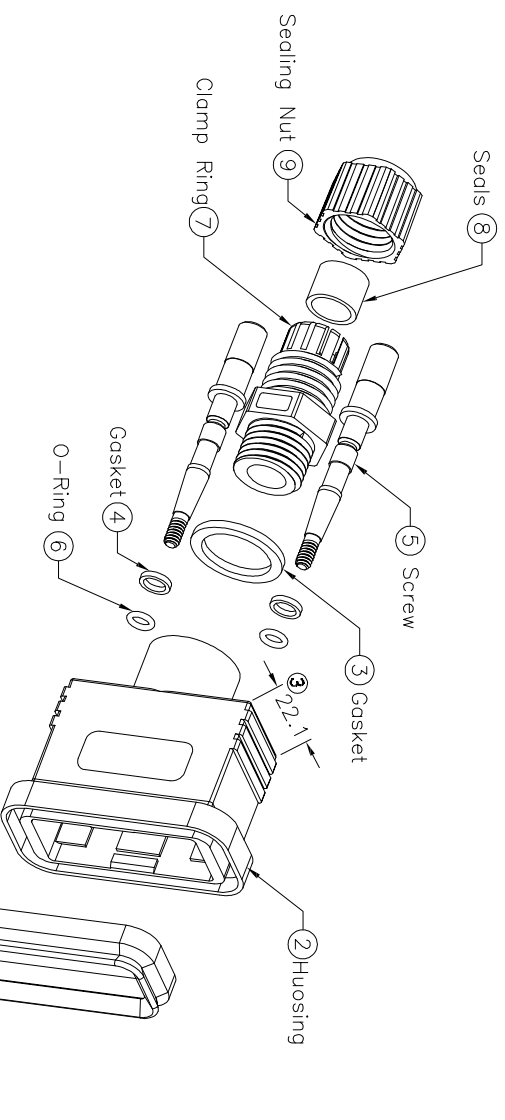
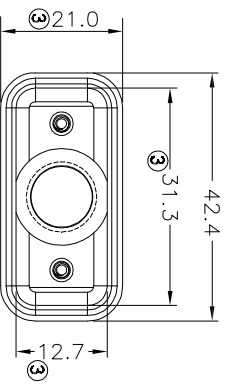
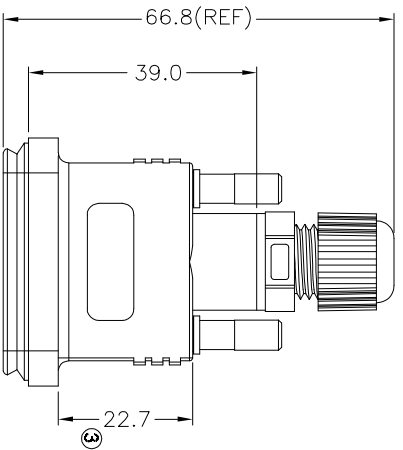
D

E

F

G

H



- NOTES:**
1. Waterproof rate: IP67
  2. Gasket: EPDM Black
  3. Housing: ABS Black
  4. Screw: Brass
  5. O-ring: Silicone Clear
  6. Body: Nylon Black
  7. Sealing Nut: Nylon Black
  8. Seals for Cable OD:  $\phi 3.5\text{mm}-\phi 7.0\text{mm}$
  9. One Set Unassembled in One Zipper Bag

**ROHS compliant**  
Unit: mm

Scale	Free								
TOLERANCE									
UNIT	±0.5	④	Cancel "A" logo	03.04.2018	Tom	Drawn	08.01.2009	JACK	
DIM	TOL	③	Correct dimensions and add "A" logo	27.07.2017	Amy	Approved	03.04.2018	Amy	
		②	Modify drawing	25.12.2009	Dean				
		①	Drawn	31.12.2008	JACK				
Angle	TOL		Modification						

Customer-No.

ASSMANN WSW-No.

A-HOOD-09/15

Drawing-No.

ASS 3292 CO rev04

Replace

Sheet

1

2

3

4

5

6

7

A

B

C

D

E

F

G

H