

1

2

3

4

5

6

7

A

A

B

B

C

C

D

D

E

E

F

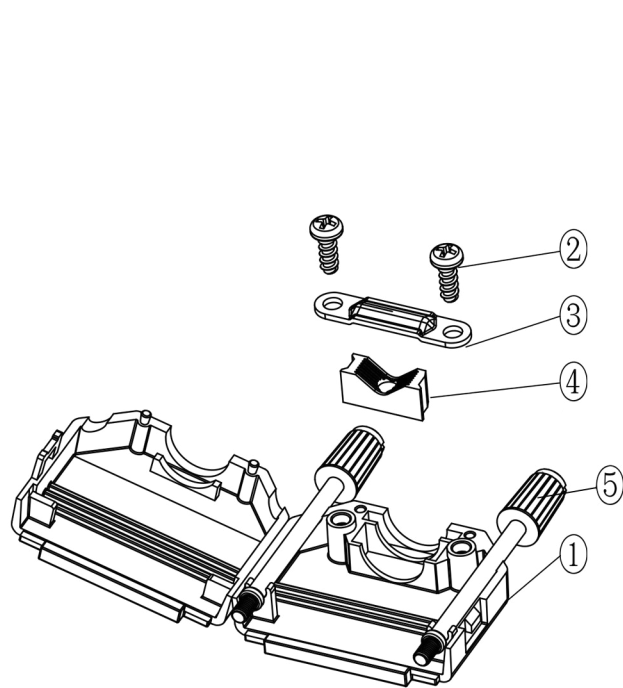
F

G

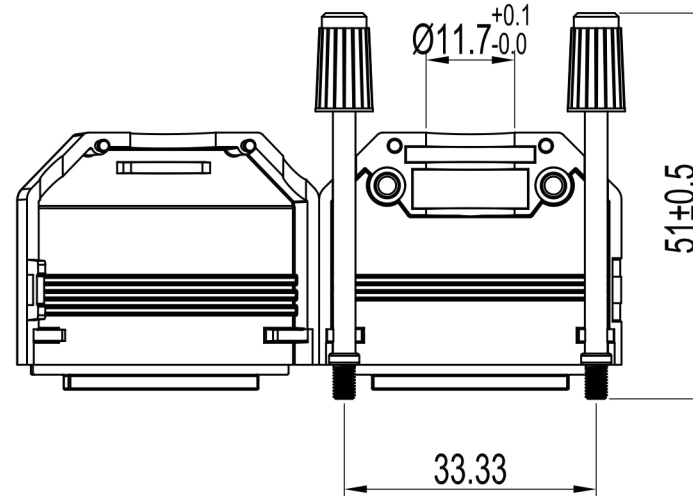
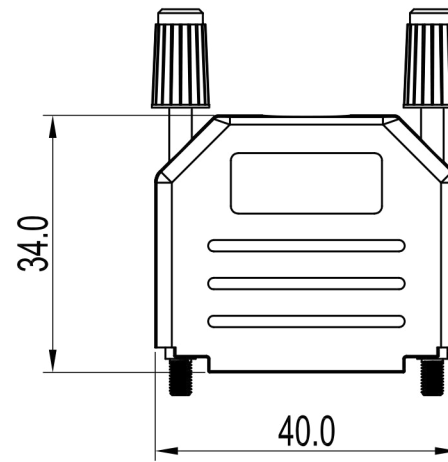
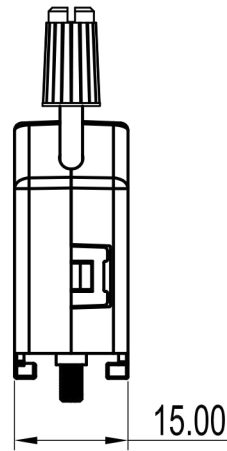
G

H

H



Item	QTY	Part description
1	1	Plastic Cover
2	2	EPS 3x8 Self Tapping Screw
3	1	Cable Clamp
4	1	Plastic Insert
5	2	Jackscrews UNC4-40x51mm




TECHNICAL SPECIFICATIONS

Material: Plastic (PA), UL94-HB
 Colour: Green
 Operating Temperature: -55°C to +110°C
 Thumbscrews: UNC 4-40

No. of contacts: 09-15-25-37-50

RoHS compliant
 Unit: mm

Scale	Free					Date	Name	Customer-No.
TOLERANCE						Drawn	17.08.2017	S.Bölling
0~6	±0.10					Approved	17.08.2017	S.Bölling
6~30	±0.20							
30~120	±0.30							
120~400	±0.50	1	Update Dimension (page 5)	01.04.2019	M.Rosander			
DIM	Tol	Ⓢ	Drawn	17.08.2017	S.Bölling			
Angle	±1°							
Angle	Tol	ld.	Modification	Date	Name			

Customer-No.
 ASSMANN WSW-No.
ACOV-SUB-15NB18

Drawing-No.
ASS_5259_CO rev01
 Replace
 Sheet 2/5

1

2

3

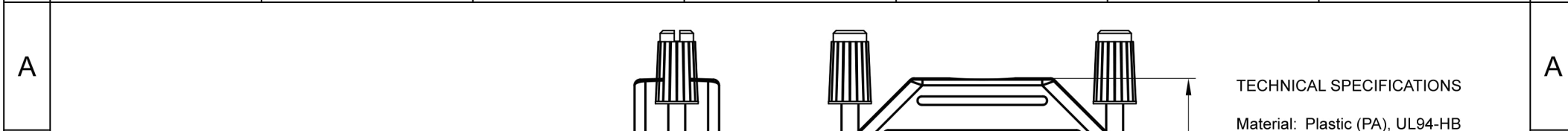
4

5

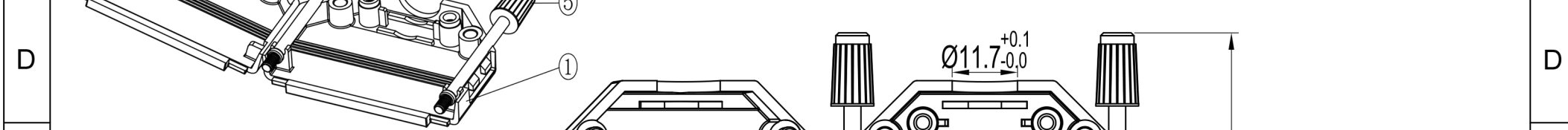
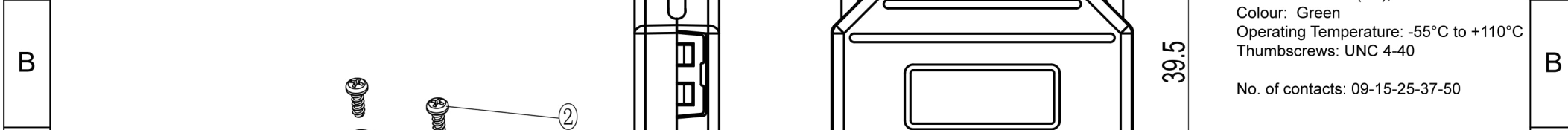
6

7

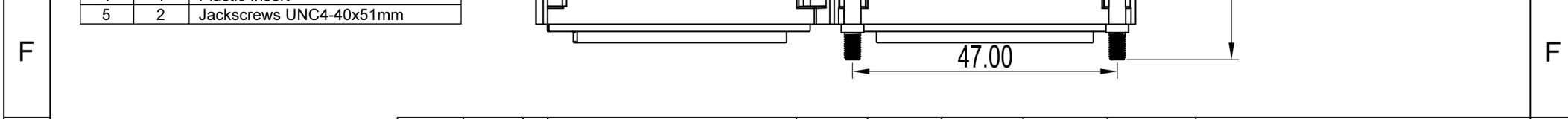
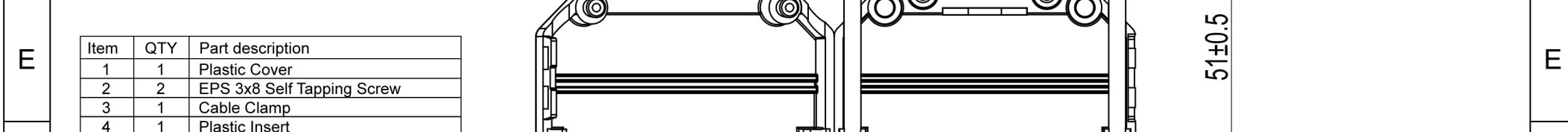
SV4382



TECHNICAL SPECIFICATIONS
 Material: Plastic (PA), UL94-HB
 Colour: Green
 Operating Temperature: -55°C to +110°C
 Thumbscrews: UNC 4-40
 No. of contacts: 09-15-25-37-50



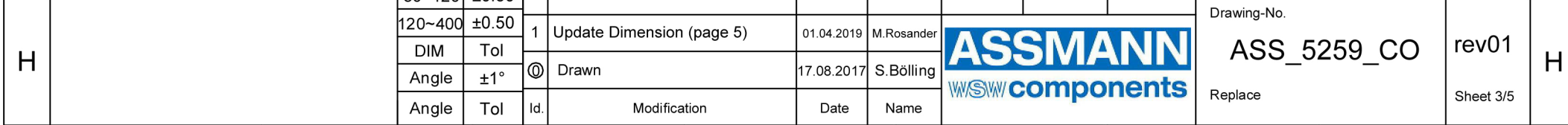
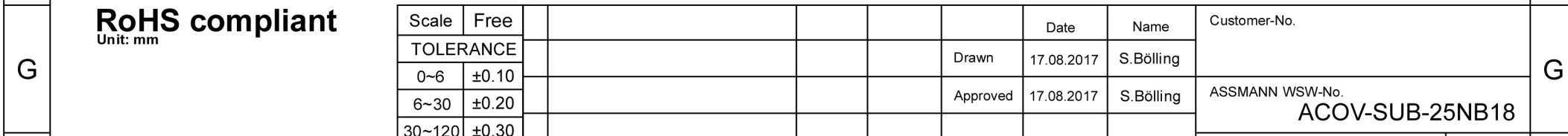
Item	QTY	Part description
1	1	Plastic Cover
2	2	EPS 3x8 Self Tapping Screw
3	1	Cable Clamp
4	1	Plastic Insert
5	2	Jackscrews UNC4-40x51mm



RoHS compliant
 Unit: mm

Scale	Free					Date	Name	Customer-No.
TOLERANCE						Drawn	17.08.2017	S.Bölling
0~6	±0.10					Approved	17.08.2017	S.Bölling
6~30	±0.20							
30~120	±0.30							
120~400	±0.50	1	Update Dimension (page 5)	01.04.2019	M.Rosander			
DIM	Tol	Ⓞ	Drawn	17.08.2017	S.Bölling			
Angle	±1°							
Angle	Tol	ld.	Modification	Date	Name			

ASSMANN WSW-No.
ACOV-SUB-25NB18

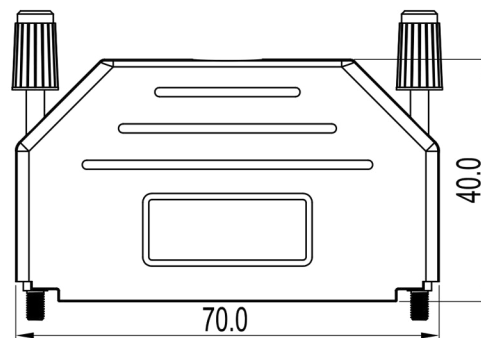
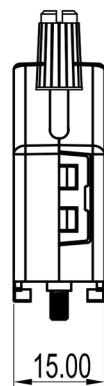
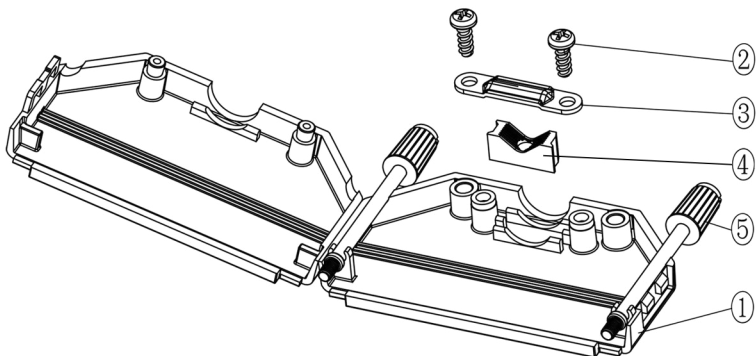


Drawing-No.
ASS_5259_CO rev01
 Sheet 3/5

1 2 3 4 5 6 7

A B C D E F G H

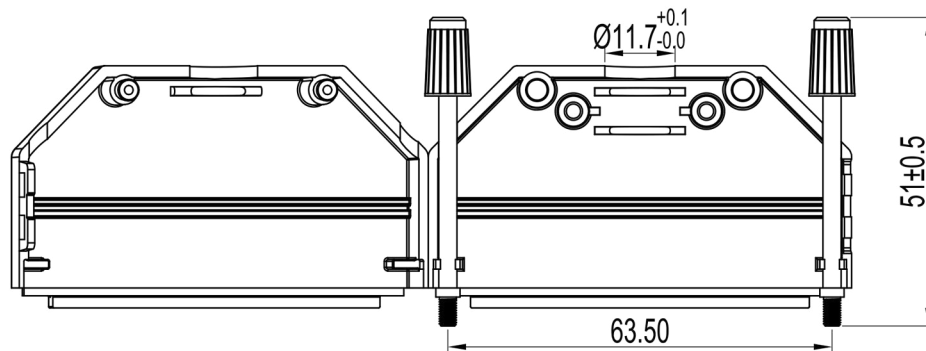
A B C D E F G H



TECHNICAL SPECIFICATIONS

Material: Plastic (PA), UL94-HB
 Colour: Green
 Operating Temperature: -55°C to +110°C
 Thumbscrews: UNC 4-40
 No. of contacts: 09-15-25-37-50

Item	QTY	Part description
1	1	Plastic Cover
2	2	EPS 3x8 Self Tapping Screw
3	1	Cable Clamp
4	1	Plastic Insert
5	2	Jackscrews UNC4-40x51mm



RoHS compliant
 Unit: mm

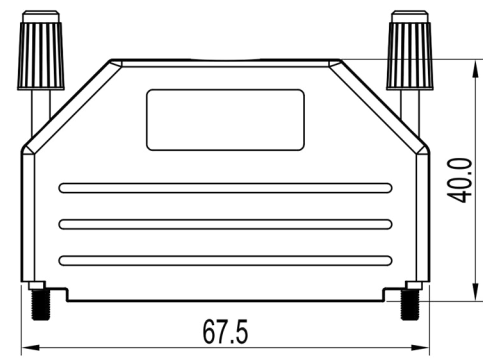
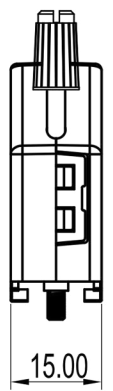
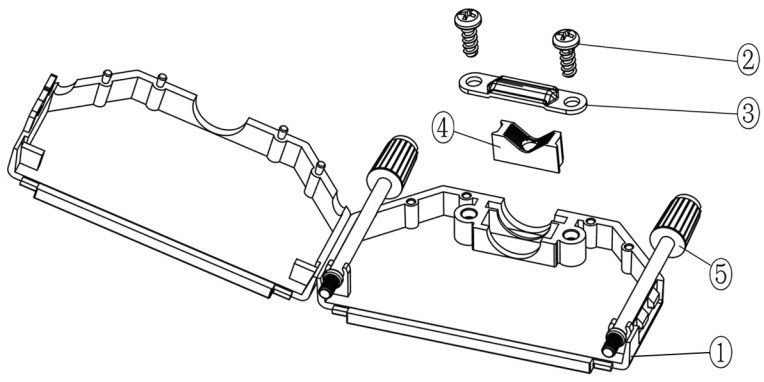
Scale	Free				Date	Name	Customer-No.
TOLERANCE					Drawn	17.08.2017	S.Bölling
0~6	±0.10				Approved	17.08.2017	S.Bölling
6~30	±0.20						
30~120	±0.30						
120~400	±0.50	1	Update Dimension (page 5)	01.04.2019	M.Rosander		
DIM	Tol	Ⓞ	Drawn	17.08.2017	S.Bölling	ASSMANN WSW-No. ACOV-SUB-37NB18	
Angle	±1°					Drawing-No. ASS_5259_CO	rev01
Angle	Tol	Id.	Modification	Date	Name	Replace	Sheet 4/5



1 2 3 4 5 6 7

A
B
C
D
E
F
G
H

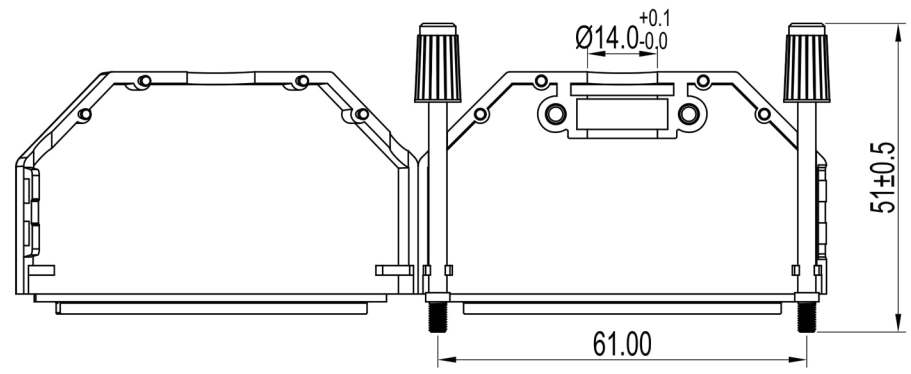
A
B
C
D
E
F
G
H



TECHNICAL SPECIFICATIONS

Material: Plastic (PA), UL94-HB
 Colour: Green
 Operating Temperature: -55°C to +110°C
 Thumbscrews: UNC 4-40
 No. of contacts: 09-15-25-37-50

Item	QTY	Part description
1	1	Plastic Cover
2	2	EPS 3x8 Self Tapping Screw
3	1	Cable Clamp
4	1	Plastic Insert
5	2	Jackscrews UNC4-40x51mm



RoHS compliant
 Unit: mm

Scale	Free				Date	Name	Customer-No.
TOLERANCE					Drawn	17.08.2017	S.Bölling
0~6	±0.10				Approved	17.08.2017	S.Bölling
6~30	±0.20						
30~120	±0.30						
120~400	±0.50	1	Update Dimension (page 5)	01.04.2019	M.Rosander		
DIM	Tol	Ⓞ	Drawn	17.08.2017	S.Bölling	ASSMANN WSW components ASS_5259_CO rev01 Replace Sheet 5/5	
Angle	±1°						
Angle	Tol	ld.	Modification	Date	Name		

Customer-No.		
ASSMANN WSW-No.		ACOVSUB-50NB18
Drawing-No.		ASS_5259_CO rev01
Replace		Sheet 5/5