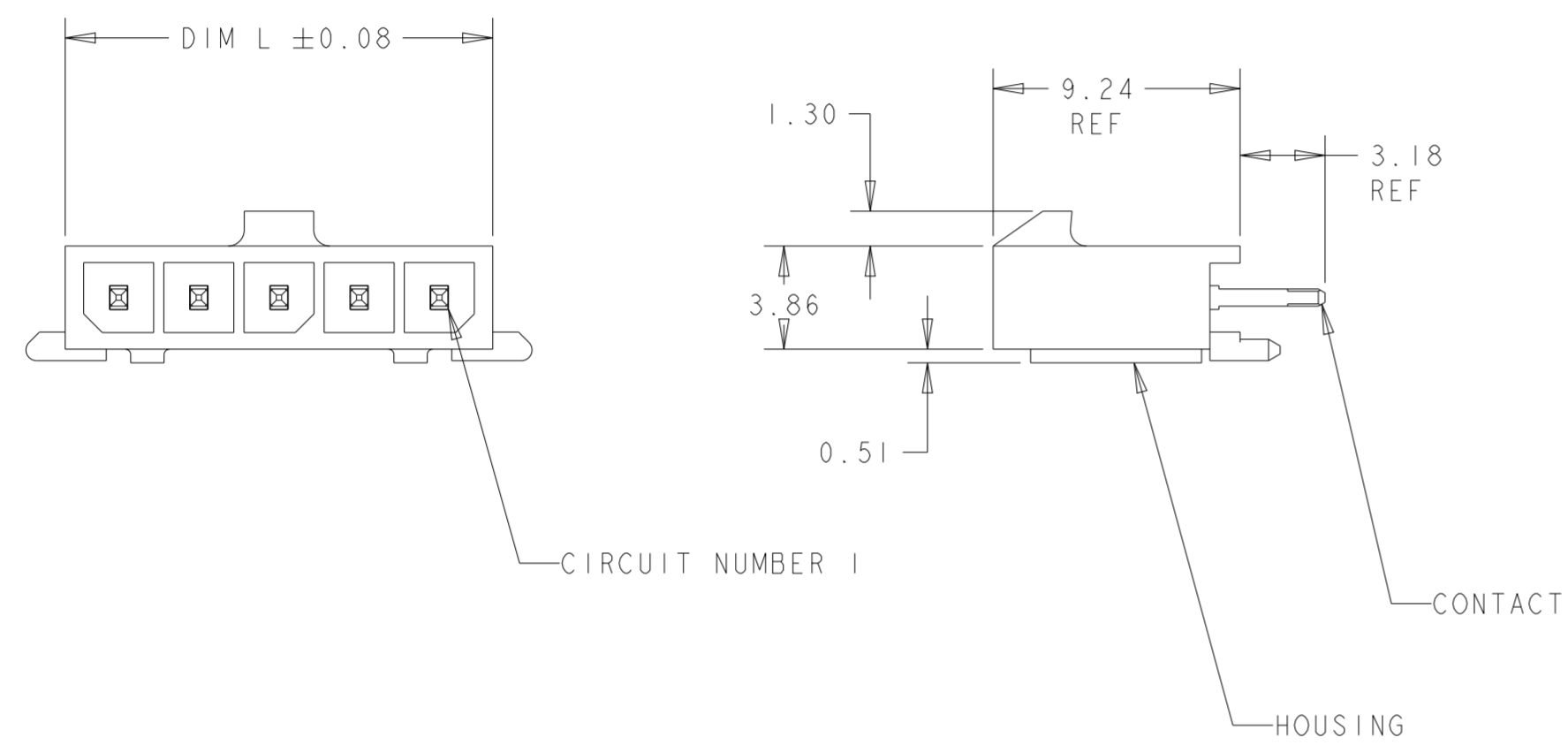
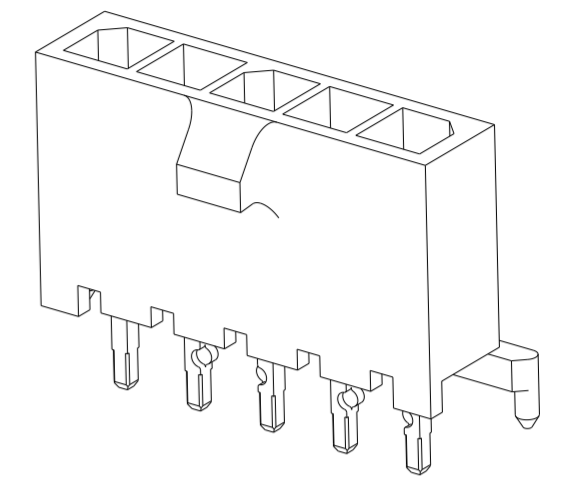
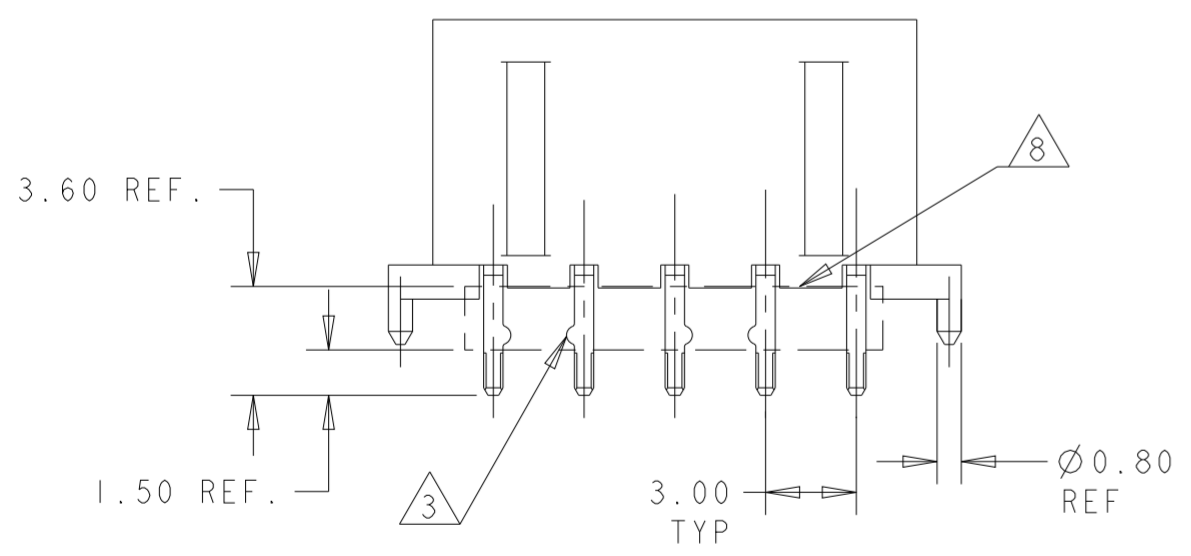


THIS DRAWING IS UNPUBLISHED. RELEASED FOR PUBLICATION 20  
 © COPYRIGHT 20 BY - ALL RIGHTS RESERVED.

REVISIONS					
P	LTR	DESCRIPTION	DATE	DWN	APVD
B5		REVISED PER ECR-16-011494	20JUN2017	NK	CX
B6		ECO-19-006934	13MAY2019	AP	WS
B7		REVISED PER ECN-22-139652	17FEB2022	WLS	VS
B8		REVISED PER ECN-22-162091	01JUL2022	WLS	VS



- 1 MATERIAL: HOUSING - UL 94V-0 RATED HIGH TEMP NYLON, COLOR BLACK.  
CONTACTS - BRASS
- 2 RECOMMENDED PC BOARD THICKNESS OF 1.57.
- 3 RETENTION BUMP FEATURES FACE EACH OTHER, TYPICAL ALL CONFIGURATIONS.
- 4 PLATING: CONTACTS - 2.54µm MINIMUM MATTE TIN OVER 1.27µm MINIMUM NICKEL.
- 5 SELECTIVE LOADED CONFIGURATION.
- 6 COUNTERPART RECOMMENDED IS PN 1445022 OR 2008571 (DASH ACCORDING TO NUMBER OF POSITION.
- 7 FOR REELING DIRECTION AND PACKAGING TYPE, SEE SPECIFICATION 114-13000.
- 8 CUTTING EDGE, NO PLATING PRESENT IN THE REGION SHOWN.



5	
1	4
7	10
1, 4, 7, 10	4-1445050-0
PIN INSERTED	PART NUMBER

5	CON POS W/RET BUMP 3	DIM Z	DIM V	DIM L	NO. OF POSN	PART NUMBER
1, 4, 7, 10	27.00	33.14	31.00	10	4-1445050-0	
1, 2, 11, 12	33.00	39.14	37.00	12	3-1445050-2	
1, 2, 9, 10	30.00	36.14	34.00	11	3-1445050-1	
1, 2, 9, 10	27.00	33.14	31.00	10	3-1445050-0	
1, 2, 7, 8	24.00	30.14	28.00	9	2-1445050-9	
1, 2, 7, 8	21.00	27.14	25.00	8	2-1445050-8	
1, 2, 5, 6	18.00	24.14	22.00	7	2-1445050-7	
1, 2, 5, 6	15.00	21.14	19.00	6	2-1445050-6	
1, 2, 3, 4	12.00	18.14	16.00	5	2-1445050-5	
1, 2, 3, 4	9.00	15.14	13.00	4	2-1445050-4	
1, 2	6.00	12.14	10.00	3	2-1445050-3	
1, 2	3.00	9.14	7.00	2	2-1445050-2	

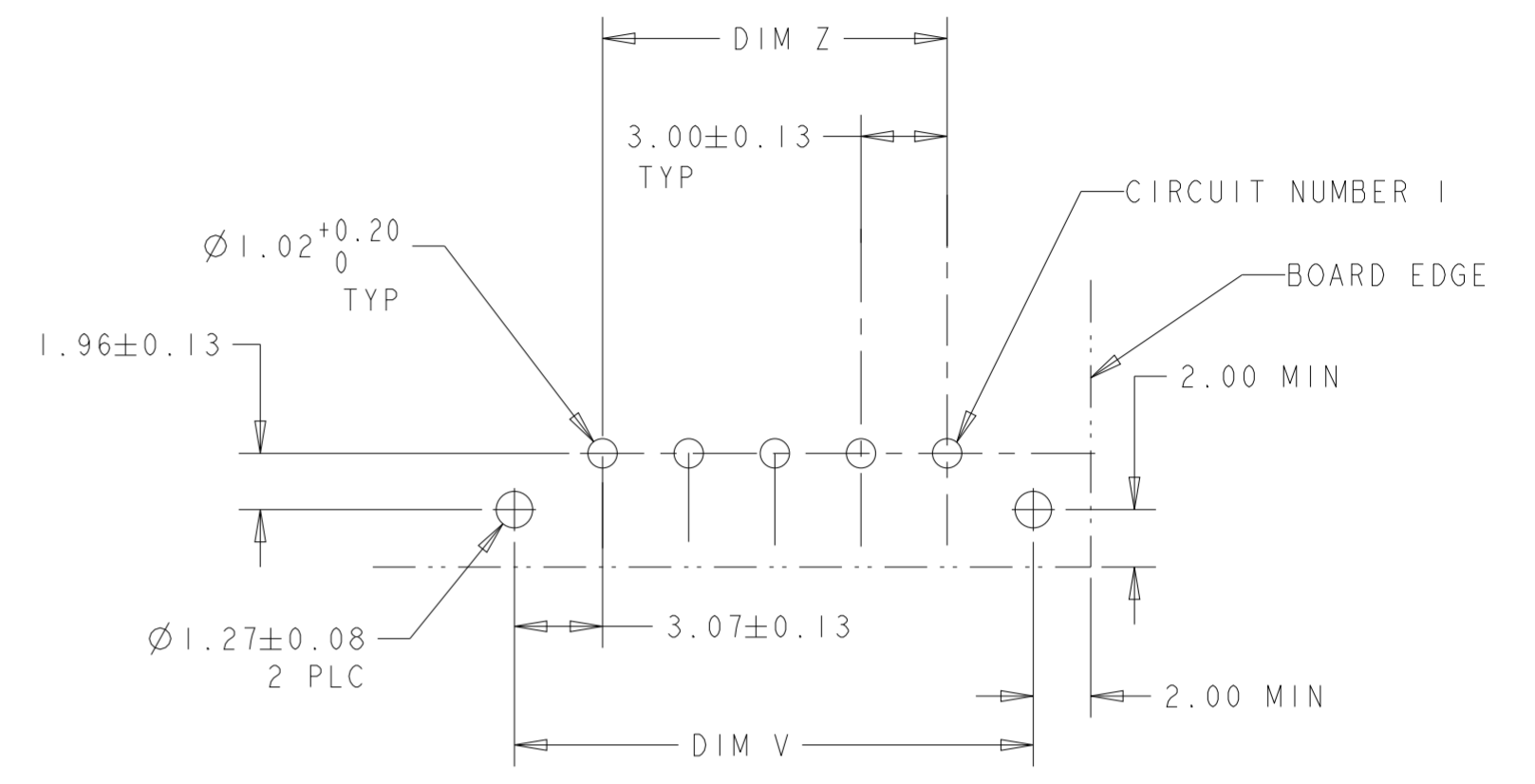
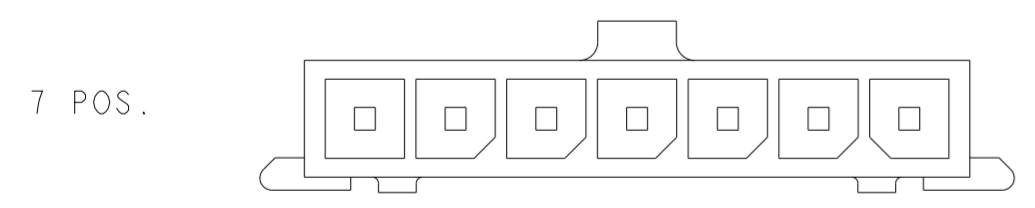
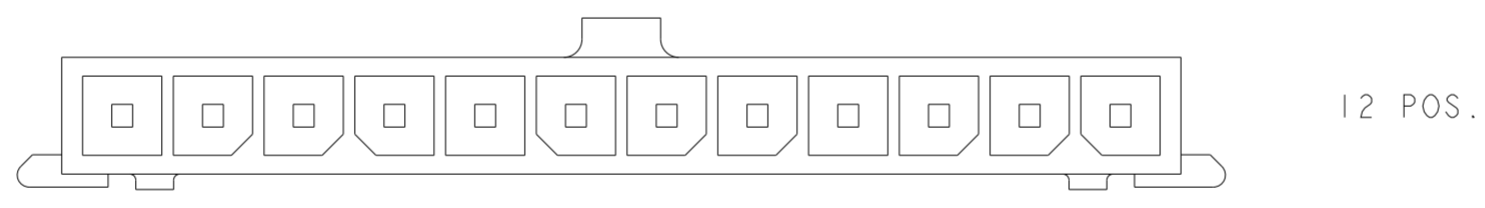
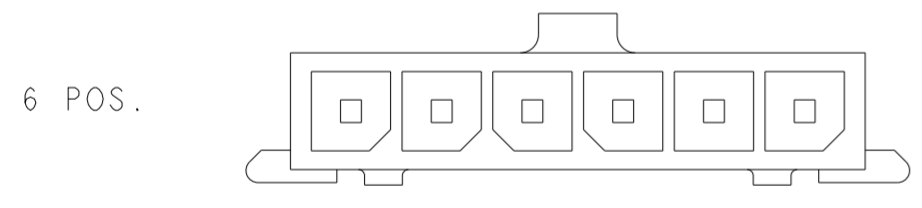
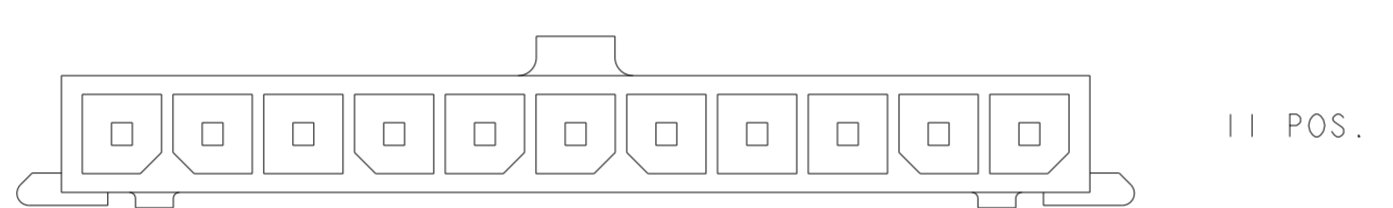
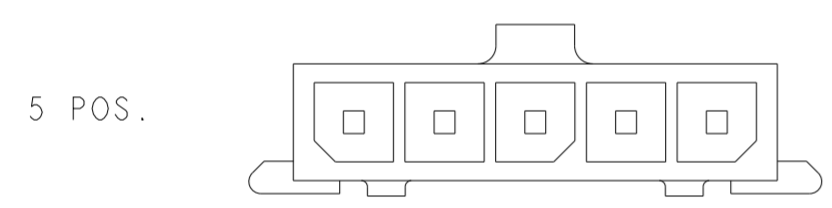
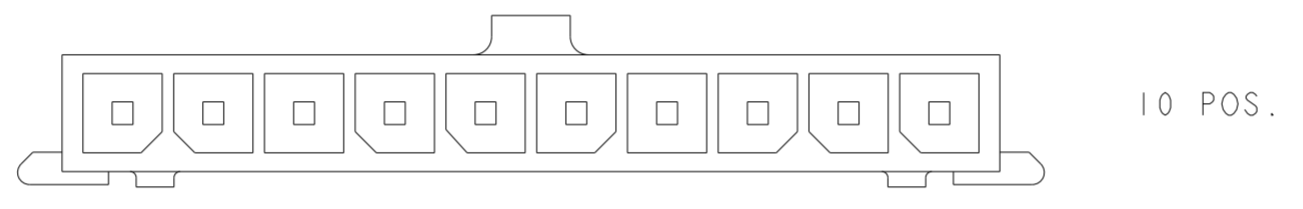
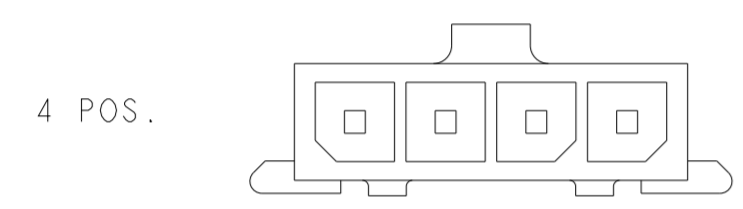
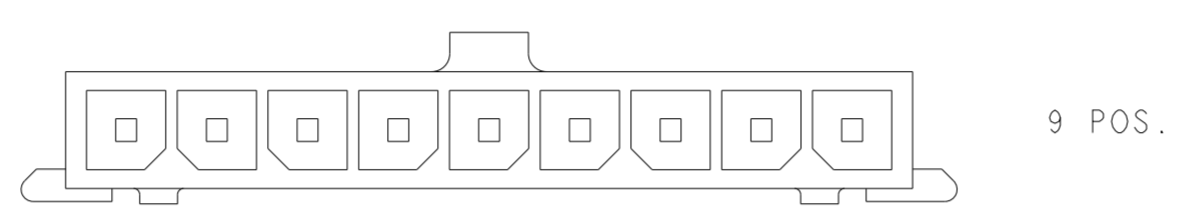
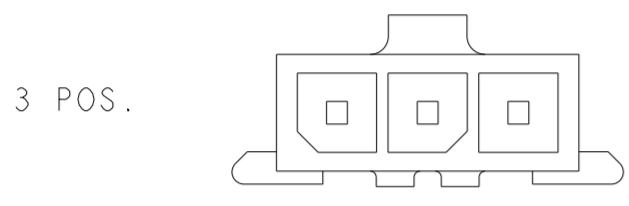
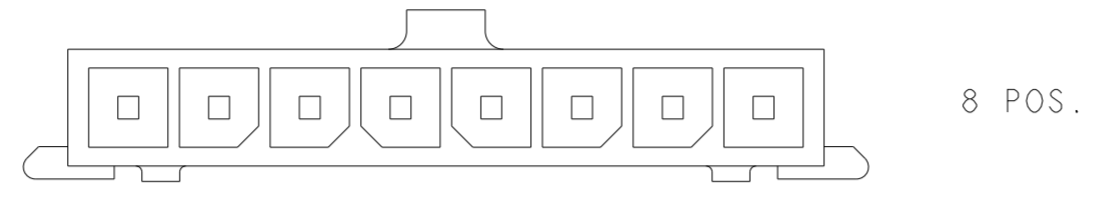
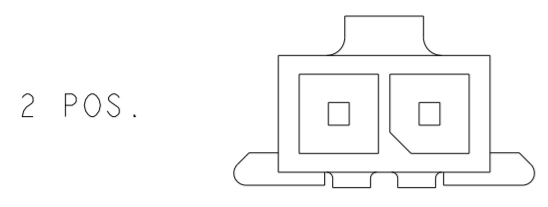
THIS DRAWING IS A CONTROLLED DOCUMENT.

DIMENSIONS: mm	TOLERANCES UNLESS OTHERWISE SPECIFIED: 0 PLC ± 1 PLC ± 2 PLC ±0.20 3 PLC ± 4 PLC ± ANGLES ±1° FINISH	DWN J. ROOT 08OCT2000 CHK K. WHITAKER 19OCT2000 APVD K. WHITAKER 12-MAR-2001 PRODUCT SPEC 108-1836 APPLICATION SPEC 114-13000 WEIGHT -	NAME VERTICAL THRU HOLE HEADER ASSY, TIN CONTACTS W/PCB POLARIZATION FEATURE, SINGLE ROW, MICRO MATE-N-LOK™ SIZE A2 CAGE CODE 00779 DRAWING NO C-1445050 RESTRICTED TO -
MATERIAL 1	4	CUSTOMER DRAWING	SCALE 5:1 SHEET 1 OF 2 REV B8

STE TE Connectivity

THIS DRAWING IS UNPUBLISHED. RELEASED FOR PUBLICATION 20  
 © COPYRIGHT 20 BY - ALL RIGHTS RESERVED.

REVISIONS				
P	LTR	DESCRIPTION	DATE	APVD
-	-	SEE SHEET 1	-	-



KEYING BY POSITION SIZE

THIS DRAWING IS A CONTROLLED DOCUMENT.		DWN J. ROOT 08OCT2000	TE Connectivity			
DIMENSIONS: mm		CHK K. WHITAKER 19OCT2000				
TOLERANCES UNLESS OTHERWISE SPECIFIED:		APVD K. WHITAKER 12-MAR-2001	NAME VERTICAL THRU HOLE HEADER ASSY, TIN CONTACTS W/PCB POLARIZATION FEATURE, SINGLE ROW, MICRO MATE-N-LOK			
		PRODUCT SPEC 108-1836	SIZE A2	CAGE CODE 00779	DRAWING NO 1445050	RESTRICTED TO -
MATERIAL -		APPLICATION SPEC 114-13000	SCALE 5:1		SHEET 2 OF 2	REV B8
FINISH -		WEIGHT -	CUSTOMER DRAWING			