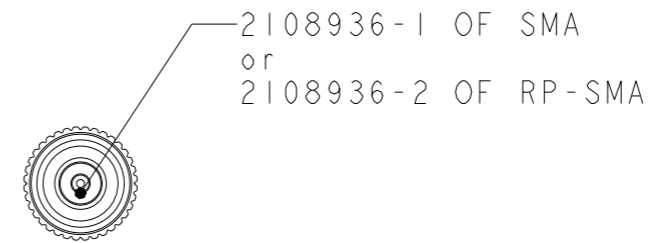
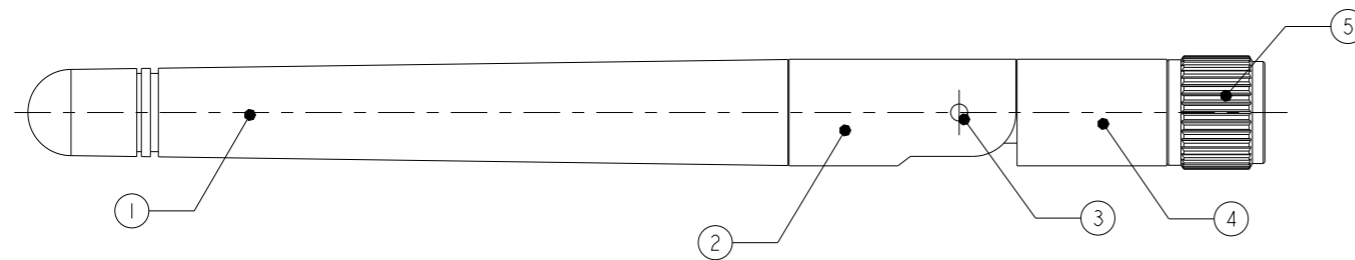
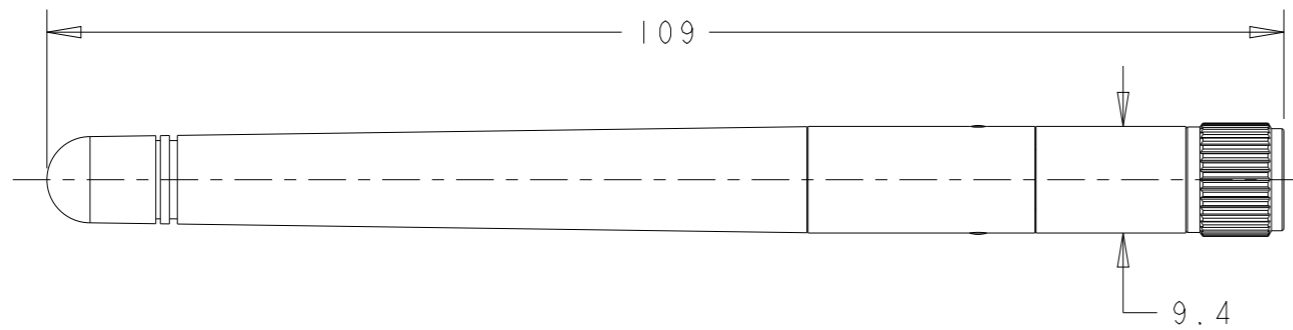


REVISIONS

P	LTR	DESCRIPTION	DATE	DWN	APVD
	I	REVISED	08AUG2021	SJ	CY
	A	REVISED	19AUG2021	SJ	CY



- NOTES
- MATERIAL : SEE TABLE 1.
 - PACKAGING : BAG WRAPPED PACKAGE IN BULK.
 - SPECIFICATION
 - A. FREQUENCY : 2.4~2.5Ghz & 5.15~5.85Ghz
 - B. VSWR : <=2.0:1
 - C. GAIN 2.4Ghz: 2.2dBi/ 5Ghz : 3.7dBi
 - D. IMPEDANCE : 50 ohm
 - E. POLARIZATION : VERTICAL
 - F. OPERATING TEMP : -30°C TO +70°C
 - STORAGE TEMP : -30°C TO +70°C

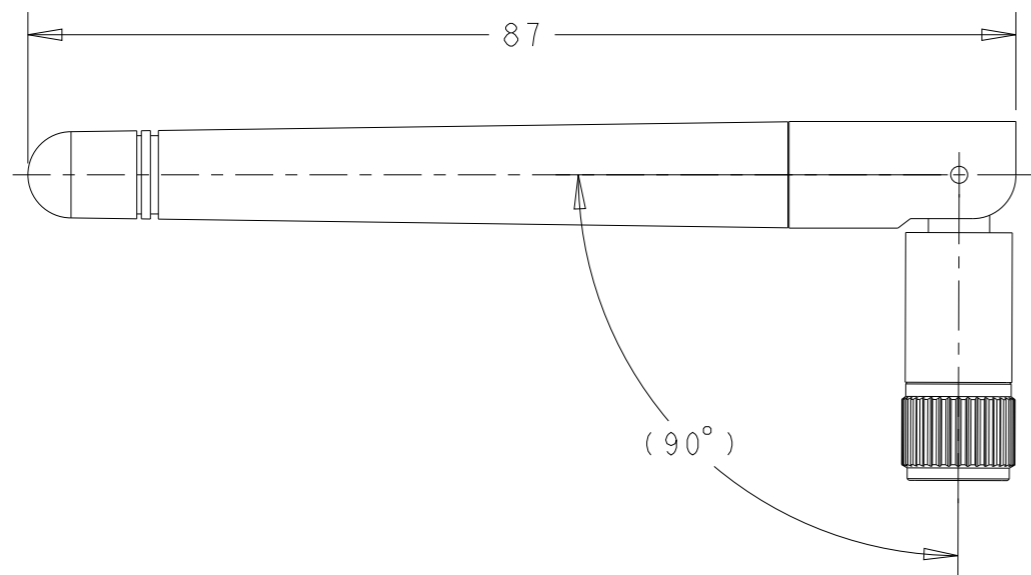


TABLE 1

TE P/Ns	2108936-2	2108936-1				
	1	-	SHELL(BLACK)	RP-SMA PLUG ASSY	CONNECTOR ASSY	5
	-	1	SHELL(BLACK)	SMA PLUG ASSY	CONNECTOR ASSY	5
	1	1	BLACK	ABS	BOTTOM BASE	4
	2	2	BLACK	POM	RIVET	3
	1	1	BLACK	ABS	UPPER BASE	2
	1	1	BLACK	TPEE	ANTENNA CAP	1
	Q'TY	Q'TY	COLOR/FINISH	MATERIAL	DESCRIPTION	ITEM

THIS DRAWING IS A CONTROLLED DOCUMENT.		DWN SJ.NOH 21JUL2021	TE TE Connectivity			
DIMENSIONS: mm		CHK H.SHIN 21JUL2021				
TOLERANCES UNLESS OTHERWISE SPECIFIED: ±0.1		APVD CY.PARK 21JUL2021	NAME WLAN Dual Band Terminal Antenna			
0 PLC ±-		PRODUCT SPEC	-			
1 PLC ±-		APPLICATION SPEC	-			
2 PLC ±-		WEIGHT	-			
3 PLC ±-		CUSTOMER DRAWING	SIZE A3	CAGE CODE 00779	DRAWING NO C-2108936	RESTRICTED TO -
4 PLC ±-		FINISH	SCALE 3:2	SHEET 1 OF 1	REV A	
ANGLES ±-		MATERIAL TBD				
-		finish_spec_2				