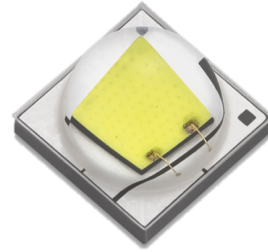


## High Power White LEDs

# SST-40-WxS



### Table of Contents

Ordering Part Numbers. . . . .2

Binning Information. . . . .3

Chromaticity Binning  
Structure . . . . .4

Product Characteristics. . . . .6

Soldering Profile . . . . .9

Precautions for Use. . . . . 10

Mechanical Dimensions . . 11

Tape and Reel . . . . . 12

Packaging and Labeling . . 13

History of Changes. . . . . 15

### Features

- High brightness cool white LEDs with maximum output in excess of 1900 lm @ 6 A, 85°C.
- High lumen density of monolithic emitter, up to 515 lm/mm<sup>2</sup>(6500K), ideal for maximizing the optical efficiency in high-output, beam pattern critical lighting applications.
- Maximum Drive Current: 6 A
- Luminous Efficacy: typ. 183 lm/W @ 700 mA, 85°C (6500K)
- Color Temperature: 5000K, 5700K, 6500K, 7500K
- Color Rendering Index: min. 65, typ. 70
- Low thermal resistance: 0.8°C/W
- ANSI-compatible chromaticity bins
- Electrically isolated thermal path
- 8 kV HBM ESD rating per ANSI/ESDA/JEDEC JS-001
- RoHS and REACH compliant

### Applications

- Portable Lights
- Bicycle Lights
- Automotive Auxiliary Lights
- LED Work Lights
- Outdoor and Roadway Lighting
- High Bay Industrial Lighting

## Ordering Part Numbers

CCT	Minimum Flux Bin <sup>1</sup>	Minimum Flux (lm)	Chromaticity Bin Kit Code <sup>2</sup>	Ordering Part Numbers
5000K	N4	594	501	SST-40-WDS-F50-N4501
			502	SST-40-WDS-F50-N4502
	N5	634	501	SST-40-WDS-F50-N5501
			502	SST-40-WDS-F50-N5502
5700K	N4	594	571	SST-40-WDS-F50-N4571
			572	SST-40-WDS-F50-N4572
	N5	634	571	SST-40-WDS-F50-N5571
			572	SST-40-WDS-F50-N5572
6500K	N5	634	651	SST-40-WCS-F50-N5651
			652	SST-40-WCS-F50-N5652
	P2	673	651	SST-40-WCS-F50-P2651
			652	SST-40-WCS-F50-P2652
7500K	N3	554	751	SST-40-WCS-F50-N3751
	N4	594		SST-40-WCS-F50-N4751

### Notes

1. The Ordering Part Number specifies the Minimum Flux Bin in shipment; higher flux bins may be shipped without advance notice. Please refer to 'Luminous Flux Binning' table for details of all flux bins.
2. Shipments always adhere to the color bins specified in each Chromaticity Bin Kit. See 'Chromaticity Bin Kit Codes' table for the color bins included in each Bin Kit.

## Part Number Nomenclature

SST — 40 — W<x> — <F50> — <ffcc>

Product Family	Light Emission Area	Light Color	Package Configuration	Bin Kit
<b>S:</b> Surface Mount <b>S:</b> Dome Lensed <b>T:</b> Single Emitter	<b>40:</b> 4.0 mm <sup>2</sup>	<b>W:</b> White <x> Color Temperature <b>C:</b> Cool White <b>D:</b> Daylight White <y> CRI Category Code <b>S:</b> CRI>65	<b>F50:</b> Package Code	<ff> Minimum Flux Bin, see 'Luminus Flux Binning' table for details <ccc> Chromaticity Bin Kit, see 'Chromaticity Bin Kit Codes' table for details

## Luminous Flux Binning

Flux Bin Code	Binning @ 1500 mA, T <sub>j</sub> =85°C <sup>1</sup>		@ 700 mA, T <sub>j</sub> =25°C <sup>2</sup>	Correlated Minimum Flux (lm) @ T <sub>j</sub> =85°C <sup>2</sup>				
	Minimum Flux (lm)	Maximum Flux (lm)	Minimum Flux (lm)	700 mA	2000 mA	3000 mA	5000 mA	6000 mA
N3	554	594	316	283	709	986	1446	1640
N4	594	634	339	303	760	1057	1550	1758
N5	634	673	362	323	812	1129	1655	1877
P2	673	713	384	343	861	1198	1757	1992
P3	713	763	407	364	913	1269	1861	2110

### Notes

- LEDs are measured at 25°C ambient temperature with 1500 mA 20ms single pulse. The measured values are correlated to 1500 mA at 85°C junction temperature (T<sub>j</sub>). Luminus maintains a ±6% tolerance on flux measurement.
- Flux values at other junction temperature (T<sub>j</sub>) and/or forward current conditions are calculated and for reference only.

## Forward Voltage Binning

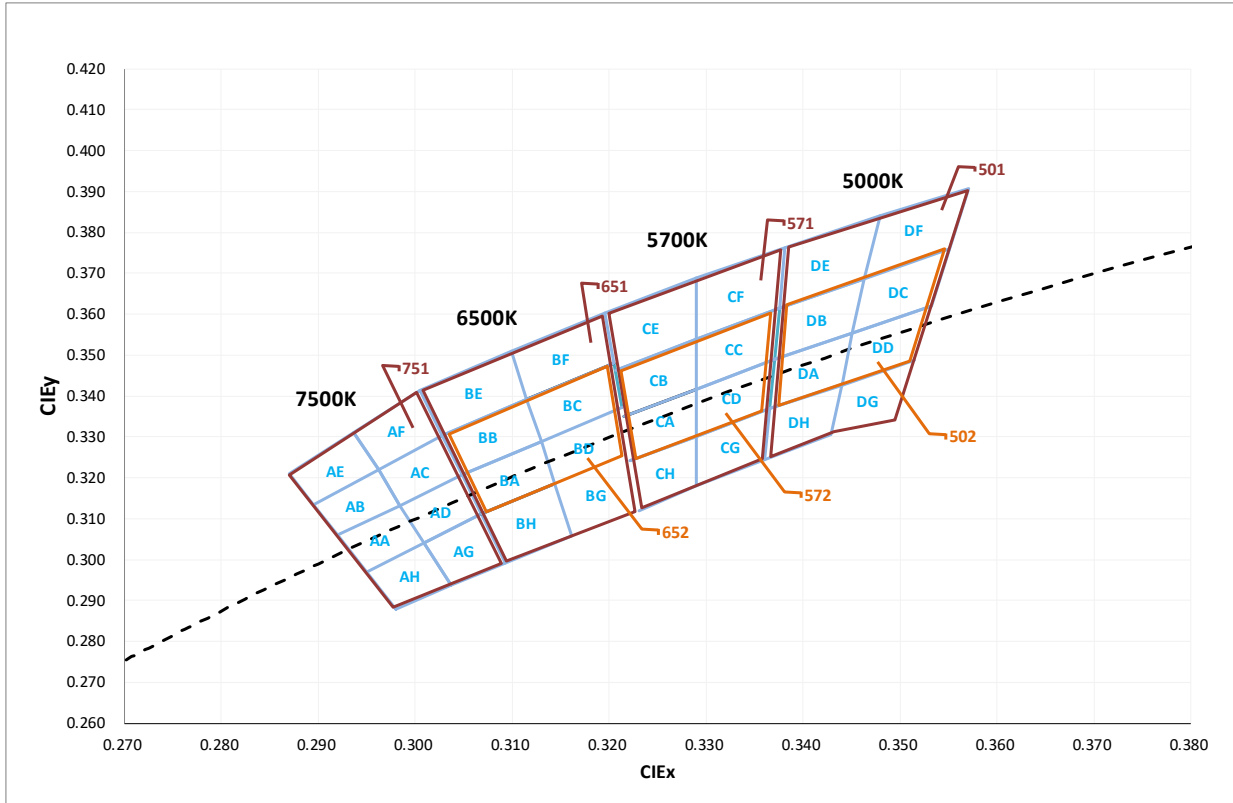
Voltage Bin Code	Binning @ 1500 mA, T <sub>j</sub> =85°C	
	Minimum Voltage (V)	Maximum Voltage (V)
VH	2.5	2.7
VJ	2.7	2.9
VK	2.9	3.1

Note: Individual voltage bins are not orderable.

**Chromaticity Binning Coordinates**

CCT	Bin Code	CIE <sub>x</sub>	CIE <sub>y</sub>	Bin Code	CIE <sub>x</sub>	CIE <sub>y</sub>	Bin Code	CIE <sub>x</sub>	CIE <sub>y</sub>	Bin Code	CIE <sub>x</sub>	CIE <sub>y</sub>
5000	DA	0.3371	0.349	DB	0.3376	0.3616	DC	0.3463	0.3687	DD	0.3451	0.3554
		0.3451	0.3554		0.3463	0.3687		0.3551	0.376		0.3533	0.362
		0.344	0.3427		0.3451	0.3554		0.3533	0.362		0.3515	0.3487
		0.3366	0.3369		0.3371	0.349		0.3451	0.3554		0.3440	0.3427
	DH	0.3366	0.3369	DE	0.3381	0.3762	DF	0.348	0.384	DG	0.344	0.3428
		0.344	0.3428		0.348	0.384		0.3571	0.3907		0.3515	0.3487
		0.3429	0.3307		0.3463	0.3687		0.3551	0.376		0.3495	0.3339
		0.3361	0.3245		0.3376	0.3616		0.3463	0.3687		0.3429	0.3307
5700	CA	0.3215	0.335	CB	0.3207	0.3462	CC	0.329	0.3538	CD	0.329	0.3417
		0.329	0.3417		0.329	0.3538		0.3376	0.3616		0.3371	0.349
		0.329	0.33		0.329	0.3417		0.3371	0.349		0.3366	0.3369
		0.3222	0.3243		0.3215	0.335		0.329	0.3417		0.3290	0.3300
	CH	0.3222	0.3243	CE	0.3196	0.3602	CF	0.329	0.369	CG	0.329	0.33
		0.329	0.33		0.329	0.369		0.3381	0.3762		0.3366	0.3369
		0.329	0.318		0.329	0.3538		0.3376	0.3616		0.3361	0.3245
		0.3231	0.312		0.3207	0.3462		0.329	0.3538		0.3290	0.3180
6500	BA	0.3048	0.3207	BB	0.3028	0.3304	BC	0.3115	0.3391	BD	0.313	0.329
		0.313	0.329		0.3115	0.3391		0.3205	0.3481		0.3213	0.3373
		0.3144	0.3186		0.313	0.329		0.3213	0.3373		0.3221	0.3261
		0.3068	0.3113		0.3048	0.3207		0.313	0.329		0.3144	0.3186
	BH	0.3068	0.3113	BE	0.3005	0.3415	BF	0.3099	0.3509	BG	0.3144	0.3186
		0.3144	0.3186		0.3099	0.3509		0.3196	0.3602		0.3221	0.3261
		0.3161	0.3059		0.3115	0.3391		0.3205	0.3481		0.3231	0.312
		0.3093	0.2993		0.3028	0.3304		0.3115	0.3391		0.3161	0.3059
7500	AA	0.295	0.297	AB	0.292	0.306	AC	0.2984	0.3133	AD	0.2984	0.3133
		0.292	0.306		0.2895	0.3135		0.2962	0.322		0.3048	0.3207
		0.2984	0.3133		0.2962	0.322		0.3028	0.3304		0.3068	0.3113
		0.3009	0.3042		0.2984	0.3133		0.3048	0.3207		0.3009	0.3042
	AH	0.298	0.288	AE	0.2895	0.3135	AF	0.2962	0.322	AG	0.3037	0.2937
		0.295	0.297		0.287	0.321		0.2937	0.3312		0.3009	0.3042
		0.3009	0.3042		0.2937	0.3312		0.3005	0.3415		0.3068	0.3113
		0.3037	0.2937		0.2962	0.322		0.3028	0.3304		0.3093	0.2993

## Chromaticity Binning Diagram



## Chromaticity Bin Kit Codes

CCT	Bin Kit	Chromaticity Bins
5000K	501	DA, DB, DC, DD, DE, DF, DG, DH
	502	DA, DB, DC, DD
5700K	571	CA, CB, CC, CD, CE, CF, CG, CH
	572	CA, CB, CC, CD
6500K	651	BA, BB, BC, BD, BE, BF, BG, BH
	652	BA, BB, BC, BD
7500K	751	AA, AB, AC, AD, AE, AF, AG, AH

Note: Luminus maintains a tolerance of  $\pm 0.005$  on chromaticity (CIE<sub>x</sub>, CIE<sub>y</sub>), and  $\pm 2$  on Color Rendering Index (CRI) measurements.

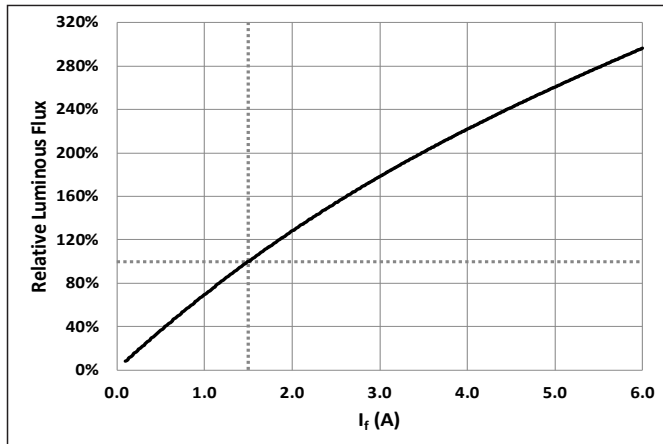
**Product Characteristics**

Parameter	Symbol	Minimum	Typical	Maximum	Unit
Viewing Angle (FWHM)	$2\theta_{1/2}$		120		Degree
Color Rendering Index	CRI	65	70		
Thermal resistance (Electrical) Junction/Solder Point	$R_{thjs-EL}$		0.8		°C/W
Junction Temperature	$T_j$			150	°C
Forward Voltage (@ $I_f=1500$ mA, $T_j=85^\circ\text{C}$ )	$V_f$	2.6	2.9	3.1	V
DC Forward Current	$I_f$	0.2		6	A
Surge Current (t < 10 ms, Duty Cycle < 10%)	$I_{s-max}$			8	A
Reverse Voltage ( $I_r=10$ mA)	$V_r$			5	V
Power Dissipation	$P_d$			20	W
Operating Temperature	$T_{opr}$	-40		100	°C
Storage Temperature	$T_{stg}$	-40		100	°C
ESD withstand Voltage HBM Per ANSI/ESDA/JEDEC JS-001	$V_{HBM}$	8			kV
ESD withstand Voltage CDM Per ANSI/ESDA/JEDEC JS-002	$V_{CDM}$	1			kV

## Optical & Electrical Characteristics

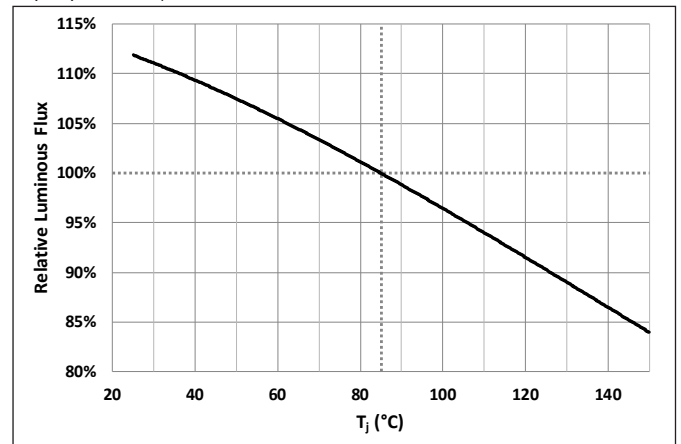
### Relative Luminous Flux vs. Forward Current

$\Phi_v/\Phi_v(1.5\text{ A}), T_j = 85^\circ\text{C}$



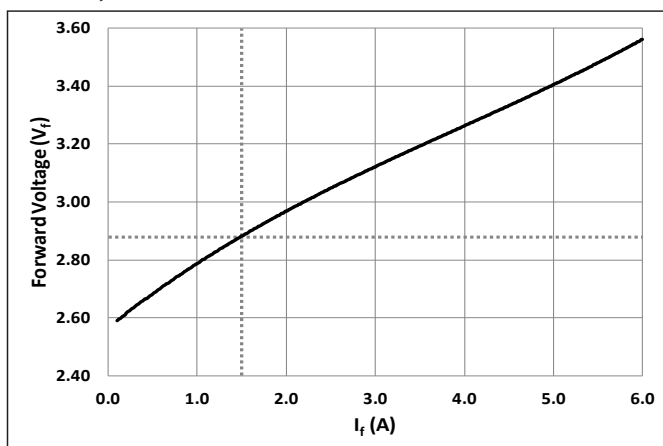
### Relative Luminous Flux vs. Temperature( $T_j$ )

$\Phi_v/\Phi_v(85^\circ\text{C}), I_f=1.5\text{ A}$



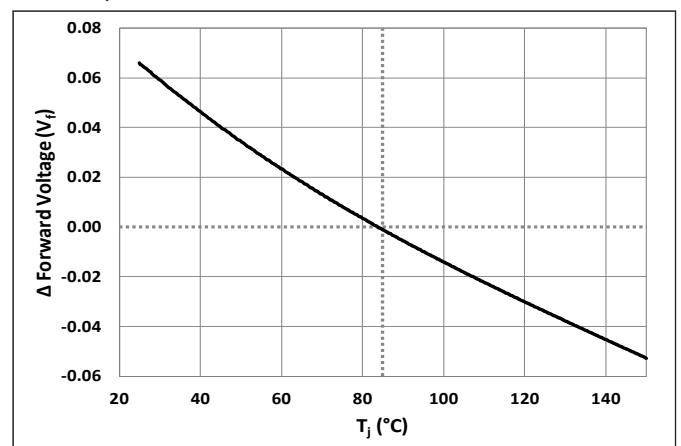
### Forward Voltage vs. Forward Current

$V_f=f(I_f), T_j=85^\circ\text{C}$



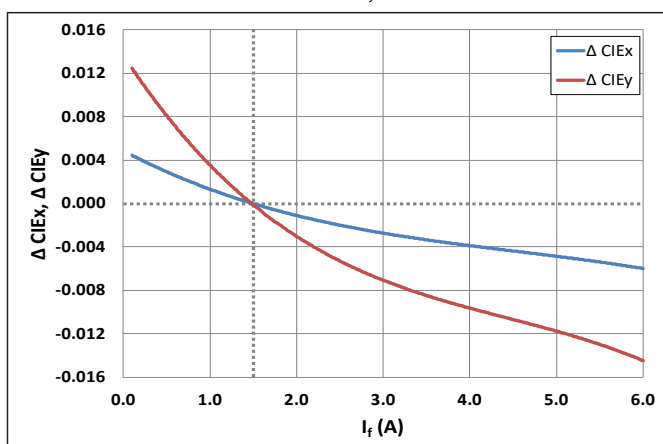
### Relative Forward Voltage vs. Temperature( $T_j$ )

$\Delta V_f=V_f(T_j)-V_f(85^\circ\text{C}), I_f=1.5\text{ A}$



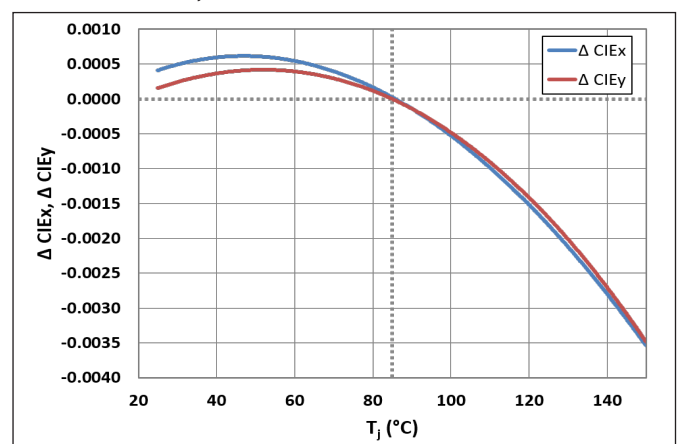
### Relative Chromaticity vs. Forward Current

$\Delta\text{CIEx,y}=\text{CIEx,y}(I_f)-\text{CIEx,y}(1.5\text{ A}), T_j=85^\circ\text{C}$



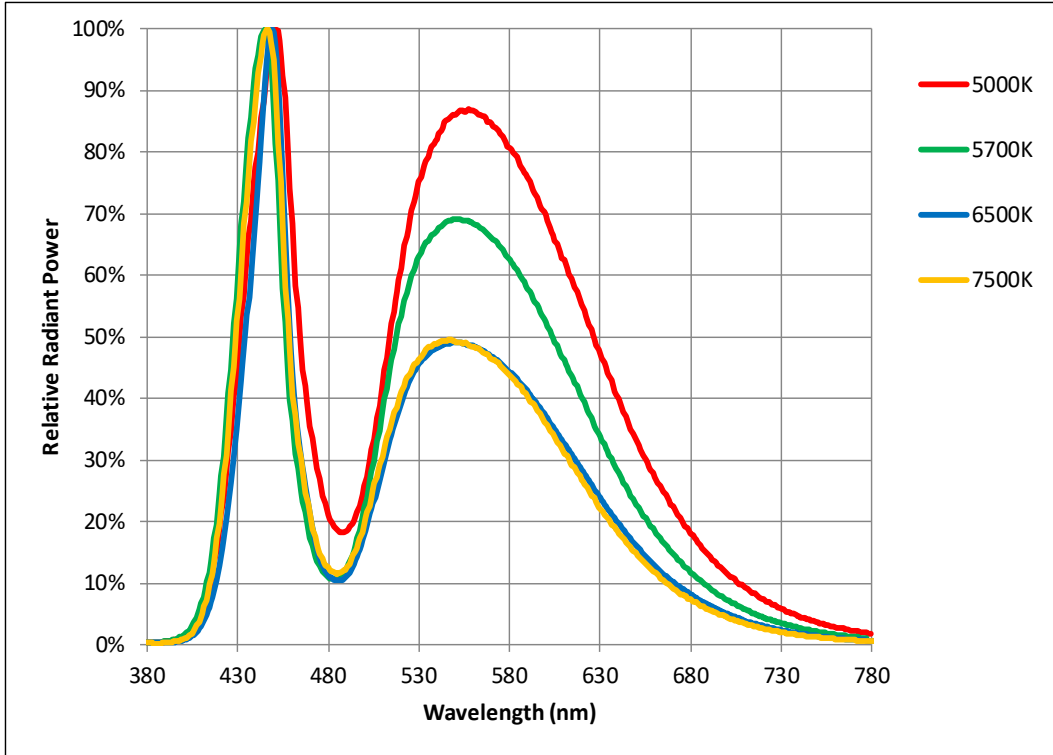
### Relative Chromaticity vs. Temperature( $T_j$ )

$\Delta\text{CIEx,y}=\text{CIEx,y}(T_j)-\text{CIEx,y}(85^\circ\text{C}), I_f=1.5\text{ A}$



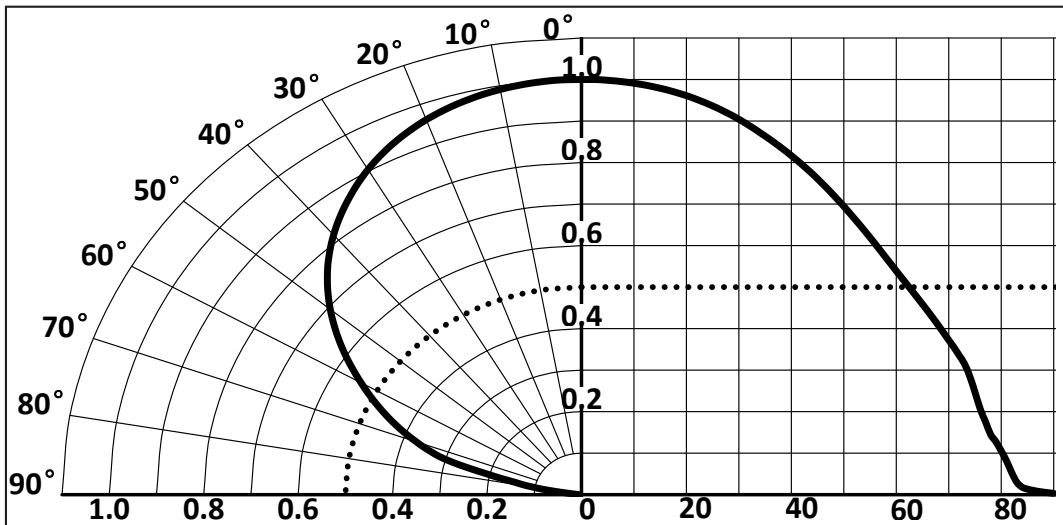
### Relative Spectral Power Distribution

$I_f=1.5\text{ A}, T_j=85^\circ\text{C}$



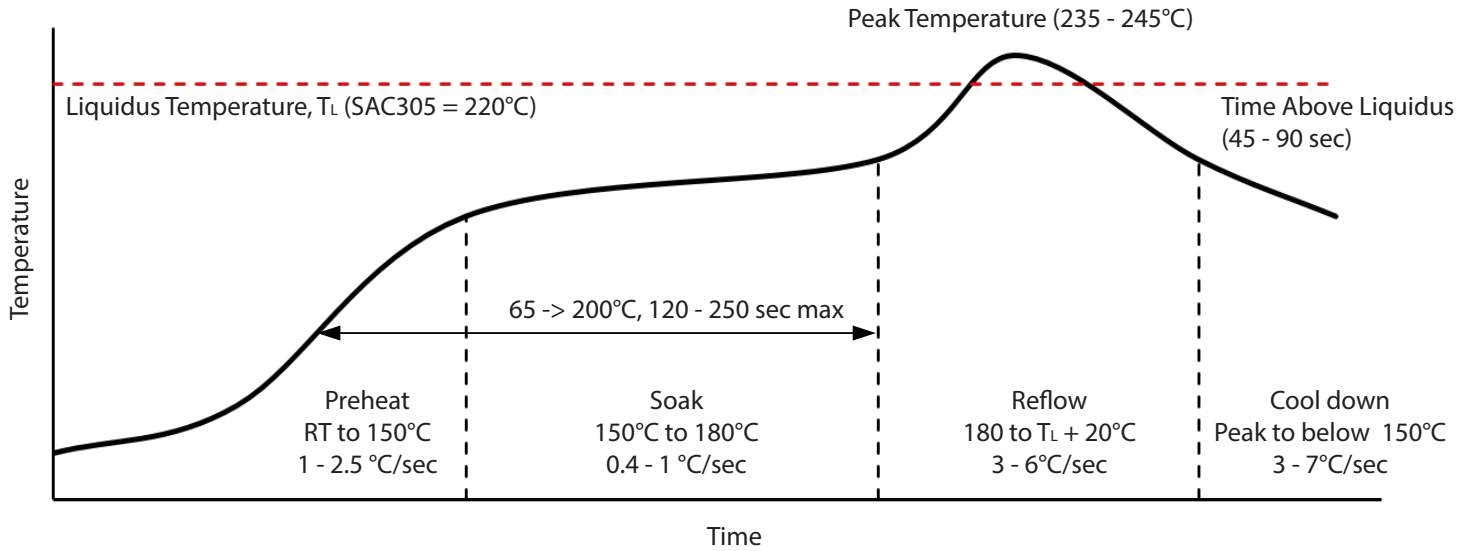
### Typical Radiation Characteristics

$I_f=1.5\text{ A}, T_j=25^\circ\text{C}$





## Soldering Profile



SMT Rework Guideline	Manual Hotplate Reflow	Hot Air Gun Reflow
Heating Time	< 60 sec	
Hotplate Temperature	< 245°C	< 150°C

### Notes

- Product complies to Moisture Sensitivity Level 3 (MSL 3).
- The numbers in the table are specific to SAC305. Luminus recommends using an SAC305 solder paste with a no-clean flux for RoHS compliant products.
- During the pick and place process, axial forces on the dome (or window) should not exceed 0.5 Newtons (N).
- Use of a multi-zone IR reflow oven with a nitrogen blanket is recommended.
- Time-temperature profile of the reflow process showing the four functional profile zones are defined in IPC-7801. Temperature is referenced to the center of the PCB.
- Luminus recommends to use the solder paste data sheet information as a starting point in time-temperature process development.
- These are general guidelines. Consult the solder paste manufacturer's datasheet for guidelines specific to the alloy and flux combination used in your application. For more information, please refer to: <https://luminusdevices.zendesk.com/hc/en-us/articles/360060306692-How-do-I-Reflow-Solder-Luminus-SMD-Components->
- For any technical questions about soldering process, please contact Luminus at techsupport@luminus.com.

## Precautions for Use

### Storage:

#### 1. Before opening the package

The LEDs should be kept at a temperature lower than 40°C and relative humidity lower than 90%. The LEDs should be used within a year. When storing the LEDs, moisture proof package with absorbent material (silica gel) is recommended.

#### 2. After opening the package

The LEDs should be kept at a temperature lower than 30°C and relative humidity lower than 60%. The LEDs should be soldered within 168 hours (7 days) after opening the moisture proof package.

If unused LEDs remain, they should be stored in moisture proof packages, such as sealed containers with moisture absorbent material (silica gel). It is also recommended to return the unused LEDs to the original moisture proof package and to seal it again.

If the moisture absorbent material (silica gel) vaporizes or passes the expiration date, baking treatment should be performed by using the following conditions : 60°C for 20 hours.

The LED's electrode and lead frame comprise a silver plated copper alloy. The silver surface may be affected by environments. Please avoid conditions which may cause the LEDs to corrode or discolor. The corrosion or discoloration might lower solderability or affect optical characteristics.

Please avoid rapid transition in ambient temperature, especially in high humidity environments where condensation can occur.

### Static Electricity:

1. The products are sensitive to static electricity, and care should be taken when handling them.

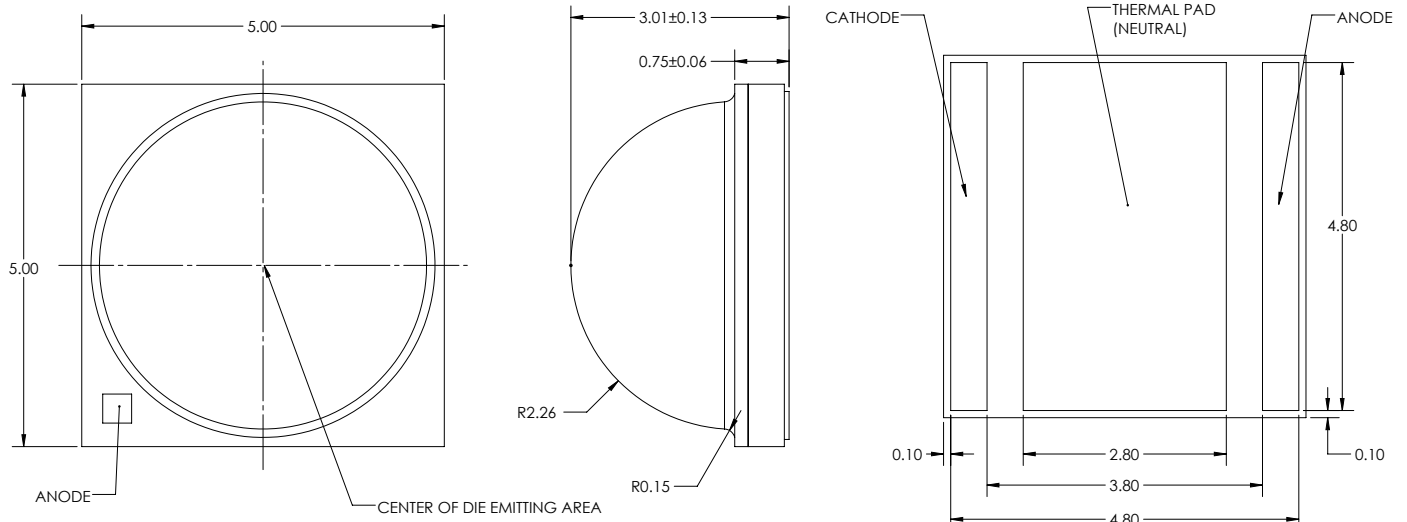
2. Static electricity or surge voltage will damage the LEDs. It is recommended to wear anti-electrostatic gloves or wristband when handling the LEDs.

3. All devices, equipment and machinery must be properly grounded. It is recommended that measures be taken against surge voltage to the equipment that mounts the LEDs.

## Package Configuration

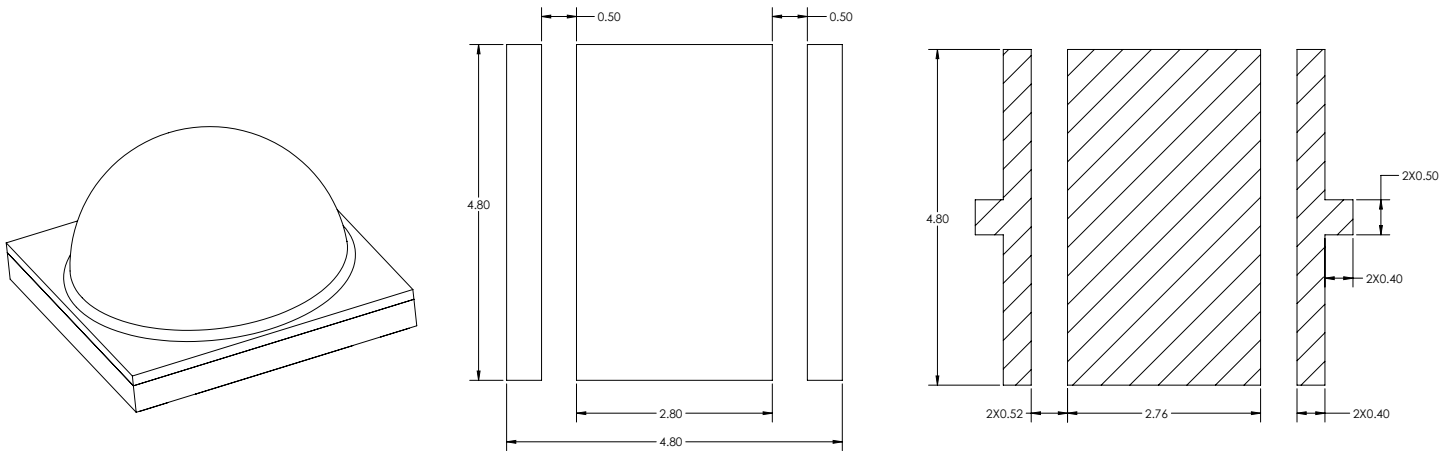
### Mechanical Dimensions

All dimensions are in millimeter  $\pm 0.13$  mm



### Recommended PCB Solder Pad and Stencil Pattern

All dimensions are in millimeter  $\pm 0.13$  mm

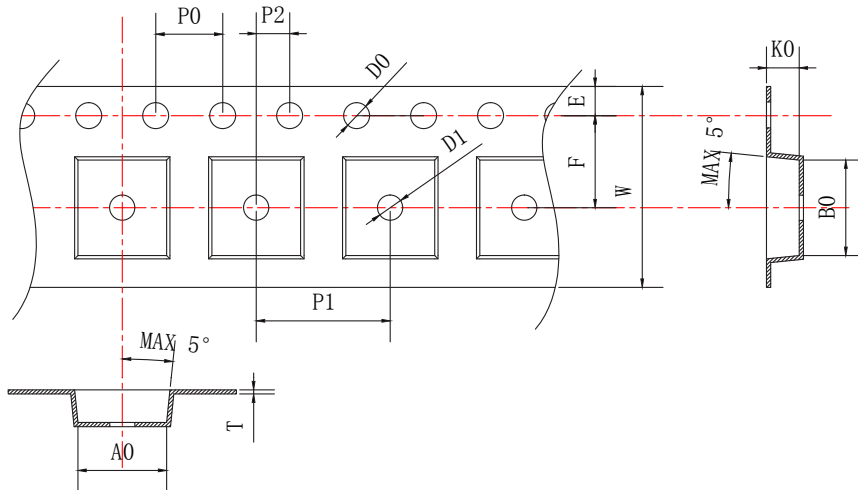


**RECOMMENDED PCB SOLDER PAD**

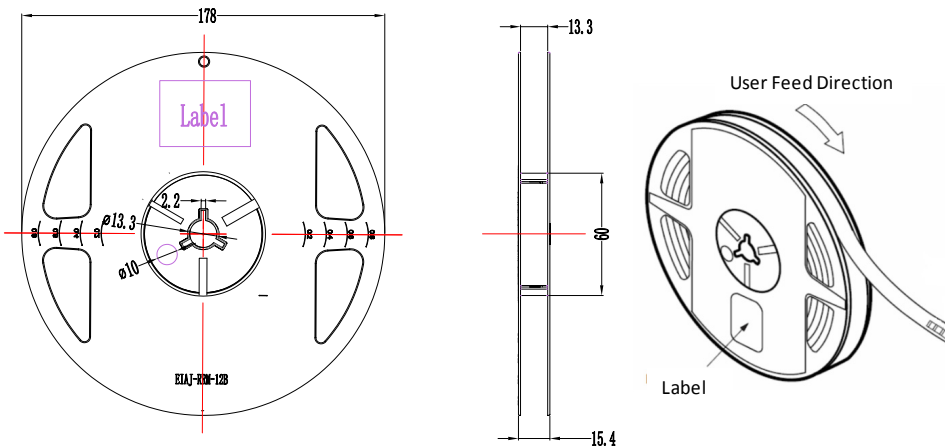
**RECOMMENDED STENCIL PATTERN**

## Tape and Reel

All dimensions are in millimeter  $\pm 0.13$  mm



Parameter	Dimension (mm)
A0	5.15 $\pm$ 0.1
B0	5.15 $\pm$ 0.1
D0	1.5+0.1-0.0
D1	1.7 $\pm$ 0.1
E	1.75 $\pm$ 0.1
F	5.5 $\pm$ 0.1
K0	3.0 $\pm$ 0.1
P0	4.0 $\pm$ 0.1
P1	8.0 $\pm$ 0.1
P2	2.0 $\pm$ 0.05
T	0.3 $\pm$ 0.05
W	12 $\pm$ 0.03



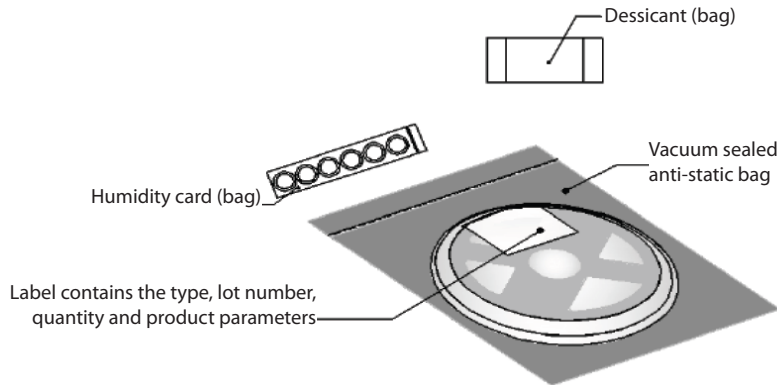
### Notes:

1. Each Reel contains 500 units of LEDs.
2. Black anti-static tape material (Denka ECM3/ECAP3)
3. The accumulated tolerance for ten chain holes should be no more than 0.2 mm.
4. The tortuosity of 250 mm tape should be no more than 1 mm.
5. Leave 160 mm of type empty for lead in (20 empty pockets)
6. Leave 480 mm of type empty for trailer (60 empty pockets)
7. All dimensions must comply to EIA-481-D
8. Final tape and reel packaging must meet the requirements of JEDEC-STD-033, LEVEL 2A.

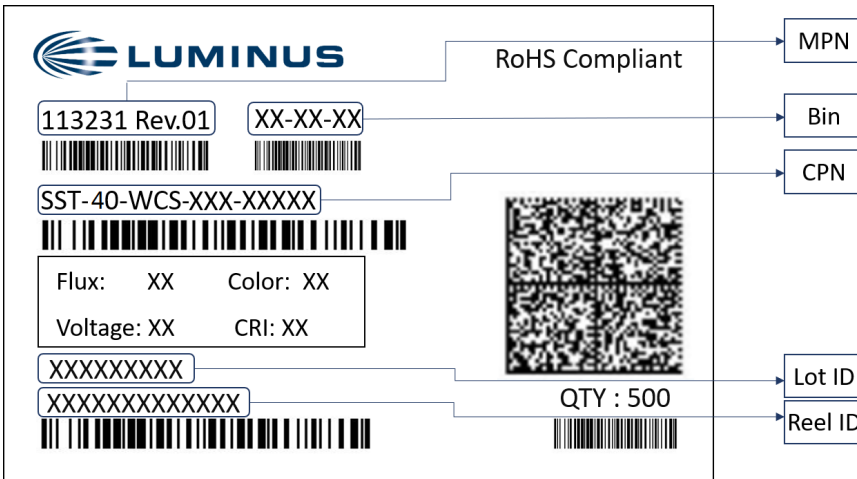
## Packaging and Labeling

### Packaged Reel

Each reel contains 500 units.



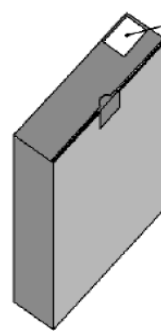
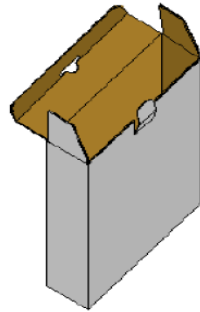
### Label on Reel



Label Information	
CPN	Luminus ordering part number
MPN	For Luminus internal use
QTY	Quantity of parts per reel
Flux	Single flux bin code (see <i>Luminous Flux Binning</i> table on page 3)
Voltage	Single voltage bin code (see <i>Forward Voltage Binning</i> table on page 3)
Color	Single chromaticity bin code (see <i>Chromaticity Bin Coordinates</i> table on page 4)
CRI	N/A
Lot ID & Reel ID	For Luminus internal use

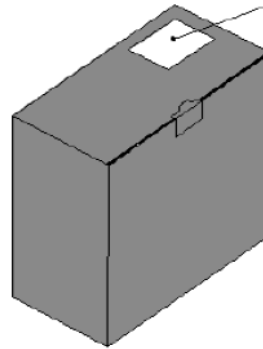
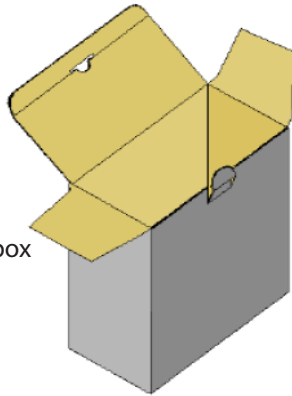
**Packaging Boxes**

**Box Size 1** - 5 reels per box  
Size: 22.5 x 24.5 x 6.5 cm



Label contains the type, lot number, quantity and product parameters

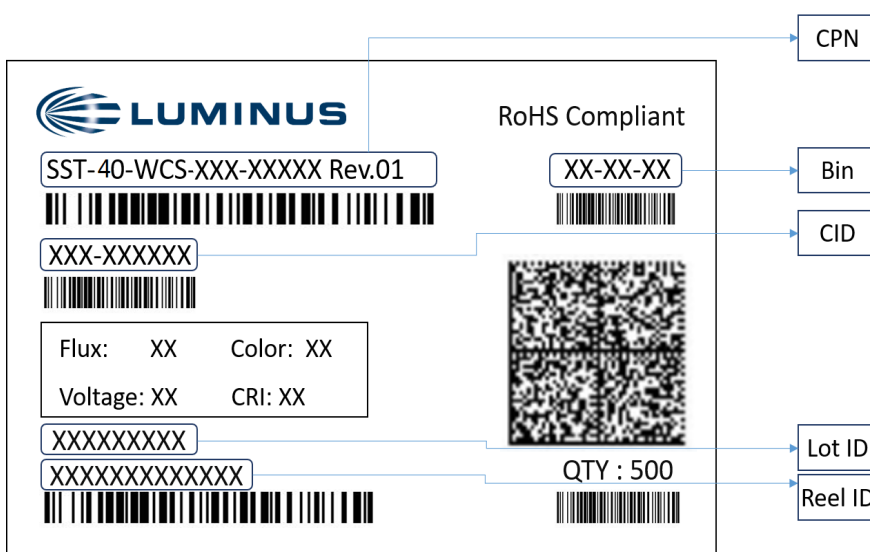
**Box Size 2** - 10 reels per box  
Size: 22.5 x 24.5 x 13 cm



Label contains the type, lot number, quantity and product parameters

**Shipping Label on Packaging Box**

Multiple labels are attached to the box (one label per reel inside the box)



Label Information	
CPN	Luminus ordering part number
CID	Customer ID
QTY	Quantity of parts per reel
Flux	Single flux bin code (see <i>Luminus Flux Binning</i> table on page 3)
Voltage	Single voltage bin code (see <i>Forward Voltage Binning</i> table on page 3)
Color	Single chromaticity bin code (see <i>Chromaticity Bin Coordinates</i> table on page 4)
CRI	N/A
Lot ID & Reel ID	For Luminus internal use