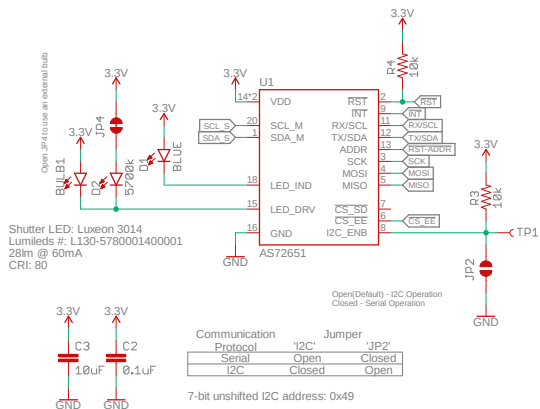
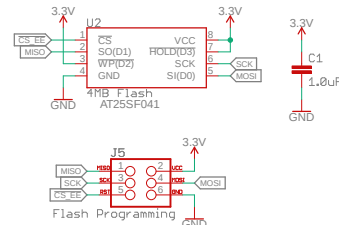


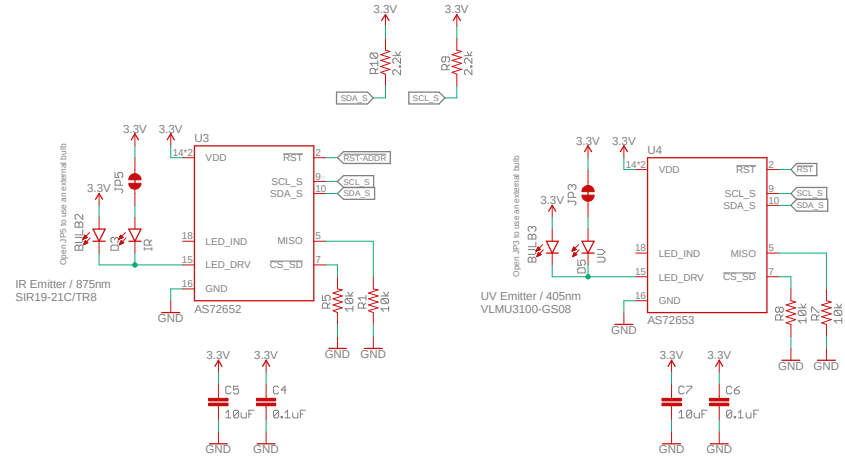
AS7265x Spectral Sensor



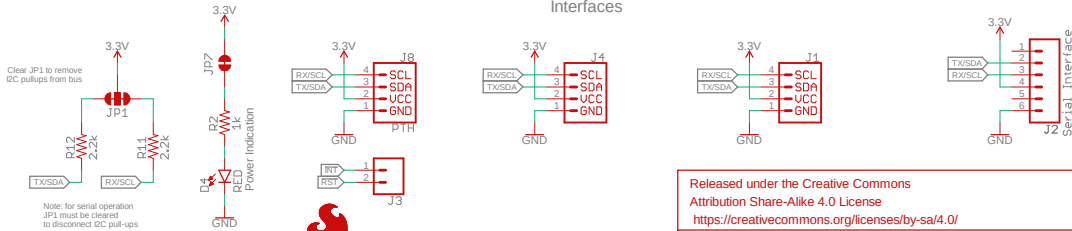
4mbit Flash Memory



The AS7261 must be held in reset while programming flash



Interfaces



Released under the Creative Commons Attribution Share-Alike 4.0 License
<https://creativecommons.org/licenses/by-sa/4.0/>

TITLE: **Quicc_Spectral_Sensor-AS7265x**

Design by: Nathan Seidle REV: X10

Date: 11/1/2018 11:04 AM Sheet: 1/1

