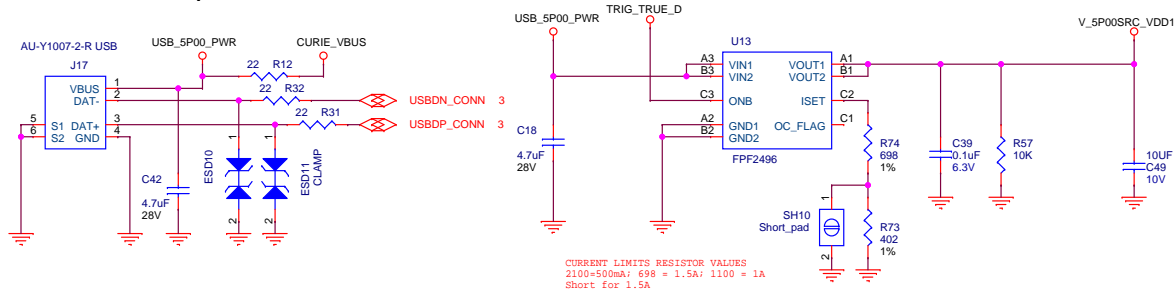


Intel® Curie™ Design Document

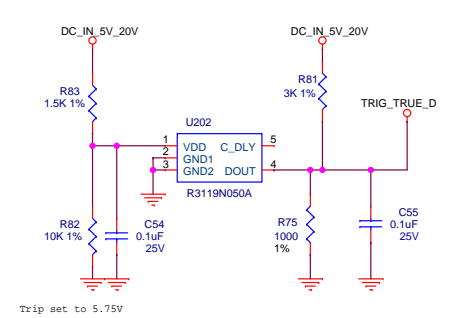
This Intel® Curie™ design document is licensed by Intel under the terms of the Creative Commons Attribution Share-Alike License (v1.0), subject to the following terms and conditions. The Intel® Curie™ design document IS PROVIDED "AS IS" AND "WITH ALL FAULTS." Intel DISCLAIMS ALL OTHER WARRANTIES, EXPRESS OR IMPLIED REGARDING THE CURIE DESIGN OR THIS CURIE DESIGN DOCUMENT INCLUDING, BUT NOT LIMITED TO, ANY IMPLIED WARRANTIES OF MERCHANTABILITY OR FITNESS FOR A PARTICULAR PURPOSE. Intel® may make changes to the specifications, schematics and product descriptions at any time, without notice. The Customer must not rely on the absence or characteristics of any features or instructions marked "reserved" or "undefined." Intel® reserves these for future definition and shall have no responsibility whatsoever for conflicts or incompatibilities arising from future changes to them. ENJOY!

INTEL		New Devices Group	
		ARDUNIO 101	
Size	CAGE Code	DWG NO	Rev
Custom		SCHEM FOR TA-H94227	1
Tuesday, November 10, 2015	Scale	Sheet	1 of 4

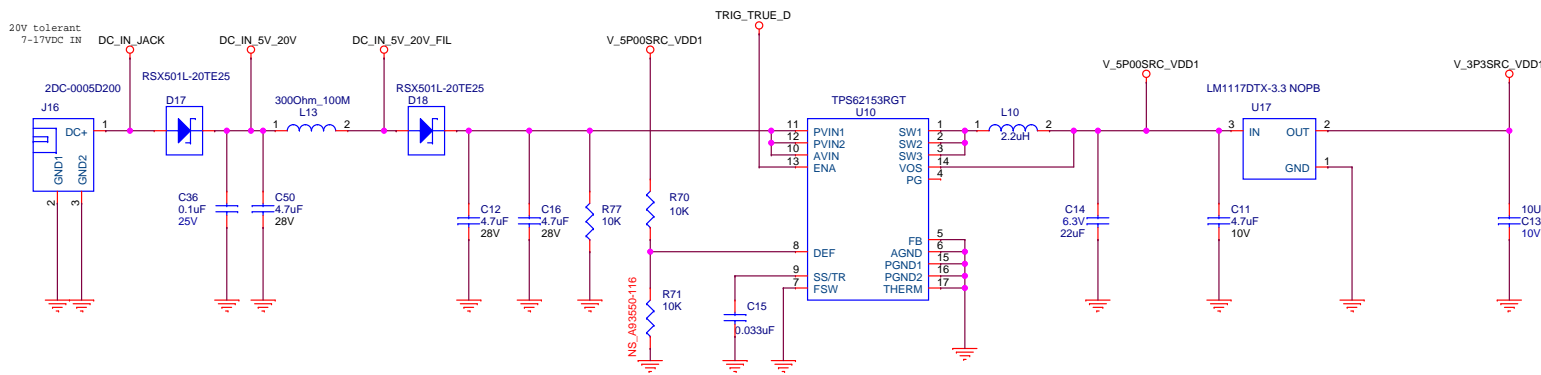
USB Power Input



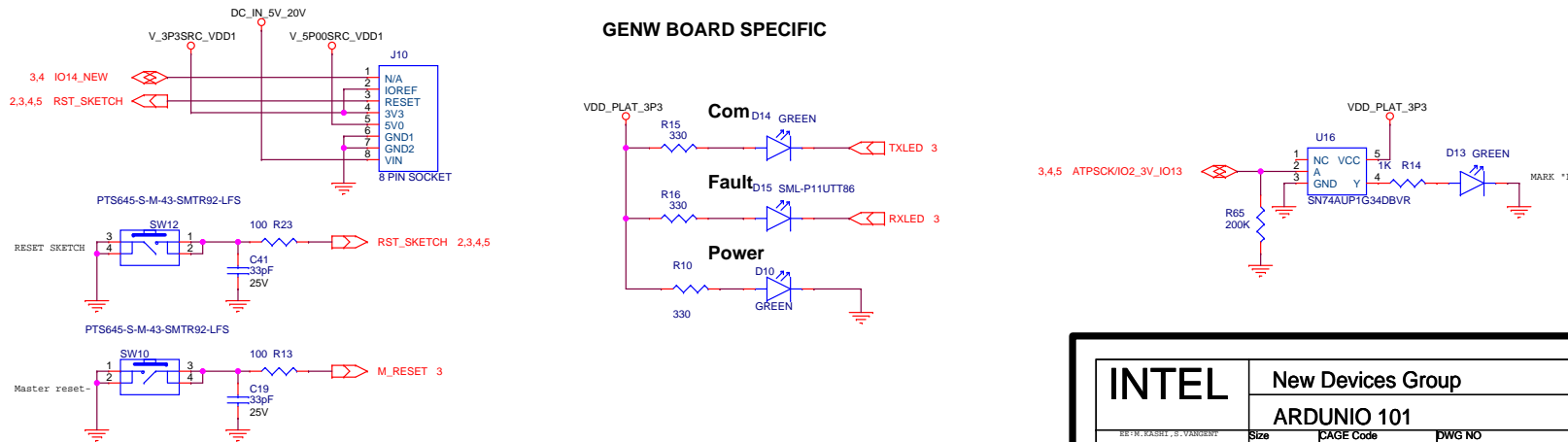
Power Input SEL



Barrel Power Input

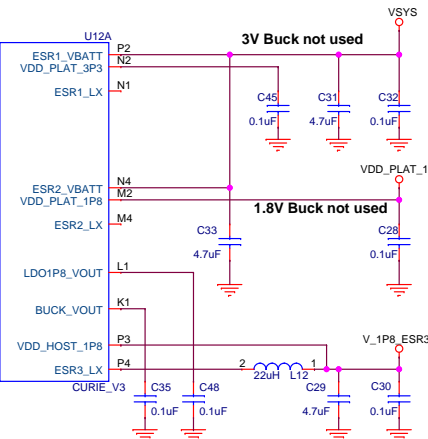
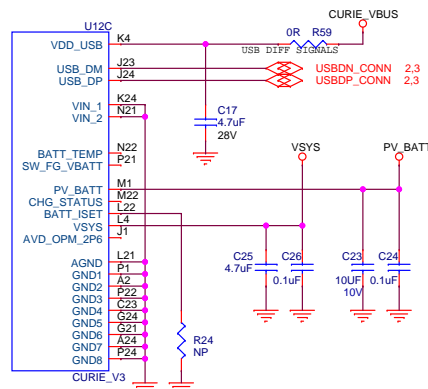
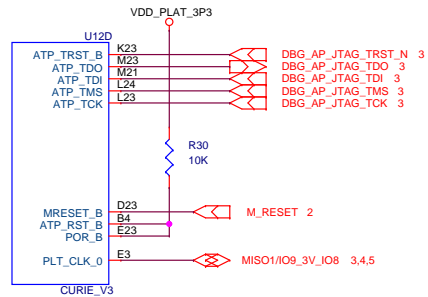


GENW BOARD SPECIFIC

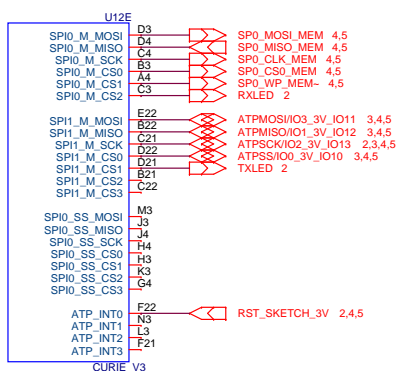
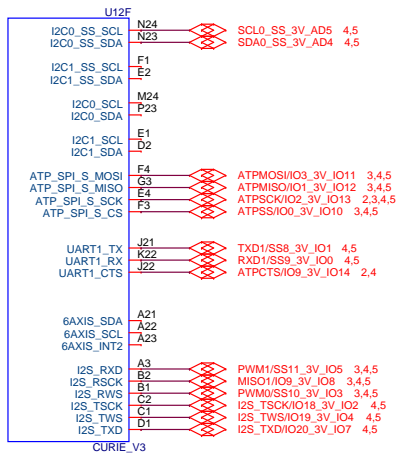
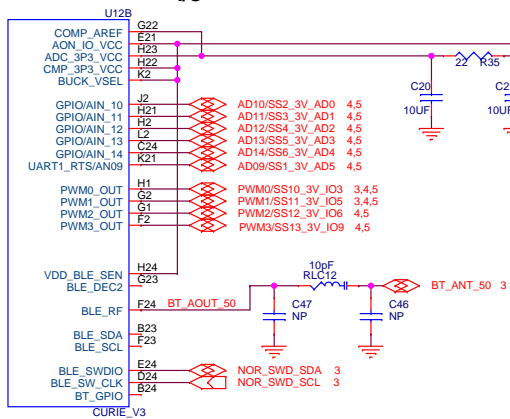


INTEL		New Devices Group	
		ARDUNIO 101	
DATE: KABL1_8-VARIANT	Size	CAGE Code	DWG NO
Custom			SCHEM FOR TA-H94227
Tuesday, November 10, 2015		Scale	Sheet 2 of 4

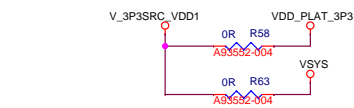
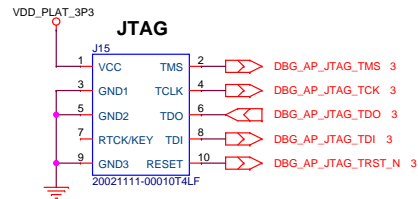
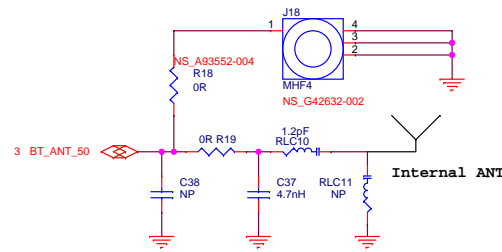
Power and reset



I/O



Antenna



Test Points

- 3 NOR_SW_D_SDA
- 3 NOR_SW_D_SCL

Test JTAG

- 3 DBG_AP_JTAG_TMS
- 3 DBG_AP_JTAG_TCK
- 3 DBG_AP_JTAG_TDO
- 3 DBG_AP_JTAG_TDI
- 3 DBG_AP_JTAG_TRST_N
- 2,3 USB_DN_CONN
- 2,3 USB_DP_CONN

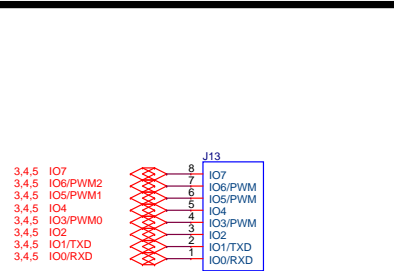
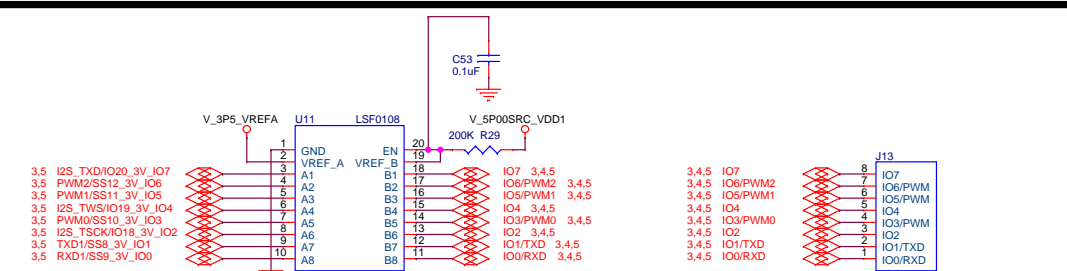
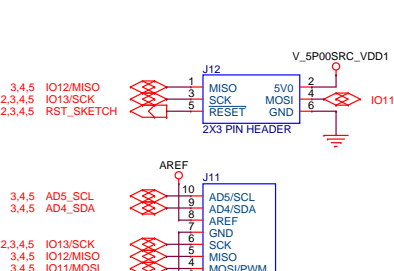
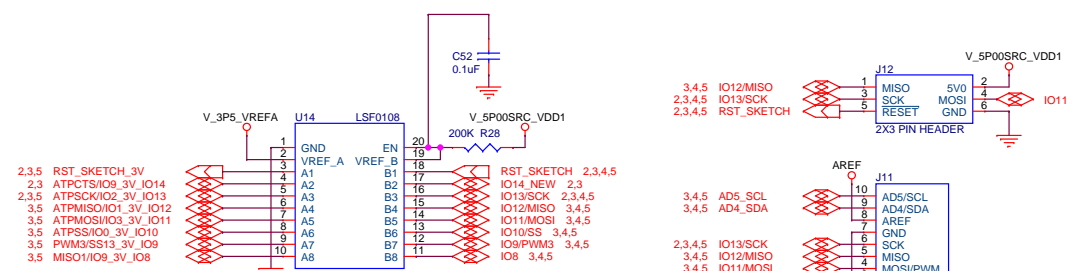
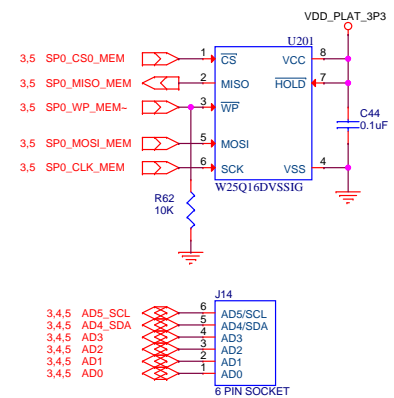
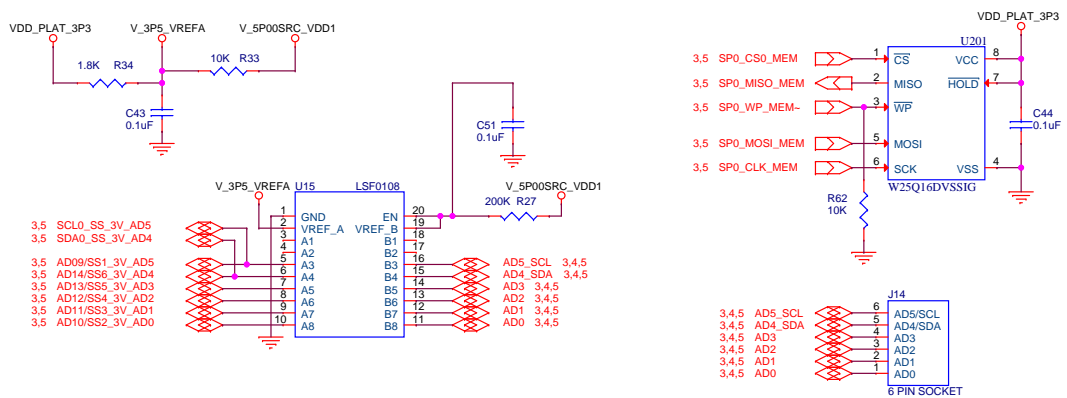
- USB_5P00_PWR
- DC_IN_JACK
- VDD_PLAT_3P3
- TPB10
- TPB11
- TPB12
- TPB13
- TPB14
- TPB15
- TPB16
- TPB17
- TPB18
- TPB19
- TPB20
- TPB21
- TPB22
- TPB23

INTEL

New Devices Group

ARDUNIO 101

DATE: KABL1.8-VARIANT	Size	CAGE Code	DWG NO	Rev
Monday, November 09, 2015	Custom		SCHEM FOR TA-H94227	A
		Scale	Sheet	3 of 4



Intel® Curie™ Design Document

This Intel® Curie™ design document is licensed by Intel under the terms of the Creative Commons Attribution Share-Alike License (ver. 3), subject to the following terms and conditions. The Intel® Curie™ design document IS PROVIDED "AS IS" AND "WITH ALL FAULTS." Intel DISCLAIMS ALL OTHER WARRANTIES, EXPRESS OR IMPLIED REGARDING THE CURIE DESIGN OR THIS CURIE DESIGN DOCUMENT INCLUDING, BUT NOT LIMITED TO, ANY IMPLIED WARRANTIES OF MERCHANTABILITY OR FITNESS FOR A PARTICULAR PURPOSE. Intel® may make changes to the specifications, schematics and product descriptions at any time, without notice. The Customer must not rely on the absence or characteristics of any features or instructions marked "reserved" or "undefined." Intel® reserves these for future definition and shall have no responsibility whatsoever for conflicts or incompatibilities arising from future changes to them.

END/01

INTEL		New Devices Group	
		ARDUNIO 101	
Rev: 1	Size: Custom	CAGE Code: SCHEM FOR TA-H94227	DWG NO: 1
Tuesday, November 10, 2015	Scale:	Sheet: 4 of 4	