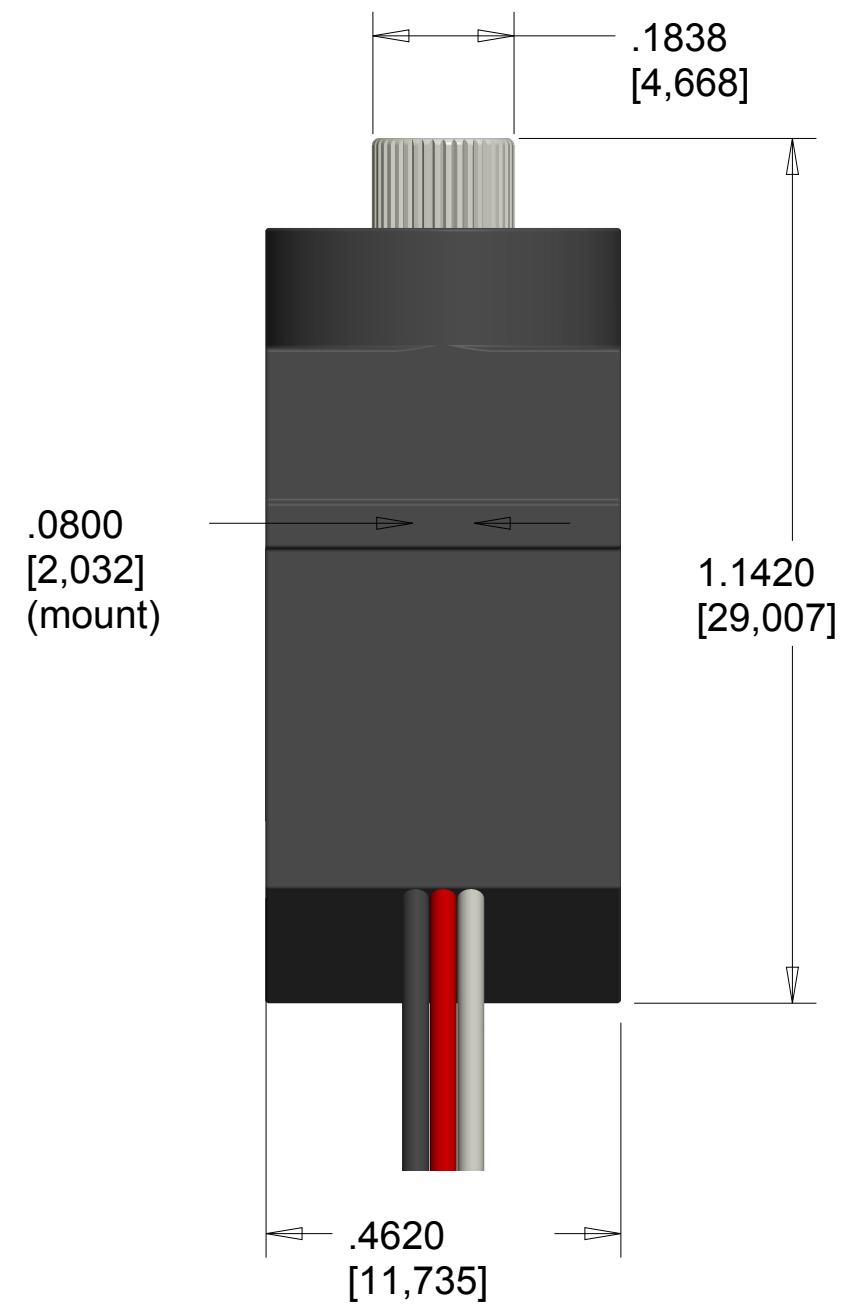
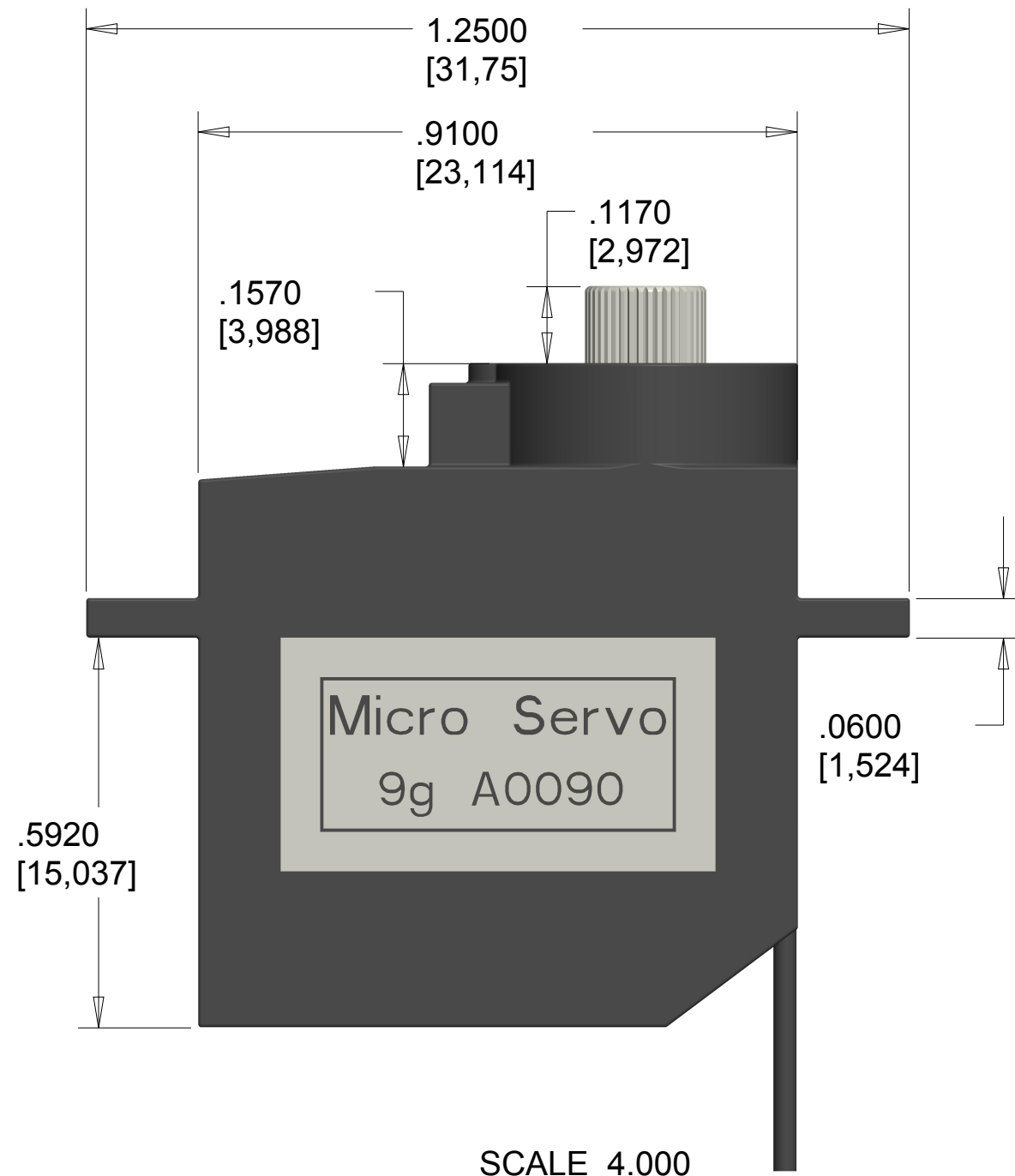
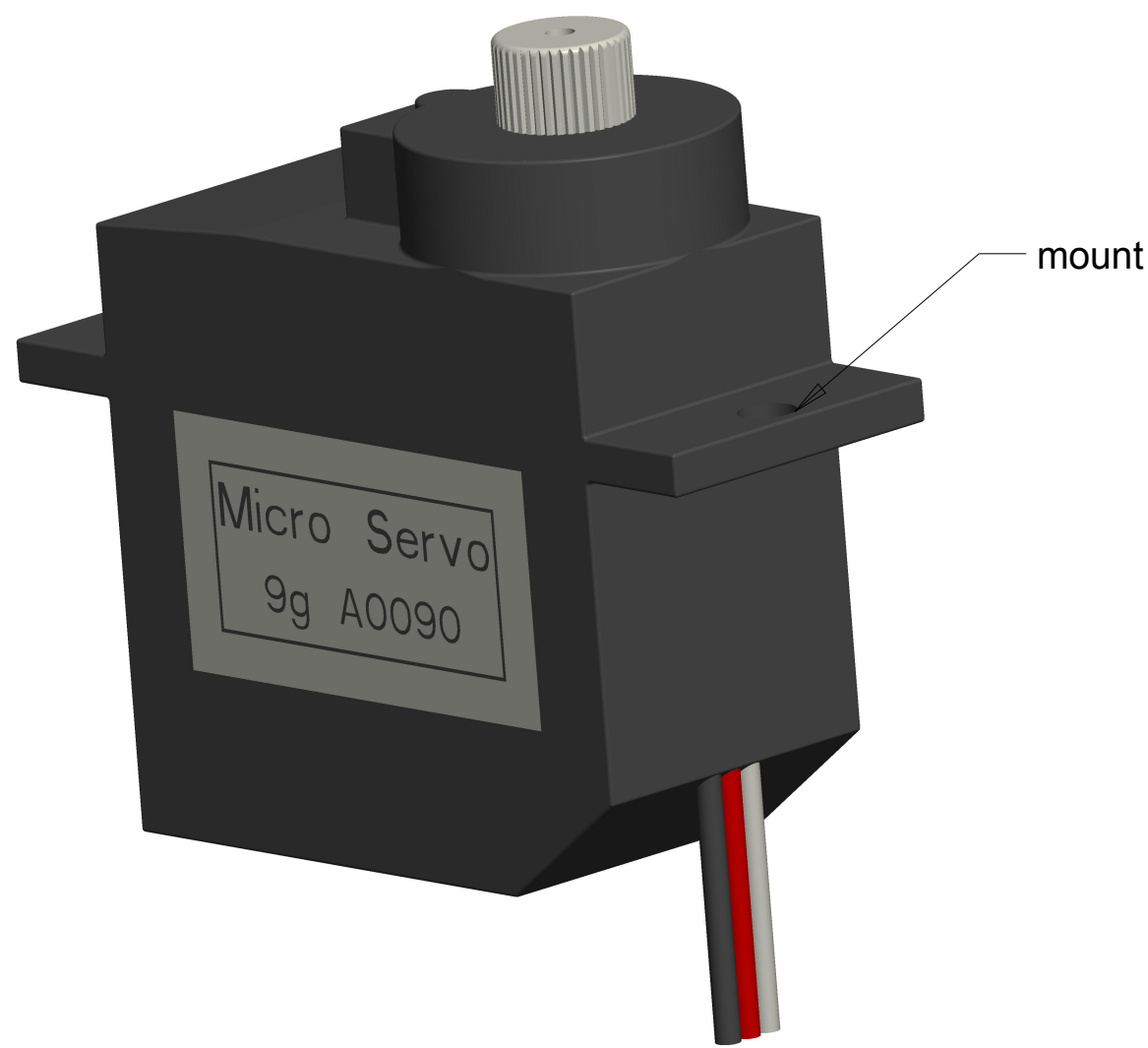


4

3

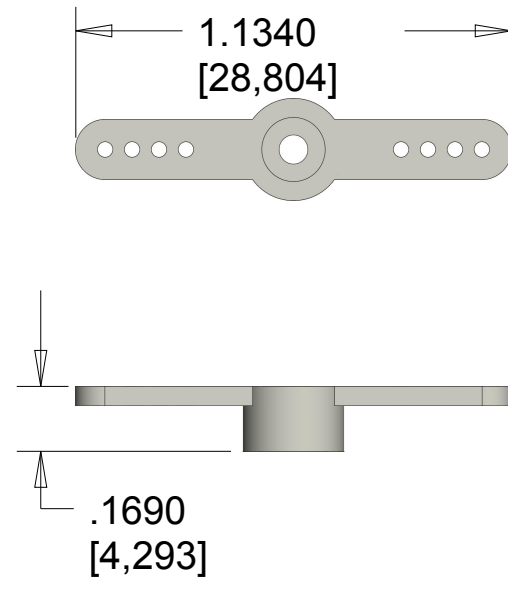
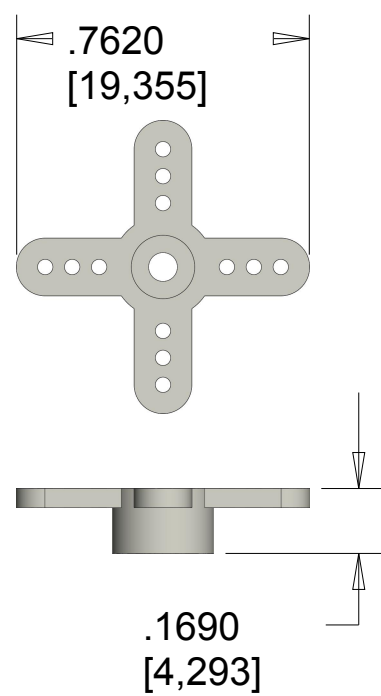
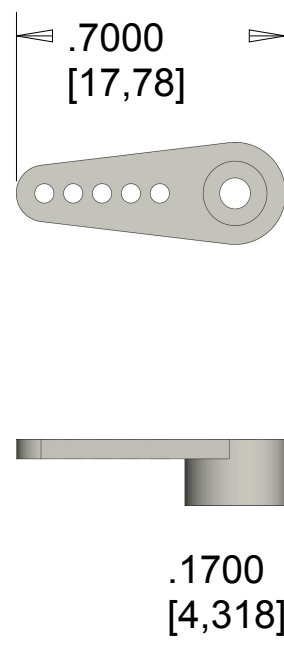
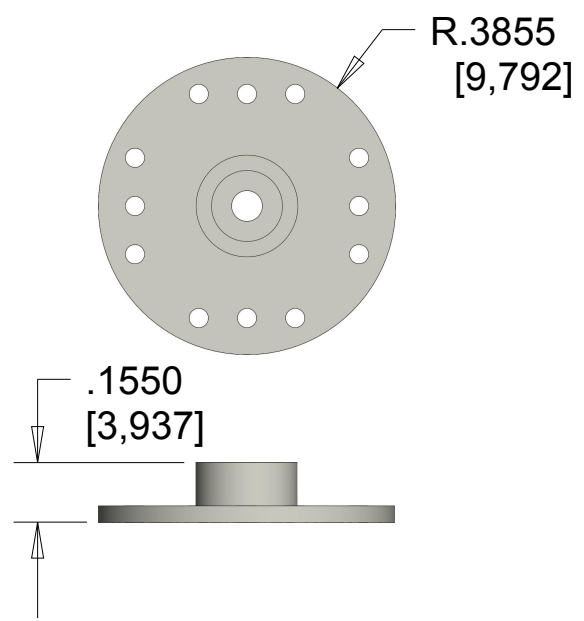
2

1



SCALE 2.000

SCALE 4.000



- Features —
 Voltage: 4.8-6.0 Volts
 Torque: 16.6/20.8 oz-in. (4.8/6.0V)
 Speed: 0.15/0.10 sec/60° (4.8/6.0V)
 Rotation: ~160°
 Single Top Ball Bearing
 Nylon Gears
 3-Pole Ferrite Motor

- Includes —
 1x Micro Servo
 1x Single Arm Micro Horn
 1x Double Arm Micro Horn
 1x Four Point Micro Horn
 1x Circle Micro Horn
 2x 2x8mm Phillips Screw

This servo is rated for 180° rotation, but in actuality it only hits ~160°	MATERIAL:	Plastic + Metal	MODEL NAME:	Servo - Small
	Here is a simple, low-cost, high quality servo for all your mechatronic needs. This servo is very similar in size and specifications to the Hitec HS-55. This little guy is able to take in 6 volts and deliver 20.8 oz-in. of maximum torque at 0.10 sec/60°. This small servo comes with a standard 3 pin power and control cable.		https://www.sparkfun.com/products/9065	
NOTES:	DESCRIPTION:		ROB-09065	
	DRAWN BY:	Paul Smith	PAGE SIZE C 22 x 17 INCH	
	DATE:	16 July 2013	SCALE: variable	
	CAD APPLICATION:	Creo Parametric 2.0	UNITS: inch [mm]	VER: 1.0
				SHEET 1 / 1

4

3

2

1