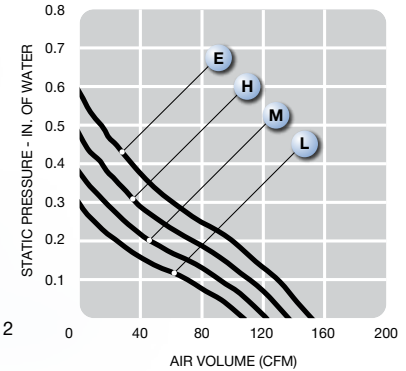
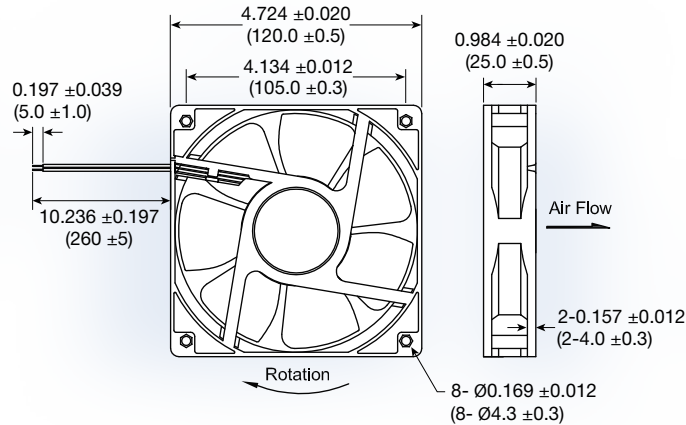


## MR1225 series



(120 x 120 x 25 mm)

4.72 x 4.72 x .98 inches

Features: soft start, polarity protection, auto-restart

Operating Voltage: 12 or 24 VDC

Construction: UL94V-0 plastic impeller and frame

Bearing option: ball bearing or sleeve

Air Flow: air exhaust over struts

Options: tachometer output or locked rotor alarm signal; PWM speed control

| Model No. | Rated Voltage<br>VDC | Current A |      | Speed<br>RPM | Air Volume           |     | Max. Static Pressure (H <sub>2</sub> O) |      | Sound Noise<br>dbA | Weight<br>g |
|-----------|----------------------|-----------|------|--------------|----------------------|-----|---|------|--------------------|-------------|
|           |                      | 12        | 24   |              | M <sup>3</sup> /Min. | CFM | MM                                      | INCH |                    |             |
| MR1225L   | 12/24                | 0.60      | 0.30 | 3,500        | 3.01                 | 107 | 7.45                                    | 0.29 | 47.2               | 125         |
| MR1225M   | 12/24                | 0.76      | 0.38 | 4,000        | 3.43                 | 122 | 9.68                                    | 0.38 | 50.5               | 125         |
| MR1225H   | 12/24                | 0.82      | 0.41 | 4,500        | 3.85                 | 136 | 12.19                                   | 0.48 | 53.8               | 125         |
| MR1225E   | 12/24                | 1.20      | 0.60 | 5,000        | 4.26                 | 151 | 14.99                                   | 0.59 | 56.6               | 125         |