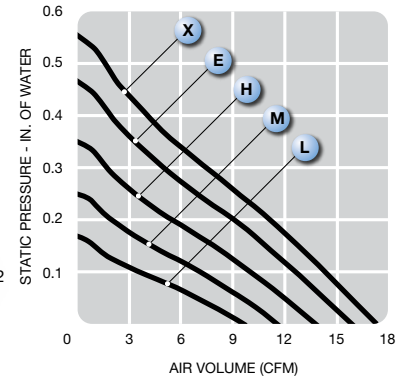
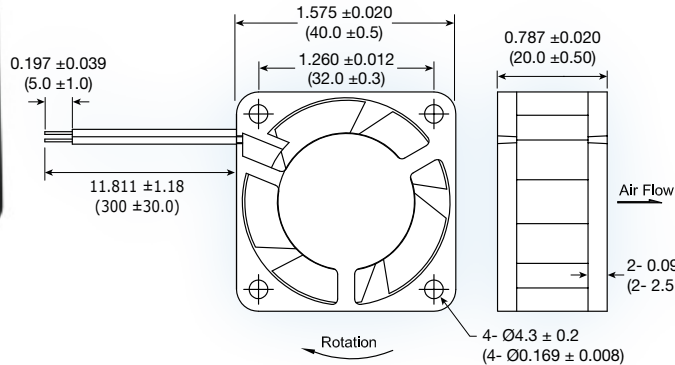


MR4020 series

**(40 x 40 x 20 mm)**

1.57 x 1.57 x .78 inches

Features: soft start, polarity protection, auto-restart

Operating Voltage: 12 or 24 VDC

Construction: UL94V-0 plastic impeller and frame

Bearing option: ball bearing or sleeve

Air Flow: air exhaust over struts

Options: tachometer output or locked rotor alarm signal; PWM speed control

Model No.	Rated Voltage VDC	Current A		Speed RPM	Air Volume		Max. Static Pressure (H ₂ O)		Sound Noise dba	Weight g
		12	24		M ³ /Min.	CFM	MM	INCH		
MR4020L	12	0.06	–	6,500	0.26	9.4	4.07	0.16	26.5	24
MR4020M	12/24	0.10	0.05	8,000	0.32	11.5	6.14	0.24	29.8	24
MR4020H	12/24	0.16	0.08	9,500	0.38	13.6	8.63	0.34	35.1	24
MR4020E	12/24	0.22	0.11	11,000	0.45	15.8	11.54	0.45	39.1	24
MR4020X	24	–	0.15	12,000	0.49	17.2	13.71	0.54	41.0	24